

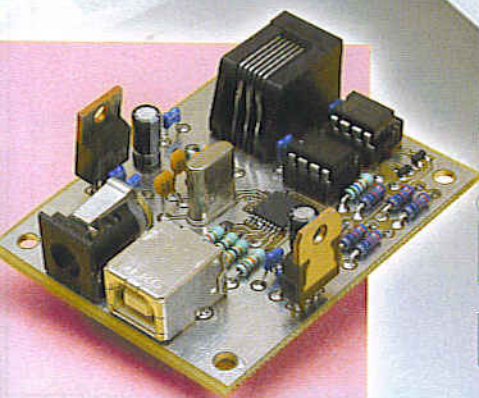
focus on

AUTOMATING your home

- Bus Systems
- I²C + PC in Control
- IR Remote Control

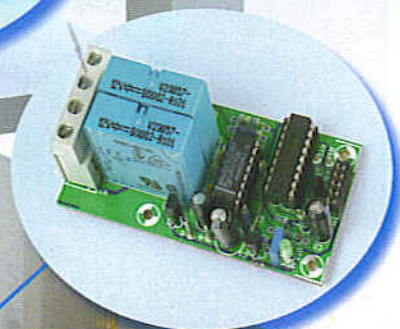
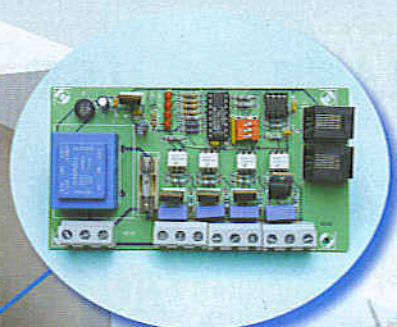
Xmas special

30 circuits & design ideas for the Christmas Holidays



USB / I²C interface

links chips to the PC



PAGM

The leaders in PIC development

FROM

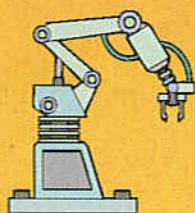
£99

- ◆ All you need to get started with PIC
- ◆ Industry standard/quality board
- ◆ Open the box and get coding
- ◆ Available with C compiler or use our PicScript to write programs using simple commands...

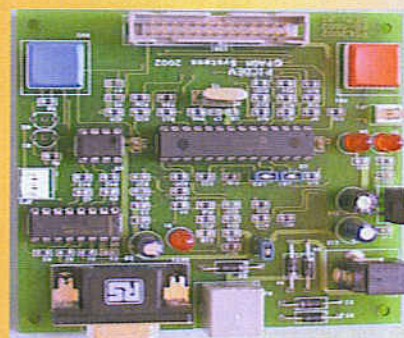
**NO ASSEMBLER,
NO COMPILER,
JUST WRITE AND RUN**



EASE OF USE



AUTOMATION



SCRIPTABILITY

PicDev Board with PicScript

£99.00 (plus p+p)

This is a complete development suite for the novice or non programmer.

It is shipped with:

- PicDev Board
- PicShell and PicScript software
- Breakout board
- Cables
- Example scripts

PicDev Board with C Compiler

£165.00 (plus p+p)

This is a complete development suite for the more advanced programmer.

It is shipped with:

- PicDev Board
- PicShell and PicScript software
- C compiler
- Breakout board
- Cables
- Example scripts
- ICD1

Both items require

- PC with serial port available
- Power supply adapter

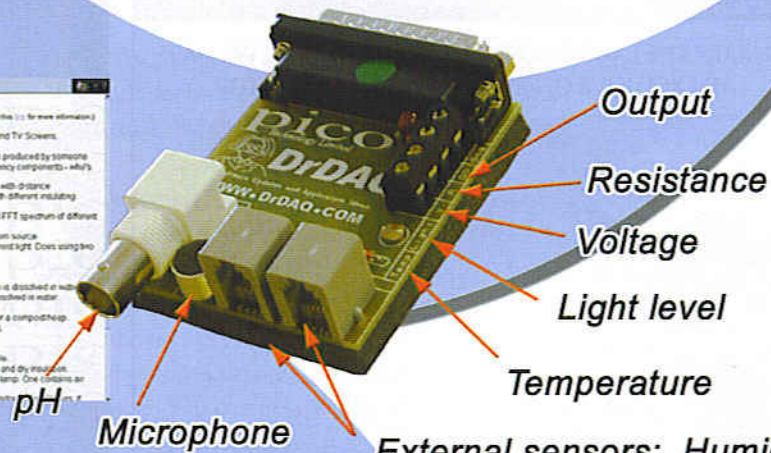
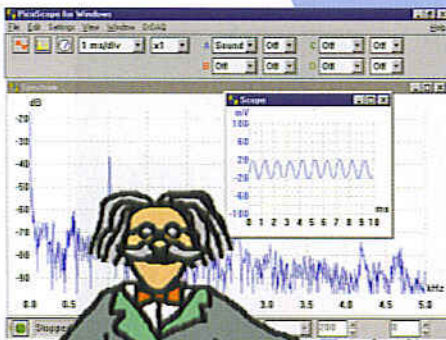
To order:

www.pagm.co.uk

sales@pagm.co.uk

Tel: +44 (0)1792 891927

DrDAQ Data Logger



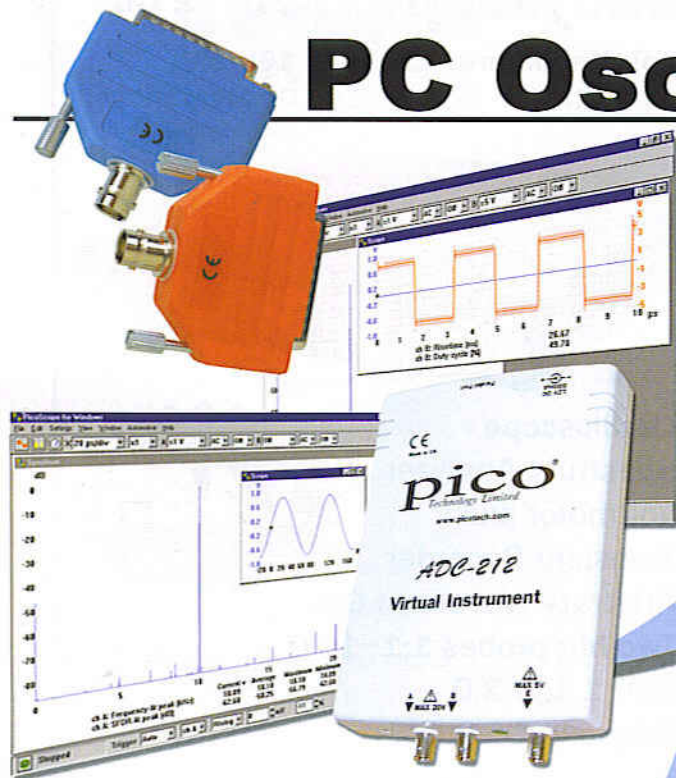
External sensors: Humidity
Temperature
O2 In Air
Reed Switch

- Low cost - under £60
- Built in sensors for light, temperature and sound (level and waveforms)
- Use DrDAQ to capture fast signals
- Outputs for control experiments
- Supplied with both PicoScope (oscilloscope) and PicoLog (data logging) software

For more information on DrDAQ, please visit:

www.picotech.com/drdaq110

PC Oscilloscopes



- Scope and spectrum analyser functions
- A fraction of the cost of benchtop scope
- Save multiple setups, for ease of use
- Save, print and e-mail your traces
- FREE technical support for life
- FREE software and upgrades
- Automated measurements

For more information on our scopes, please visit:

www.picotech.com/scope230

PICO Technology Limited

TO MARK THE LAUNCH OF THE I²C BUS TOOL WE HAVE AN EXCLUSIVE OFFER TO READERS OF ELEKTOR



- I²C or SMBus Monitoring up to 400kHz
- Master transmit and receive
- Slave emulation
- Trigger I/O line
- Serial or optional USB connection
- 5v and 3.3v compatible
- Self-contained, no power supply required
- Easy to use Hyper-Terminal interface
 - Time stamps
 - Filters
 - Message address colours
 - ACKs / NACKs
 - Master / Slave buffer input
- Windows Software Developer's Kit included

Introductory Price £225*

* www.avitresearch.co.uk/elektor.htm or quote "Elektor" when ordering

AVIT Research also supply:

I²C Bus Monitor - Allows your PC to monitor the I²C Bus

- Passive version of the I²C Bus Tool
- Only £150.00

USB to TTL Cable - Connect TTL level circuitry to your PC

- Electronics integrated into USB connector
- Supplied with PC drivers to interface as a serial device
- Ideal for connecting microcontrollers and legacy serial devices to your PC via USB port

RS232 to TTL Cable - Connect TTL level circuitry to RS232

- Electronics integrated into connector
- Interface the RS232 port to TTL serial levels with one simple cable

www.avitresearch.co.uk

info@avitresearch.co.uk

+44 (0)870 741 3636

PCB-POOL[®]

Layout Software
In conjunction with Friedrich Eng. Offices

FREE for PCB-POOL[®] customers

schematic simulation
printed circuit board
autoplacer
autorouter
EMC analysis

no pin limitation
no size limitation

TOLL-FREE!
0300-339-8560

free-pcb-software.com

"Swordfish" PS40M10 Hand Held USB Oscilloscope

A unique hand held device that combines the functions of oscilloscope, data logger, spectrum analyser, volt meter and frequency meter in a single instrument. PS40M10 features a user replaceable precision spring loaded probe tip which can be used to probe even small smd components. The probe cap can be removed to allow PS40M10 to connect to standard oscilloscope probes or BNC cables if required. PS40M10 comes complete with oscilloscope and data logging software. The supplied Windows DLL's allows 3rd party applications to interface to it. Example code in several popular programming languages are provided. Windows CE and Linux drivers are also available on request.

£149 + shipping & VAT

£125 + shipping & VAT

"Stingray" DS1M12 Dual Channel Oscilloscope, Signal Generator & Multi-Function Instrument

Stingray DS1M12 is the value for money dual channel oscilloscope with signal generator, data logger, spectrum analyser, volt meter and frequency meter capabilities. Despite its low cost, DS1M12 offers a wealth of features including 1M S/s sampling with 12 bit conversion, advanced digital trigger modes, AC / DC coupling and an inbuilt signal generator with 10 bit resolution.

Technical Information
For detailed technical specifications, information and downloads please visit
www.usb-instruments.com

Sales Information
USB Instruments - a division of EasySync Ltd
373 Scotland Street, Glasgow G5 8QB, U.K.
Tel : 0141 418 0181 Fax : 0141 418 0110
E-mail : sales@easysync.co.uk
Web : www.easysync.co.uk

"Stingray" DS1M12 Features

- Dual Channel standard BNC input connectors
- 12 Bit simultaneous ADC sampling on both channels
- 20M S/s sampling rate (repetitive) 1M S/s native
- Signal Generator Output / External Trigger Input
- Maximum Input Voltage +/- 50V
- AC / DC Coupling
- Edge, min/max pulse width and delayed trigger modes
- Analog Bandwidth 200KHz
- Self Powered USB Interface - no external PSU required
- 3rd Party application software support provided
- Hardware upgradeable over USB

Handyscope HS3 2 Ch

Resolution Menu - 12, 14 or 16bits
Sample Rates - 5,10,25,50,100 Ms/s models

✓ Oscilloscope
✓ Spectrum Analyzer
✓ Voltmeter plus!
✓ Transient Recorder
✓ Arbitrary Waveform Gen.
✓ Two hi-z probes 1:1~1:10
✓ USB 1.1 or 2.0
✓ Windows OS- all

5 Ms/s Model
£435
ex VAT/pp

iTp Ltd
28 Stephenson Road, Industrial Estate, St Ives, Cambs. PE27 3WJ
Telephone: 01480 300695 Fax: 01480 461654
info@itp101.com www.itp101.com www.tiepie.com

Components

From the mass of emails we get with comment on the component selection in our published circuits we can only conclude that many of you think along with us. In many cases, the components referred to are no longer available from local retailers (if they still exist). Both in the industry and the retail trade, the distribution of electronic parts has changed radically over the past few years.

Apart from lots of standard parts Elektor also employs (relative) newcomers to the market. We do this whenever we feel a new part represents a better solution to a problem than one that's been around for some time, or, indeed, can be classified as an 'old-timer'. After all, our readers are interested in better solutions while at the same time learning about the latest developments. On the down side, components may not be available locally anymore as on-offs.

These days, people can buy nearly everything on the Internet. All known electronics mail order companies and distributors can be reached via the web and in general supply at very short notice. Looking at the trends on the web, it appears that new on-line electronics shops pop up every day. Likewise, you can now watch all the leading semiconductor manufacturers set up on-line shops with a direct supply line right down to individual customers. Now isn't that shopping paradise for electronic parts?

Not so, apparently. We receive lots of complaints about minimum order quantities and shipping charges. The latter I find a bit surprising considering the cost of fuel and parking tickets if you use your car to get to a retail store. On the other hand, I too have to admit to hesitation if I really would like to order something but the small print says £3.50 for postage and packing. However, such doubts are not rational. If you drink a pint in the pub, surely you do not spoil the fun by thinking that the same amount of money could have bought you five times as much canned beer at the supermarket?

The moral of my story: we have to live with the constraints imposed by the changed distribution of electronic components. However, I am convinced that we now have access to far more and more modern parts than in the past. Make clever use of it and do not be put off by the changed price structure.

Karel Walraven, Head of Design Department



Volume 30, Number 338, December 2004 ISSN 0268/4519

Elektor Electronics aims at inspiring people to master electronics at any personal level by presenting construction projects and spotting developments in electronics and information technology.

Elektor Electronics is produced and published by Elektor Electronics (Publishing), P.O. Box 190, Tunbridge Wells TN5 7WY, England. Tel.: (+44) (0)1580 200657, fax: (+44) (0)1580 200616. Email: sales@elektor-electronics.co.uk.

The magazine is available from newsagents, bookshops and electronics retail outlets, or on subscription.

Elektor Electronics is published 11 times a year with a double issue for July & August.

Under the name Elektor and Elektuur, the magazine is also published in French, German and Dutch. Together with franchised editions the magazine is on circulation in more than 50 countries.

International Editor: Mat Heffels (m.heffels@segment.nl)

Editor: Jan Buiting (editor@elektor-electronics.co.uk)

International editorial staff: Harry Baggen, David Daamen, Rolf Gerstendorf, Ernst Krempelsauer, Guy Raedersdorf.

Design staff: Karel Walraven (head of design), Ton Giesberts, Paul Goossens, Luc Lemmens (techdept@segment.nl)

Editorial secretariat: Hedwig Hennekens (secretariaat@segment.nl)

Graphic design / DTP: Ton Gulikers, Giel Diels

Managing Director / Publisher: Paul Snakkers

Circulation Control: Margriet Debeij (m.debeij@segment.nl)

Subscriptions

Worldwide Subscription Service Ltd., Unit 4, Gibbs Reed Farm, Pashley Road, Ticehurst TN5 7HE, England. Telephone: (+44) (0)1580 200657. Fax: (+44) (0)1580 200616. Email: wwss@wwss.demon.co.uk. Rates and terms are given on the Subscription Order Form.

Head Office

Segment b.v. P.O. Box 75 NL-6190-AB Beek The Netherlands. Telephone: (+31) 46 4389444, Fax: (+31) 46 4370161

Distribution: Seymour, 86 Newman Street, London W1P 3LD, England

UK Advertising

Bernard Hubbard, 3 Crescent Terrace, Cheltenham GL50 3PE, England. Telephone (+44) (0)1242 510760, Fax: (+44) (0)1242 226626. Email: bernardhubbard@ukonline.co.uk. Advertising rates and terms available on request.

International Advertising

Klaas Caldenhoven, address as Head Office. Email: advertenties@elektuur.nl. Advertising rates and terms available on request.

Copyright Notice

The circuits described in this magazine are for domestic use only. All drawings, photographs, printed circuit board layouts, programmed integrated circuits, disks, CD-ROMs, software carriers and article texts published in our books and magazines (other than third-party advertisements) are copyright Segment, b.v. and may not be reproduced or transmitted in any form or by any means, including photocopying, scanning or recording, in whole or in part without prior written permission from the Publishers. Such written permission must also be obtained before any part of this publication is stored in a retrieval system of any nature.

Patent protection may exist in respect of circuits, devices, components etc. described in this magazine. The Publisher does not accept responsibility for failing to identify such patent(s) or other protection.

The submission of designs or articles implies permission to the Publishers to alter the text and design, and to use the contents in other Segment publications and activities. The Publishers cannot guarantee to return any material submitted to them.

© Segment b.v. 2004

Printed in the Netherlands

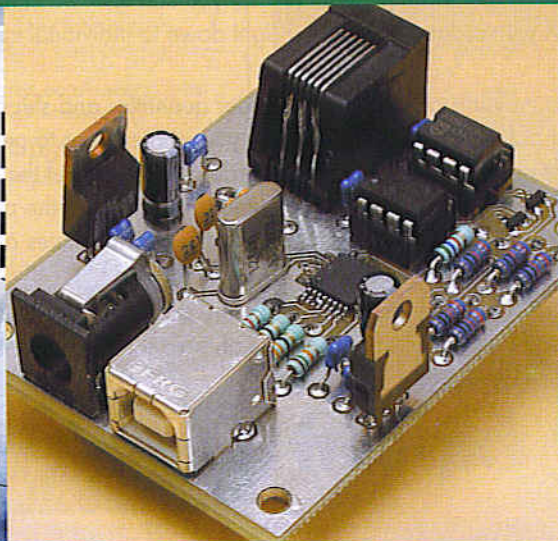
12



On the Buses

Home automation does not stop at remote control for audio & video equipment. Although an increasing number of manufacturers jump the bandwagons called Home Automation and Smart Home, there are no signs as yet of a real breakthrough 'for the millions'.

52



I²C / USB Interface

The I²C bus has been used many times to provide a simple connection between a PC and home-built circuits. This often made use of a simple interface connected to the parallel port of the PC. This now seems a bit dated, so we've designed a USB/I²C interface for you to build.

72



LED Christmas Tree

This flashing LED mini Christmas tree is not only dead simple to build but the design is also repeatable and very reliable in operation. In fact an ideal last-minute project to brighten up the house or office in the run-up to Christmas.

Informative Articles

- 12 On the Buses
- 16 Back to the Future

Cumulative Index 2004
pp. 74 - 76

Regulars

- 5 Foreword & Colophon
- 8 Mailbox
- 10 News & New Products
- 69 Retronics: Heathkit TC2-P
- 78 Quizz'away: Wondrous Light Chain
- 82 Readers Services
- 84 Sneak Preview
- 84 Index of Advertiser

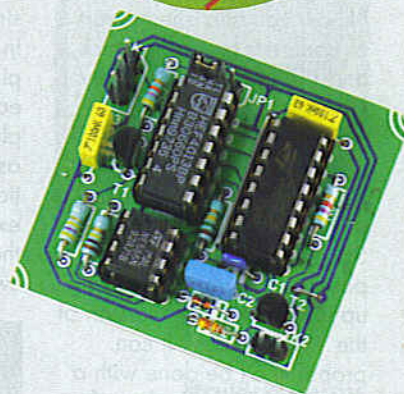
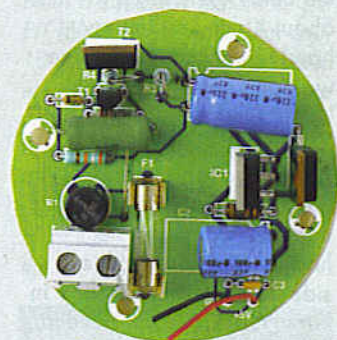
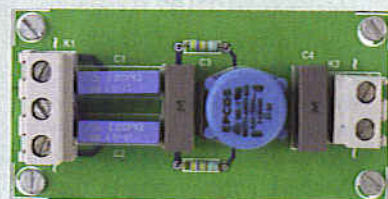
CONTENTS

Volume 30
December 2004
no. 338

SMALL CIRCUITS COLLECTION

5 volts from the Mains	28	Modern SMD Packages	48
Attitude Sensor	20	Negative Auxiliary Voltage	21
BTX	27	NiMH Charger for up to six Cells	32
Car Central-Locking System	26	On/off Button	31
Dimmer with a MOSFET	24	On-line Conversions	39
Direction-Sensitive Light Barrier	22	On-train Radio Camera	33
Discrete Robot	25	Resistor-Equipped Transistors (RETs)	43
Flickering Light II	35	SATA	47
High Voltage Amplifier	18	Simple Audio Peak Detector	37
I ² C and SMBus	29	Stable Filament Supply	49
IIR Tool	36	Thrifty 2-Hz Clock	38
IR Multi-Position Switch	40	Universal Mains Filter	34
IR Transmitter with HT12E	50	Unusual LED Blinker	30
LM4096		Voltage Monitor	38
Boomer Audio Power Amp	41		
Low-Drop Constant Current Source	46		
Model Railway			
Short-Circuit Beeper	42		

Bold article title = includes PCB layout



Construction Projects

52	I ² C / USB Interface
60	I ² C Home Bus
70	start here: Continuous Flow Soldering Voltage Regulator Calculation Power Supply for USB Devices
72	kitchen table: LED Christmas Tree

We thank all our readers and advertisers for their continued support during the past year and wish them a happy and peaceful 2005.



Message from South Africa

Dear Jan — in the April 1980 issue, which was devoted to Automotive Electronics, Elektor published an 'Intelligent Windscreen Wiper Delay' circuit. This used about 8 ICs, not least of which was a 21L02 memory! I built two of these over the years, and it was quite the cleverest and most useful device of its type I have ever encountered. The only change I made was to extend the delay cycle to up to about 4 minutes — very handy in my country where we don't get a lot of rain! Unhappily, many of the devices needed are no longer available, not least the 21L02. Even getting the original ones was a problem — I had to go all the way to a side-street electronics shop in New York City to find them! I know you published a sort of update a few years back, and I have the article in my files somewhere, but as I recall it didn't do quite what the original had done. And in any case it too is probably out of date by now. So my question is this — is it possible that you might come up with a 'modern' version of the 1980 design? It can probably all be done with a single PIC IC these days, for all I know! I think the new Elektor style and layout is just great! Not that there was much wrong with the old one.

Chris Graham (South Africa)

It's wonderful to see how readers of this magazine cherish designs published so long ago they are no longer remembered by anyone on our current staff.

A possible source for (long obsolete) RAM chips like the 21L02 are the spare parts suppliers serving the vintage pinball machine and arcade game communities.

I'm sure the Internet will enable you to get in touch with a trader. Your request for a PIC based windscreen wiper control has been copied into our design lab. Sometime next year we will publish an issue focusing on automotive electronics and maybe a suitable design is ready by then.

Connector parts

Dear Sir — I've been an avid reader of Elektor since I was a young lad the mid 70's. I've followed the changes in style and presentation over the years and must agree that the present new look is an improvement, if one can improve on perfection! The two photos of some single wire connectors illustrate the problem I am having. What I am trying to find is single connectors like those in the two photos, on a 0.1" pitch. These can be connected to flying leads and plugged up to 0.1" headers as illustrated in any combination so desired. I know they exist, since most PC's use them to connect case front switches, USB ports and

other case hardware. But try as I might, and I've phoned quite a few manufacturers as well as the usual suppliers (Farnell, RS, Maplin) I can not find these receptacles in single format. The ones featured in the photos were made by cutting up multiway blocks and filing them down, a time (and nail) consuming task.

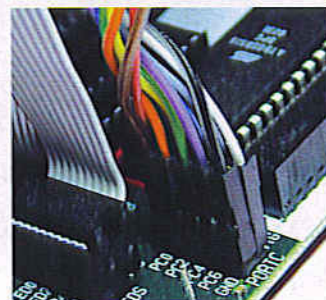
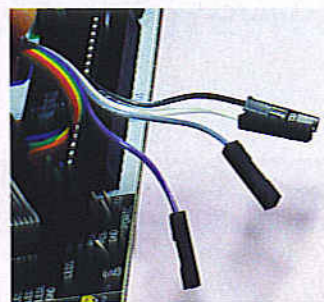
Do you know where on earth I can get my hands on some of these. I know of several other users of Atmel boards who would like some as well. Any ideas, please?

Richard Austin

Readers having information that could help Mr. Austin are requested to contact the Editor. Meanwhile, Luc Lemmens from the Elektor lab tells me single 0.1-inch pitch receptacles can be cut off strips of the type shown in the photograph.



As there is no clamping mechanism, the wire end needs to be soldered and then protected using heat shrink sleeving.



Probing around

Dear Editor — recently I had a problem here at work, monitoring high frequency digital quartz clock oscillators. I needed to adjust each crystal loading capacitance and absorb the board strays to bring the frequency in tolerance. Some of our crystals are accurate to 15 ppm and the highest frequency is 54 MHz.

Without thinking enough I had used a Tektronix 500-MHz, 10x passive scope probe feeding an 8-digit 200-MHz frequency counter. For accuracy I used a Quartzlock Off-Air standard to give me a precision 10 MHz reference source for the counter traceable to NPL. However I didn't spot the 8-pF loading of the scope probe! Consequently my results did not agree with our RF team who used their Agilent 89441A Vector Signal Analyser with a 'sniffer lead' held in the vicinity of each clock circuit. Hence their loading of each oscillator was negligible, resulting in my readings being around 20 ppm too low!

Problem resolved by using a new Tektronix TDS57704B, 4-channel digital scope. This gear happened to be in the lab on evaluation. Tektronix have wisely brought out one of the 4-channel analogue signals (prior to digitisation) to the front panel. I was then able to use one of their active FET probes and connect the frequency meter to the scope analogue output. Hence around £ 40k of active probe!

This resulted in the loading error compared to our RF team's measurement closing to around 5 ppm worse case. An alternative to tying up the 4-channel digital scope was to use an Agilent 3-GHz active RF probe, adding an N-type to BNC adapter to its rear and power it from any Agilent spectrum analyser. At this point I started thinking off build or buy for a stand alone very low capacitance active probe. I found few on the market with less than 1 pF input capacitance! The ones that are, are made by Tektronix, LeCroy etc. for their own scopes, designed to plug into a specialised

front panel connector which provides signal and probe power. Tektronix have discontinued making a bench supply to use their probes stand alone. Sigh!

Imagine my amusement then, in finding David Jewsbury's article last Saturday ('Poor Man's 1-GHz Probe', October 2004, Ed.), while perusing the few electronics mags in WHSmith's.

I was just beginning to think of reaching for my soldering iron to grow my own low cap probe. I will build his circuit with a follower second stage as I don't need the bandwidth but just the low input capacitance.

All the best with your excellent magazine.

Alan Bate



Thanks Alan for this example of how a complex problem is tackled in your work environment. Here's proof that the subtitle with our article: 'DIY saves a pretty penny' was spot on.

Happy Birthday

Dear Sirs — I have been reading Elektor from the start and have found your maga-

zine to be a wonderful font of knowledge. I am sure I am not alone in wanting to thank you, for helping me over the years with design ideas etc. I have every edition from about 1980 onwards (squirrels in the loft destroyed my earlier volumes). I wondered what joys you will be bringing us on your thirtieth birthday. Happy Birthday Elektor!
Mark Scotford (Spain)

Readers wishing to part with pre-1980 copies of Elektor magazine, or complete year volumes please contact the Editor for Mr. Scotford's contact details. As the joys of this month, I sincerely hope they start on page 1!

Flash Micro Board vs. fast PC

Dear Elektor staff — I have been using your 89S8252 Flash Micro Board (December 2001, Ed.) for about two years with great pleasure, having managed to link it to a couple of applications like A/D, D/A and system controls.

However since starting out with the project (in 2002) I've had recurring problems with the downloading of programs. After a few experiments it transpired that my 2.8-GHz PC did not work properly with the MicroFlash utility, whereas an old 433-MHz machine worked a treat. A few days ago I repeated the test with the same result: communication problems when downloading programs from the fast PC. Is a workaround available?

Bram Vooy (Netherlands)

We were surprised to read of your problems considering that thousands of Flash Micro Boards have been sold since December 2001. There is a solution: use a utility called ATMELISP, you can



find it at, among others, www.modul-bus.de/mbnews/mbnews02/isp.htm.

Open the 'parameter' menu in the top left-hand corner of the screen; next select the COM port and then DK7JD.

(Mr. Vooy's has since advised us by email that this solution worked perfectly, Ed.)

[screendump 045080-62]

Lost & Found

Dear Editor — A short time ago, a friend brought to me a power supply which, he said, I had made for him some years ago. Frankly, I has no recollection of so doing but at is bore all the hallmarks of my mechanical handywork, I accepted that what he said was true. He had connected the PSU the wrong way around to a battery. It no longer worked; would I repair it? Clearly, it was an EE project. But when was it published? The only clue was the code mark on the PCB. I sent this to you and asked if the year of publication, at any rate, could be given.

Within days, a received a reply by email giving the year, date and page number. I looked up the article and have been able to repair the damage (blown track and a

projection diode shorted). Again, thank you for your excellent service. I continue to enjoy your magazine and like the new format.

Edward Benson, G3MUX

Credit is due to our Editorial Secretariat who traced the PCB number (980024-1) to the respective article ('Variable Power Supply', March 1998). Anyone can do this, however. Finding past articles by production number, PCB and/or software item number has been a standard feature of our EIT (Elektor Item Tracer) for over 10 years as well as of the search engine implemented in our year volume CD-ROMs as of 2003. Both products should prove extremely useful to owners of complete year volumes of our magazine. The EIT starts at 1985, the CD-ROM engine at 1996.



MailBox Terms

- Publication of reader's correspondence is at the discretion of the Editor.
- Viewpoints expressed by correspondents are not necessarily those of the Editor or Publisher.
- Correspondence may be translated or edited for length, clarity and style.
- When replying to Mailbox correspondence, please quote Issue number.
- Please send your MailBox correspondence to: editor@elektor-electronics.co.uk or Elektor Electronics, The Editor, P.O. Box 190, Tunbridge Wells TN5 7WY, England.

Diagnostics and Development Tools for SMBus and I²C

AVIT Research Ltd. has released a low cost I²C Bus Tool for the diagnostic and development of embedded system SMBus and I²C communications. The Tool combines ease of use with comprehensive facilities to monitor bus activity and powerful functionality for participating on the bus. Messages can be sent and received as either Master or Slave on Standard and Fast Mode Busses. The I²C Bus Tool complements AVIT Research's existing I²C Bus Monitor and RS232 products.

The I²C Bus Tool provides a simple means of examining and interacting with bus traffic on an I²C or SMBus system using a standard PC — without the need for external power supplies or the installation of driver software. It provides a user interface via the HyperTerminal application (supplied with Windows). This interface allows messages to be composed and sent when acting as a bus master and to receive data from slave devices through the master receive function. The interface also allows the I²C Tool to be configured to act as an I²C slave device to

automatically receive data and respond to requests for data from Master devices on the bus. I²C messages can be colour coded according to the I²C device address and timestamps can show the time of each message with a resolution of 1 ms. Filters can be applied so that only messages for devices of interest are shown.

The supplied Windows Software Development Kit (SDK) provides an alternative to the HyperTerminal interface for writing custom software using VB, VBA, C/C++, Delphi or Java. The SDK gives the programmer access to all the functionality of the I²C Bus Tool and using this it is possible to emulate slave devices such as EEPROMs, ADCs and DACs. Example code and applications are included. The Trigger connection allows an oscilloscope to be triggered in reaction to a sequence of bytes on the bus or to act as an input where transitions on the probe are shown as time-stamped events within the I²C data.

The I²C Bus Tool is packaged as a standard size 9-pin D-Type connector suitable for connecting to a PC serial port. It is supplied

with approximately 0.6 m of cable with four probe clips for connection to the I²C system. The connections are Ground, I²C Clock, I²C Data and Trigger.

Features:

- Monitors bus traffic on SMBus* or I²C systems at up to 400 kHz (Fast-Mode).
- Master Transmit and Receive including Repeated Start Requests.
- Slave Emulation - Slave Transmit and Receive (Ack of Data bytes).
- Multi-Master Bus Compatible.
- Trigger Line provides an output to an oscilloscope or can be set to an input for timing events.
- Shows acknowledgements (ACKs) and negative acknowledgements (NACKs).
- Connects to standard PC serial port or USB to serial adapter.
- No power supply required.
- Compatible with 5 volt and 3.3 volt Buses.
- Compact; all circuitry is integrated within the D-Type connector.
- Can be used with standard terminal programs supplied with Windows or Linux.



- Supplied with Windows Software Developer Kit that provides I²C functionality to VB, VBA, C/C++, Delphi or Java applications through an OXC. Help and Example Code included.

The I²C Bus Tool including Windows SDK is available directly from AVIT Research at **only £ 250.00.**

AVIT Research Ltd. Compass House, Histon, Cambridge. CB4 9AD.
Tel: (+44) (0)1223 257758,
Fax (+44) (0)7092 111293.
Email: i2c@avitresearch.co.uk
Website: www.avitresearch.co.uk

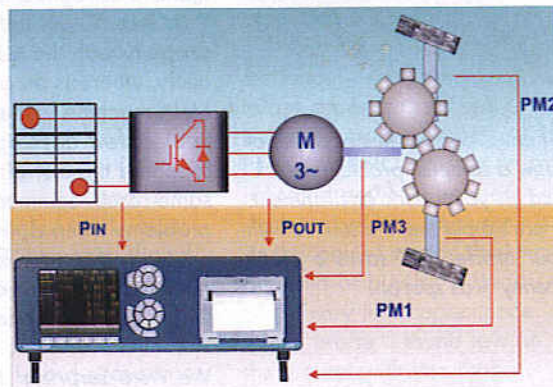
(047199-5)

Process Interface for Electrical Drives

LEM has introduced the P11 process interface for its NORMA power analyser family. The interface allows measurement of up to four speeds and torques simultaneously, quickly and precisely, and can calculate the mechanical power. The NORMA analyser measures the respective electrical power for the calculation of the efficiency under dynamic conditions.

It is not enough to measure the efficiency in a steady state, because the biggest losses usually occur during the starting and stopping phases of the drive. Therefore electrical and

mechanical power values must be measured very quickly and, above all, simultaneously. This can be achieved with LEM's NORMA 3000, NORMA 4000 and NORMA 5000 analysers. Mechanical powers are sampled at 34 kHz; electrical values at either 113 kHz, 340 kHz or 1.02 MHz, according to the model. Through the eight inputs for mechanical values, the system can measure multiple motor systems or conduct measurements before and after transmissions. The efficiency can, therefore, be measured with a single measuring instrument.



LEM HEME Ltd.,
1 Penketh Place, West Pimbo,
Skelmersdale,
Lancashire WN8 9QX.

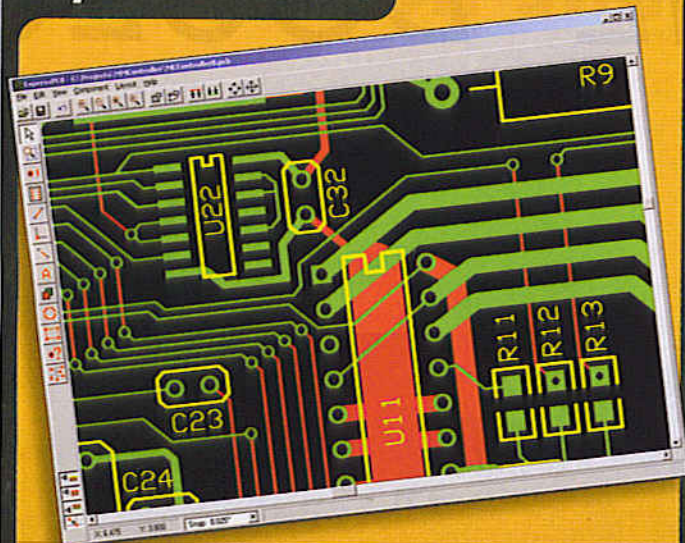
Tel: +44 (0) 1243 531123.
E-mail: eap@lem.com.
Website: www.lem.com

(047199-2)

FREE

Layout Software

EASY To Use!
Very **LOW** Cost!
Extremely **FAST**
Turnaround!



- 01 **DOWNLOAD** our free CAD software
- 02 **DESIGN** your two or four layer PC boards
- 03 **SEND** us your design with just a click
- 04 **RECEIVE** top quality boards in just days

expresspcb.com

PCB-POOL®

SERVICING YOUR COMPLETE PROTOTYPE NEEDS

- Prototypes at a fraction of the cost
- Tooling and setup included
- Any contour
- Fr4 1.6mm, 35µm Cu
- Industry standard quality
- Follow up series runs
- CAM / CAD consulting

PRICE EXAMPLE:
1 EUROCARD DS/PTH
+ Tooling
+ Photoplots
+ VAT
= £ 29.89*

€ 49

*Sterling rates may vary. Price = € 49

FREE

with first order
(while stocks last)



see offer display
to make order



Tel: +353 (0)161 701170
Fax: +353 (0)161 701164
E-Mail: sales@zeta-byout.com

Freephone
0800-389 8560

Simply send your files and order ONLINE:

WWW.PCB-POOL.COM



A QUANTUM LEAP IN
EMBEDDED CONTROLLERS

Quick FIRE

SUPERCONTROLLERS

Our range provides:-

- The fastest 68000 based Core up to 66 Mhz.
- Extensive I/O:- Serial, IrDA, SPI, I²C, Analogue, Timers/Counters, RTC, etc.
- Large Memory Capacity:- Flash, SRAM, DRAM.
- Supports:- Mono & Colour LCD's, Touch Panels & Keypads, Very Low Power.

ALSO LOW COST

DEVELOPMENT

- Target easily & quickly.
- Full ANSI 'C' compiler, assembler & linker all Windows32 based.
- Source Level Debug.
- Full Driver Support with Libraries.
- Real Time Multitasking OS with a free run time licence.
- FREE Unlimited email support.

www.cms.uk.com

see our web site for full details

CAMBRIDGE MICROPROCESSOR SYSTEMS LTD

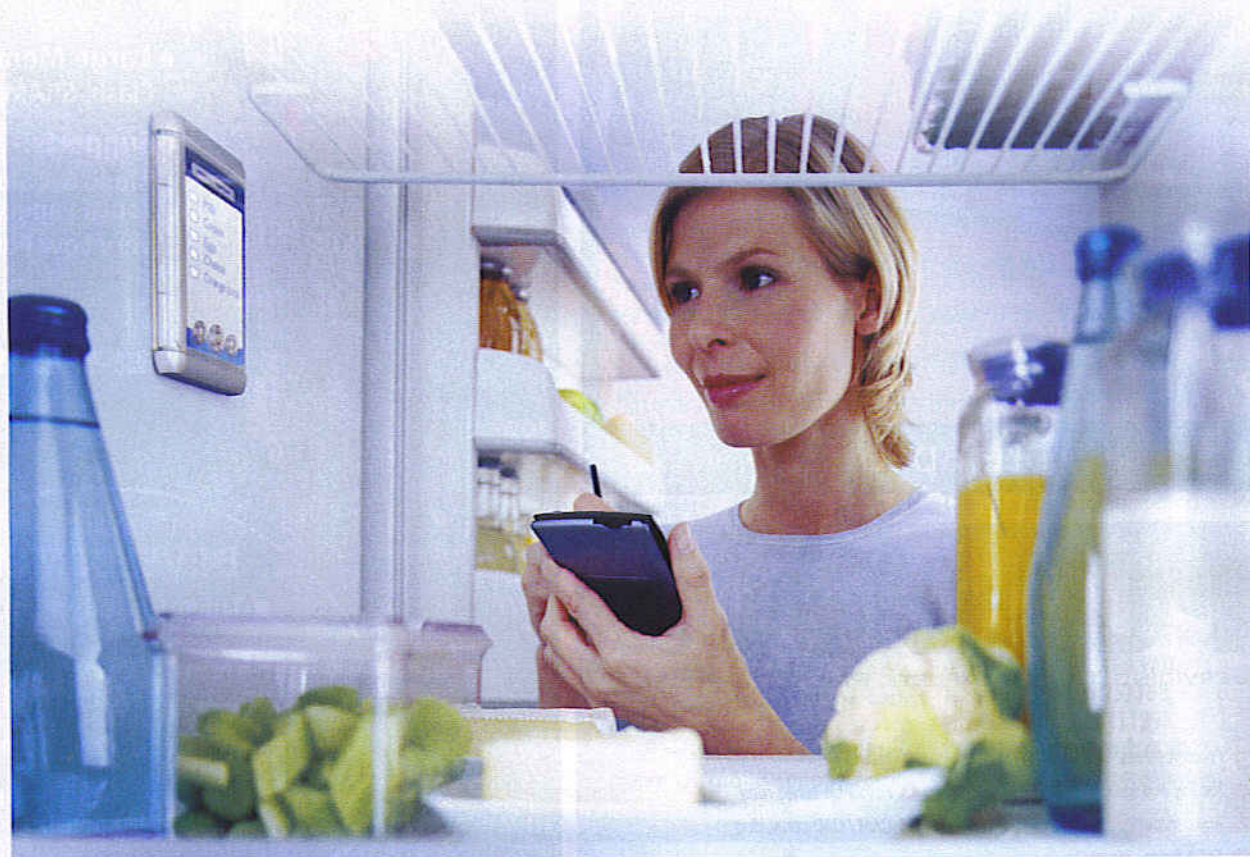


Unit 17-18 Zone 'D' Chelmsford Rd. Ind. Est.
Great Dunmow, Essex CM6 1XG

Telephone: **01371 875644**
email: sales@cms.uk.com

ON THE BUSES

David Daamen



Being able to control a TV or a stereo from the comfy chair is taken for granted these days. However, home automation does not stop at remote control for audio & video equipment. Although an increasing number of manufacturers jump the bandwagon called Home Automation or even the Smart Home, there are no signs as yet of a real breakthrough 'for the millions'.

Although several systems are currently available on the market to automate various functions in and around the home, the large number of different, competing, standards and proprietary developments is a large stumbling block on the road towards the Home of the Future.

In an earlier issue we wrote that developments in home automation were being slowed down by the possibilities and impossibilities of facility engineering ('Home Bus Systems', *Elektor Electronics* February 2001). Apparently, developing and marketing a compatible system is time

Last station still far off

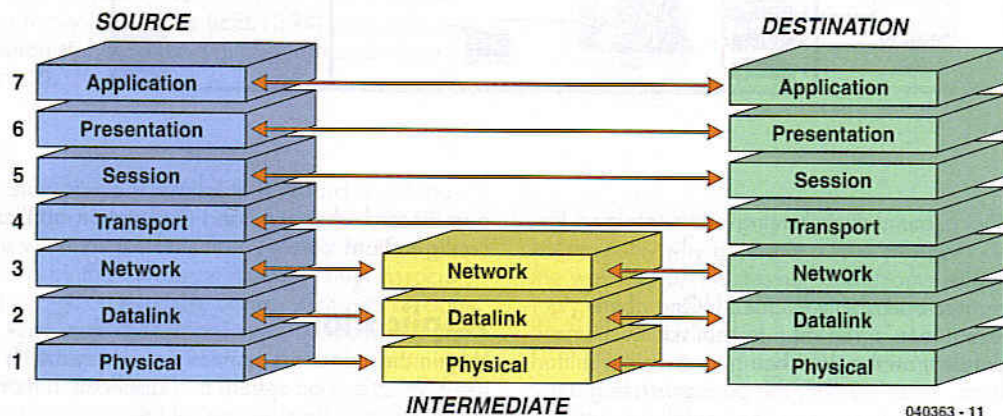


Figure 1. The Open Systems Interconnect (OSI) model developed by the ISO.

consuming to the extent that manufacturers are always one step behind reality.

One of the main problems seems to be flaky exchange of data between different applications. Once the main hitches have been recognised, it is often impossible to make amends at the high pace that rules in the electronics industry. This situation has resulted in a plethora of different protocols and standards which only seems to aggravate the problem.

Lessons have been learned, however, because today the trend is not just to look at the connection method, but increasingly at the actual application.

OSI

The fact that it has taken so long for the system designers to spend time on the application is not surprising in itself. Since the mid-1980s, there exists a standard describing the aspects to take into account when implementing the network functionality. At that time, the ISO (International Standards Organization) published a reference model called *Open Systems Interconnect* (OSI), see **Figure 1**. A bit further on, we'll see that besides many standards concentrating on the actual connection and/or the manner of communicating, there are now also standards giving due attention to the highest layers of the OSI model: the area where the actual application is concerned. For convenience's sake, we will divide the standards (professional networking and home automation) into three categories derived from the OSI reference model. The subdivision is into (1) the network layer; (2) the communication layer and (3) the application layer.

Networking

Standards like *RS-485*, *Ethernet*, *FireWire*, *HomePNA*,

HomePlug, *MoCA*, *USB* and *X10* are primarily descriptions of ways to communicate over a physical medium. *HomePNA*, for instance, is a standard with widespread use in the USA, describing how connections with speeds up to 240 Mbit/s can be established within the home using the (existing) telephone wiring. The *Multimedia over Coax Alliance* has published a standard based on the same principle: making use of existing cabling — in this case, coax cabling already installed in many homes for the distribution of (analogue) radio and TV signals. According to the *MoCA*, the standard is future-proof and capable of speeds up to 1 Gbit/s.

The *HomePlug* standard now 'on the rise' in Europe also employs existing cabling — the mains wiring installed in your home. Speeds up to 14 Mbit/s are said to be within reach.

Arguably, wireless standards like *Bluetooth*, *ZigBee*, *DECT*, *WiFi* and *IrDA* also belong to the network category. The 'Bus Systems' inset provides links to more information on all these standards.

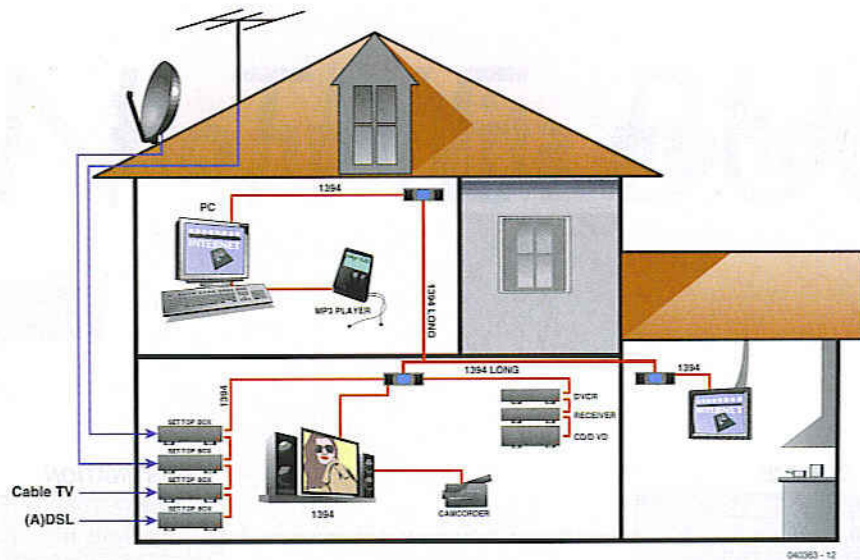
In the network layer, the focus is on physical interoperability (connectivity), hence most standards do not go beyond the first layers of the OSI model.

The upshot is that such standards are not terribly useful without agreements on how data is being transmitted and this is where the need for a networking protocol becomes apparent. Today, IP (Internet protocol) is the most frequently used.

Communication

The comms layer comprises standards like *BACnet*, *Bat-iBUS*, *EIB*, *EIBA*, *LonWorks* and *KNX*. The latter will be reverted to below. These are primarily communications systems. The standards describe the data packets travelling up and down the network between machines (ter-

Figure 2.
HAVi is based on a
Firewire link for
conveying digital
audio and video
signals.



minals), without a connection having been set up beforehand.

In this context, inter-operability is crucial. One of the ways to achieve it is to agree on a transmission scheme that's not dependent on the data being sent. This will fit in very well in an 'open' system, the protocols being universal and free for use by anyone. Incidentally, a system based on 'open' specifications is eventually closed of its

own accord when it is used in a certain application or configuration!

Application

Within the standards normally associated with this layer, the emphasis is on system and application management. Consequently, the main aim of the standard is to define a so-called network-independent API (Application Program-

Bus systems

Network layer

RS-485
IEEE 802.3
IEEE 1394
HomePNA
HomePlug
MoCA
USB
X10
IEEE 802.15
ZigBee
DECT
IEEE 802.11
IrDA

Recommended Standard ANSI/TIA/EIA-485-A-98
Ethernet
FireWire
Home Phoneline Network Alliance
HomePlug Powerline Alliance
Multimedia over Coax Alliance
Universal Serial Bus
X10 Wireless Technology
Bluetooth
ZigBee Alliance
Digital Enhanced Cordless Telecommunications
Wireless Fidelity (WiFi) / Wireless LAN
Infrared Data Association

www.tiaonline.org
standards.ieee.org
www.apple.com
www.homepna.org
www.homeplug.org
www.mocalliance.org
www.usb.org
www.x10.com
www.bluetooth.com
www.zigbee.org
www.dectweb.com
www.wi-fi.org
www.irda.org

Communication layer

BACnet
BatiBUS
EIB
KNX
LonWorks

Building Automation and Control Networks
BatiBUS Club International
European Installation Bus
Konnex Association
Local Operating Network Works

www.bacnet.org
www.batibus.com
www.eiba.com
www.konnex.org
www.echelon.com

Application layer

CEBus
Modbus
PROFIBUS
HAVi
EHS
OSGi/RG
Salutation
UPnP

Consumer Electronics Bus
Modicon bus
PROFIBUS International
Home Audio Video Interoperability
European Home System
Open Service Gateway initiative/Residential Gateways
Salutation Architecture
Universal Plug and Play

www.cebus.org
www.modbus.org
www.profibus.com
www.havi.org
www.smarthomeforum.com
www.osgi.org
www.salutation.org
www.upnp.org

ming Interface). This category comprises standards like CEBus, ModBus, PROFIBUS, HAVi, EHS, OSGi and UPnP.

Whereas CEBus is used predominantly in the US of A, initiatives like HAVi and UPnP refer to truly global developments. You may already have heard of UPnP, the concept of plug-and-play being familiar from the Windows/PC environment where it is fully integrated in the hardware and software concepts.

For clarity's sake we should mention that there is an amount of overlap in the categories mentioned. For example, certain standards from the network category are often complemented with solutions for management and control. The opposite also applies where a certain medium is sometimes chosen as the basis for an application group. This applies to, for example, HAVi, a system with its roots firmly in Firewire (IEEE 1394) and intended as a connection standard for digital audio and video signals (Figure 2).

Konnex

A full discussion of every available standard is unfortunately beyond the scope of this article, hence we will pick out one we think is particularly interesting. The standard proposed by the *European Home System Association* (ESHA) is a good example of how it should be done. Apart from supplying specifications on medium and communication protocols, the consortium aims at furnishing a solution that's brand-independent, auto-configuring (plug and play), modular and future-proof. The fact that ESHA, BatiBus and EIB decide to team up to form the *Konnex Association* (Figure 3) is sure to help achieve the original goals.

Because the standard is open and platform-independent while also supporting various real-world media, we believe it will see increasing coverage in the future.

In practice

So what does the future hold in respect of home automation system? With a well-founded base approaching rapidly, the possibilities are in principle only limited by our fantasy — or that of the manufacturers, of course.

Today's ability to control the TV or stereo rack from the comfy chair is just a harbinger of what we can expect to see in a few years time. Meanwhile we have to make do with remote control lighting systems now available from builders' markets. However, this will not be terribly interesting until other systems are integrated (Figure 4). Just think of a voice-controlled computer assisting you with measurement and control functions in and around the home, or the central heating activity linked to a time programmed on an alarm clock. A quarter of an hour before you get up, the domotics system provides a comfortable temperature in the bathroom! Taking this one step further, the coffee machine is switched on automatically when you leave the shower.

Home automation may also contribute significantly to security. For example, in your absence a central system may simulate activity in the home and even text you when an alarm condition arises from intruder, flood, high/low temperature or smoke detection, so you get an alert when you've left the oven on!

Do it yourself domotics

With consumers waiting for the industry to come up with proper and affordable systems, it is not surprising to see a flood of DIY solutions on the Internet. A couple of these



Figure 3. Logo of the Konnex Association.

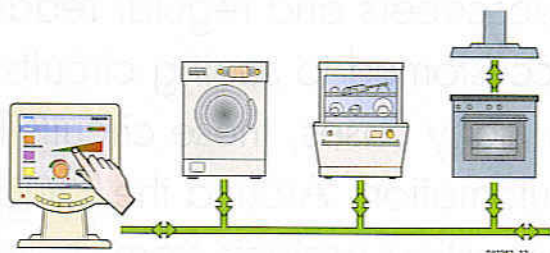


Figure 4. Eventually, all equipment in the home will be able to communicate with each other.

will be discussed in a future instalment of E-Online.

Meanwhile, why not have a look at what's brewing on the websites of 'Homeseer' and 'Home Automated Living', which supply examples of hardware and software that allows you to start integrating and automating your home right here and now. The relevant web links may be found below.

(040363-1)

Web links

www.hometoys.com
www.smarthomeforum.com

Software and hardware

www.homeseer.com
www.automatedliving.com

Previously on Elektor

Elektor Electronics has a long history of articles on bus systems suitable for DIY home automation. The most important contributions are listed below.

- RS485 meets CAN; two systems on one bus (Elektor Electronics October 2001)
- RS232 to RS485 Half-Duplex Adapter; advantages of balanced lines (Elektor Electronics May 2002)
- DCI Bus; RS485 home network with a maximum of 64 terminals (Elektor Electronics December 2002)
- USB-RS232 Interface; a compact solution for missing ports (Elektor Electronics April 2003)
- Controller Area Network (CAN bus); intelligent data communications in practice (Elektor Electronics September through December 1999)

Elsewhere in this issue you'll find references to a number of recent construction projects that fit in with this month's focus on Domotics. With a little inventiveness all of these can be bused!

Back to the

Subscribers and regular readers of Elektor Electronics are accustomed to seeing circuits for use in and around the home. In many cases, these circuits lend themselves to DIY Home Automation. Around the cartoon we've listed a number of interesting projects from past issues.

Burglar Alarm
Elektor Electronics
January 2004
p. 46

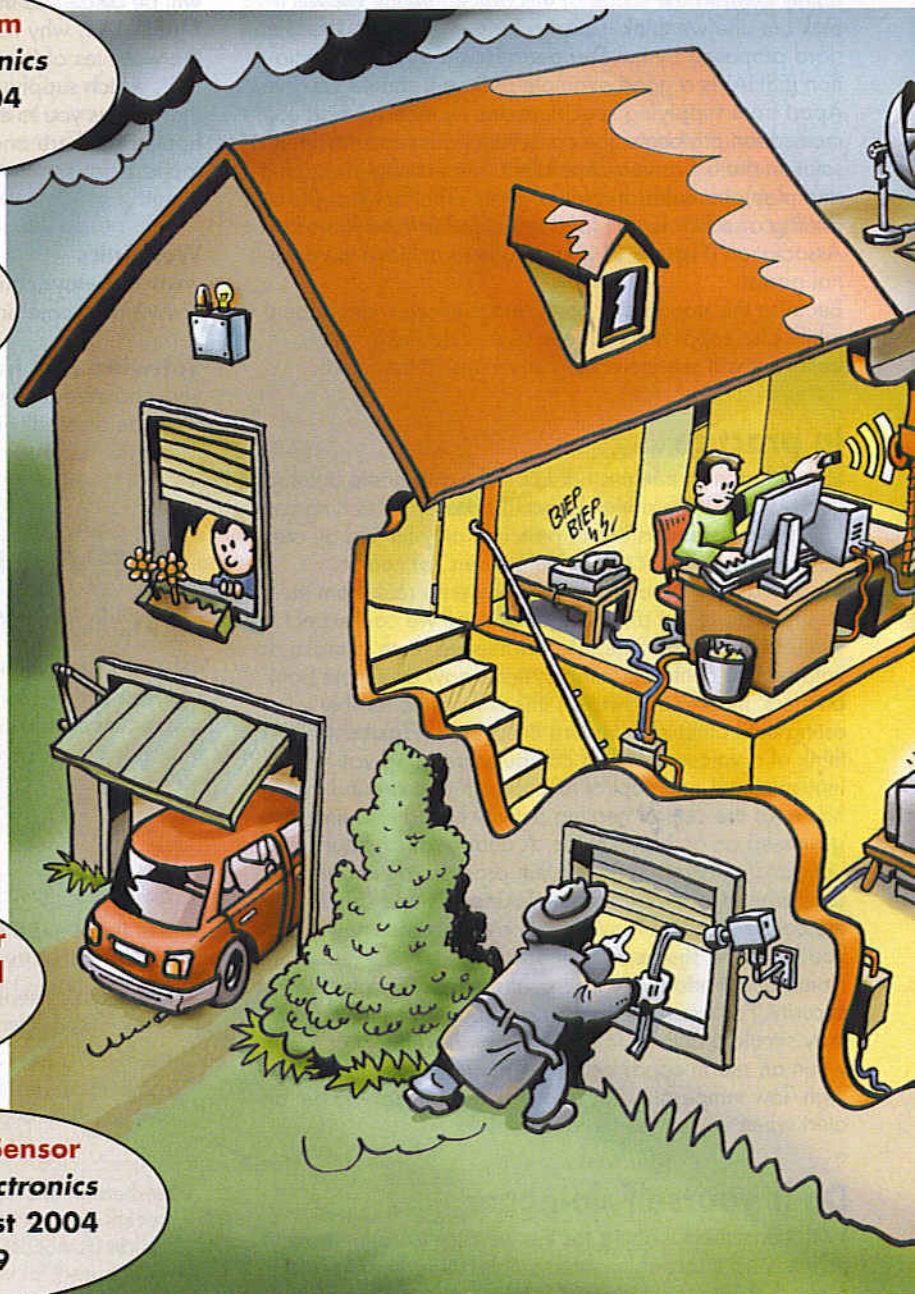
Rolling Shutter Control
Elektor Electronics
July/August 2003
p.30

**DTMF
Remote Telephone Switch**
Elektor Electronics
September 2003
p. 46

**Parallel Port
Switching Interface**
Elektor Electronics
February 2004
p. 38

**Switched-outlet Power
Bar wit RS232 Control**
Elektor Electronics
April 2003, p. 32

Acoustic Sensor
Elektor Electronics
July/August 2004
p. 79



future

Home electronics from the (recent) past

**Wind Speed &
Direction Meter**
Elektor Electronics
May 2004, p. 24

**Lightning
Intensity Detector**
Elektor Electronics
June 2003, p. 56

**Passive-Optical
Person Detector**
Elektor Electronics
February 2003
p. 22

**Simple
Sump Pump Control**
Elektor Electronics
December 2000
p. 88

Night Light Control
Elektor Electronics
June 2003
p. 24

**Remote Light
Control with Dimmer**
Elektor Electronics
July/August 2003
p. 18

iAccess
Elektor Electronics
February 2004
p. 42

You have Mail!
Elektor Electronics
July/August 2004
p. 57

Back copies

If you do not have the magazine issues referred to in this article, contact our sales office on sales@elektor-electronics.co.uk for price and availability of back issues of the magazine or photocopies of past articles. See also Readers Services elsewhere in this issue.

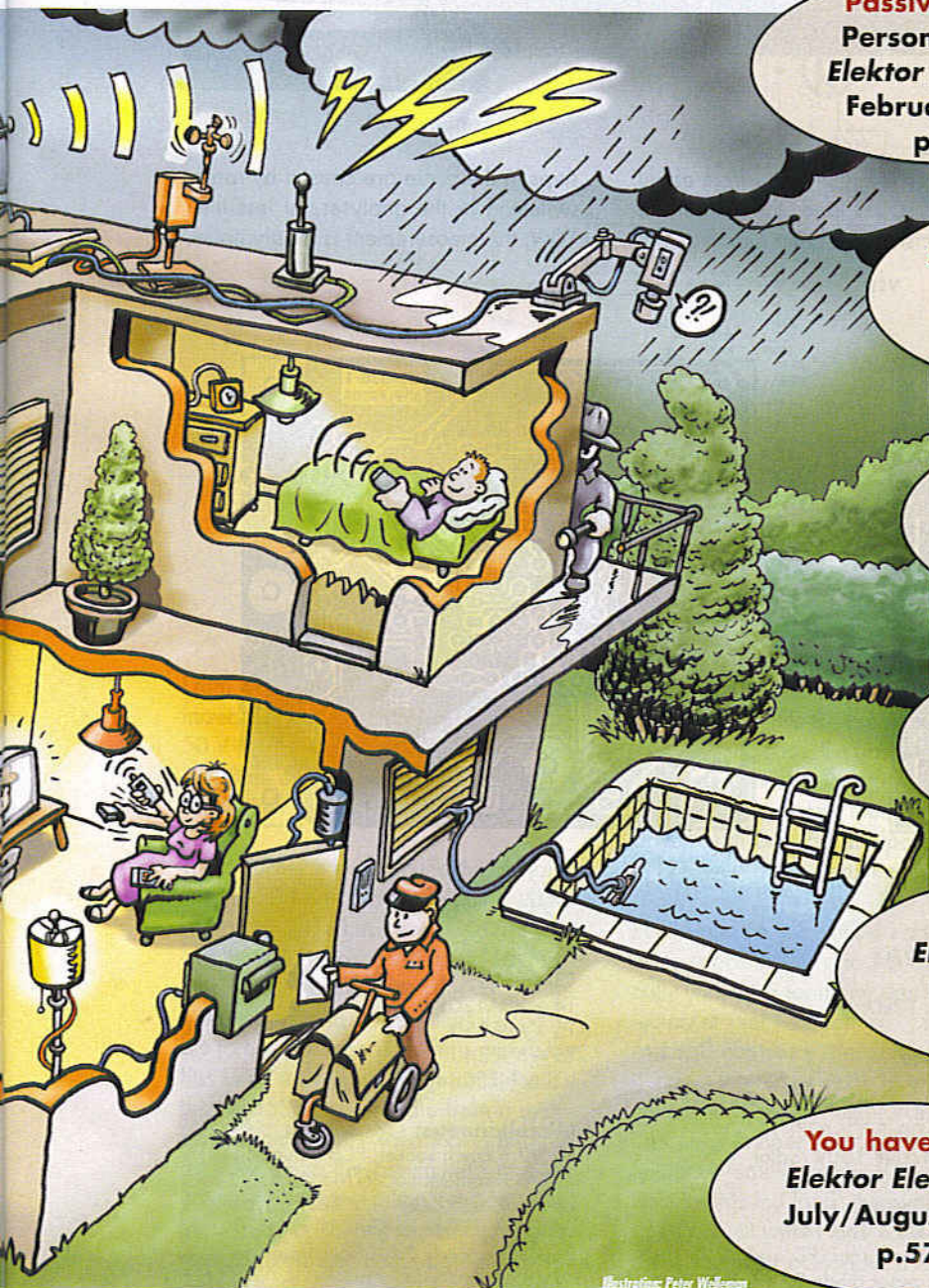


Illustration: Peter Wolfman

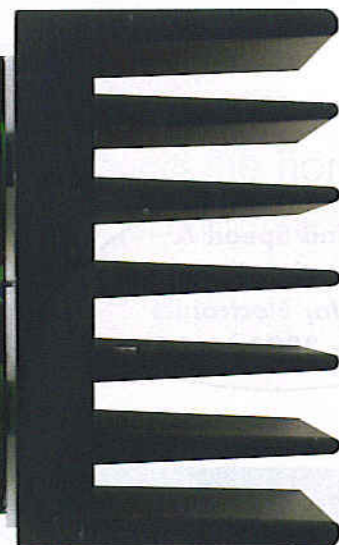
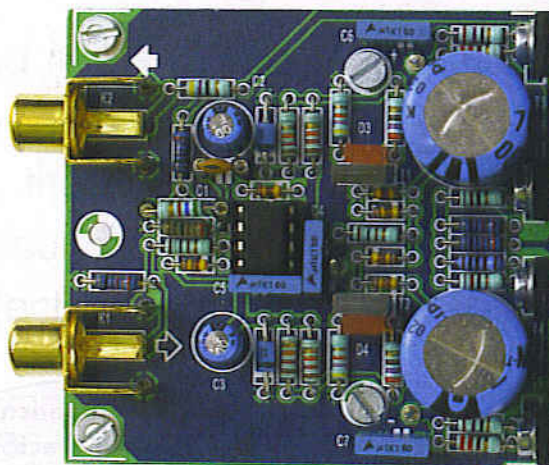
(040396)

High Voltage Amplifier

Audio analysers, such as the Audio Precision series have signal generators that for certain test purposes do not have a sufficiently high output voltage. That is why we have designed this 'booster' amplifier stage. It provides the same amount of voltage as a 300-W amplifier into 8 Ω . Applications for this amplifier include the testing of measuring filters or an automatic range-switching circuit.

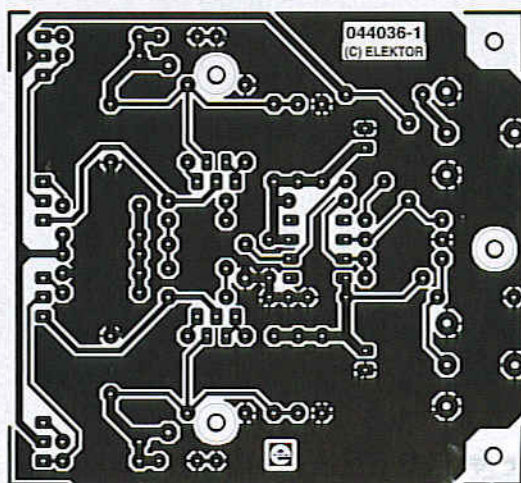
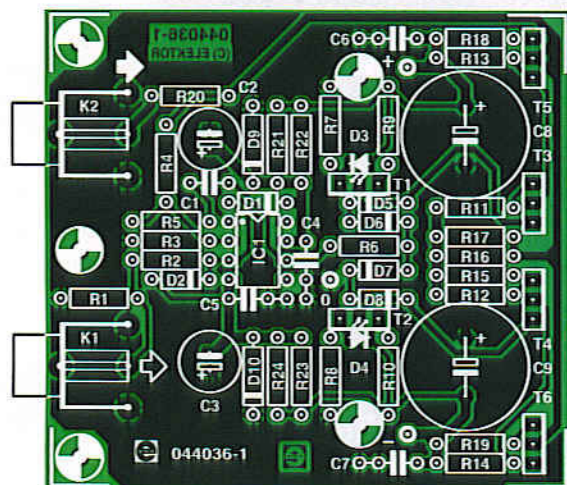
The amplifier can, with a ± 75 V power supply, generate 50 V_{RMS}, with an input signal of 5 V_{RMS} from the signal generator. In other words, the voltage gain is set to 10 times. In many cases the full bandwidth of the generator is not available at maximum output voltage. For this reason the amplifier gain is a little more than what is actually required for this application.

The graph shows the distortion (THD+N) as a function of output voltage. It is obvi-



ous that at 1 kHz (curve A), from about 10 V with 10 k Ω load, the limit of the Audio Precision has been reached. The

steps in the curve are caused by range switching in the analyser. At less than 10 V, the measurement is mostly noise.



COMPONENTS LIST

Resistors:

R1, R16, R17 = 10k Ω
 R2, R6 = 100 Ω
 R3 = 1k Ω
 R4 = 10k Ω
 R5 = 5k Ω
 R7, R8 = 47k Ω
 R9, R10 = 270 Ω
 R11, R12 = 82 Ω
 R13, R14 = 220 Ω

R15 = 1k Ω
 R18, R19 = 27 Ω
 R20 = 47 Ω
 R21-R24 = 12k Ω

Capacitors:

C1 = 22pF
 C2, C3 = 47 μ F 25V radial
 C4-C7 = 100nF (C6/C7: 100V)
 C8, C9 = 470 μ F 100V radial

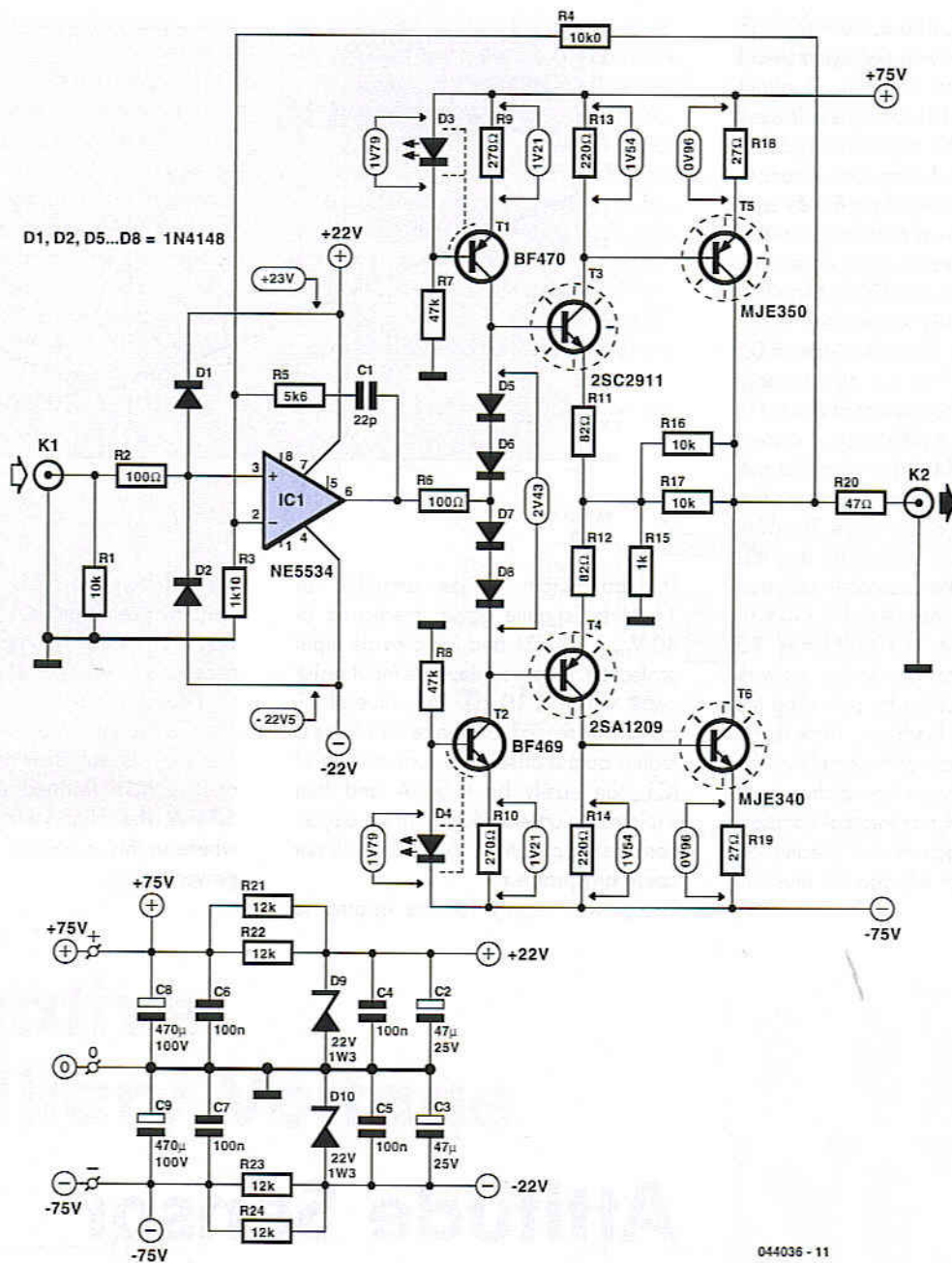
Semiconductors:

D1, D2, D5-D8 = 1N4148
 D3, D4 = rectangular LED, red
 D9, D10 = zener diode 22V 1.3W

T1 = BF470
 T2 = BF469
 T3 = 2SC2911
 T4 = 2SA1209
 T5 = MJE350
 T6 = MJE340
 IC1 = NE5534

Miscellaneous:

K1, K2 = cinch socket, PCB mount, T-709G from Monacor/Monarch
 Heatsink, 2.5 K/W (e.g. Fischer type SK100, 50mm height)
 PCB, order code 044036-1 from The PCBShop



044036 - 11

From 20 kHz (curve B) the distortion increases slowly, but with only 0.008% at 50 V remains small even at nearly full output! Both curves were measured with a bandwidth of 80 kHz.

The amplifier is built around the old faithful NE5534 and a discrete buffer stage. The buffer stage has been designed as a symmetrical compound stage, which maximises the output voltage. The advantage of the compound stage is that it is possible to have voltage gain. This possibility has been taken advantage of, because the NE5534 can operate from a maximum of only ± 22 V (and that is pushing it!). We make the assumption that the opamp can supply $15 V_{\text{peak}}$ without distortion. There is, therefore, 4.7-times gain required in the compound-stage. This is set with the local negative feedback R15,

R16 and R17. The values are as small as possible to enable the use of normal resistors. At first glance, the gain should in theory be 6 times, but the stages T3 and T4 influence the local feedback. When driven with DC, the dissipation in R16 (R17) will be a maximum of about 0.3 W.

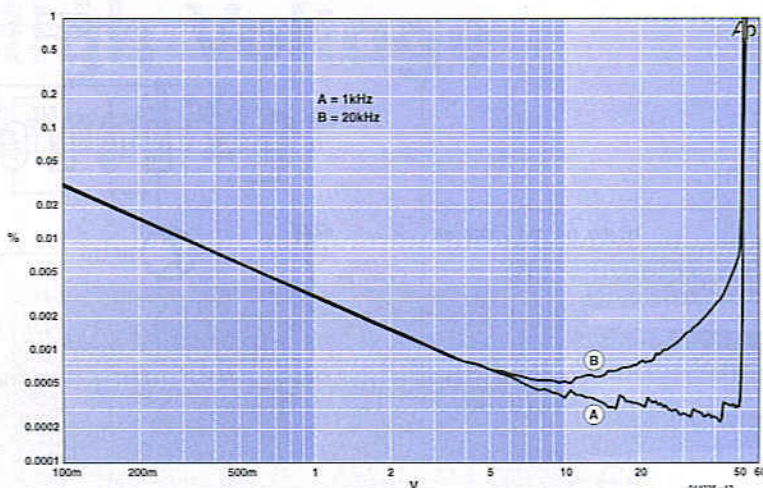
For T5 and T6, the MJE340 and MJE350 were selected. This pair has been practically unrivalled for many years. At a collector/emitter voltage of 150 V, the MJE350 can carry a collector current of 40 mA. The output stage is, with an idle current of 35 mA through T5 and T6, well into class-A operation. Local and total feedback requires a maximum of 20 mA. Despite this 'no load' the output transistors are well within their safe operation area. The minimum load is a few k Ω . The amplifier is not short-circuit proof. If

necessary, R20 can be increased to 1 k Ω or a current limit circuit can be added. However, this is likely to reduce the quality of the amplifier.

The drivers T3 and T4 are a couple of new transistors from Sanyo. These have a considerably better linearity (h_{FE}) and have a lower capacitance than the MJEs. The maximum collector/emitter voltage is 160 V. At this value (DC), up to 7 mA may be processed (or 20 mA for 1 s). The actual operating voltage for these will in practice be about 100 V. With a current setting of 7 mA, these transistors are operating well inside their safe operating area. These are details that have to be taken into account because of the high power supply voltage.

T3 and T4 are, with the aid of four 1N4148 diodes, biased at a fixed current, so it is not necessary to adjust the

quiescent current. The current through these diodes is set with two symmetrical current sources to a value of about 4.5 mA (T1 and T2). BF-series devices were selected for this application because they have even lower capacitance. Should the availability of the BF469 and BF470 prove to be a problem then it is possible to substitute the same devices as used for T3 and T4, i.e. 2SC2911 (NPN) and 2SA1209 (PNP) respectively. This stage is driven from the middle of D5 through D8, so that the opamp only needs to deliver the amount of current to compensate for the difference in current between T3 and T4. R6 protects the output of IC1 from any possible capacitive feedback from the output stage. The overall feedback loop is set with R4 and R3. This has been quite accurately adjusted for a gain of 10 times ($A = 1 + R4/R3$), so the actual value is 10.09 times. R5 and C1 are the compensation network for the entire amplifier by providing the opamp with local feedback. Note that if you change the gain of the amplifier, the compensation network has to change as well. An NE5534 has internal compensation when the gain is 3 or greater. So the ratio between R5 and R3 must be greater than 2.



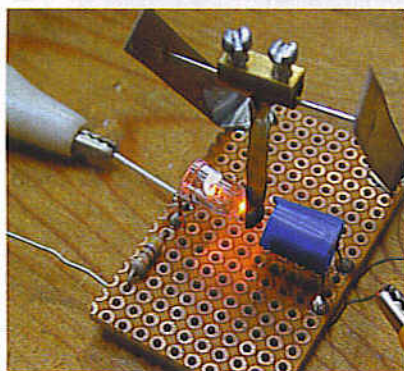
The bandwidth of the amplifier at 11 MHz is quite good (measured at 40 V_{rms}). R2, D1 and D2 provide input protection. R1 determines the input resistance, which is 10 kΩ. The value of R1 may be increased, but the result will be a higher output offset. The bias current of IC1 can easily be 0.5 μA and that explains the offset of 50 mV at the output. For most applications this value will not cause any problems. The power supply for the opamp is

derived from the ±75-V power supply using two zener diodes. This is designed with two parallel resistors so that it is not necessary to use special power resistors. C6 through C9 decouple the output stage and C2 through C5 decouple the opamp. The total current draw of the prototype, after it had warmed up, was about 57 mA. The 'High voltage supply' elsewhere in this issue can be used as the power supply.

(D44036-1)

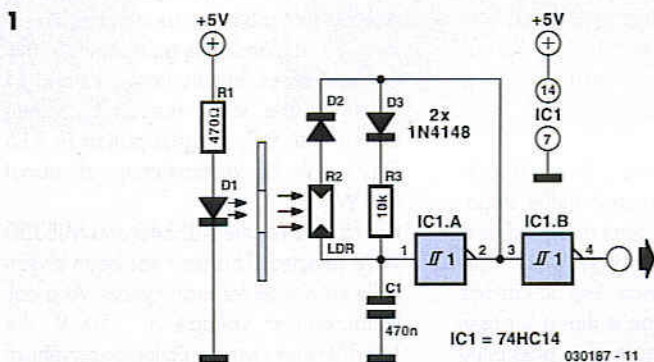
002

Attitude Sensor



Bernd Oehlerking

The circuit presented here (in two versions) uses a light barrier as a position sensor. In the first version (**Figure 1**), the light barrier consists of an LED (D1) for the light source and a LDR (R2) for

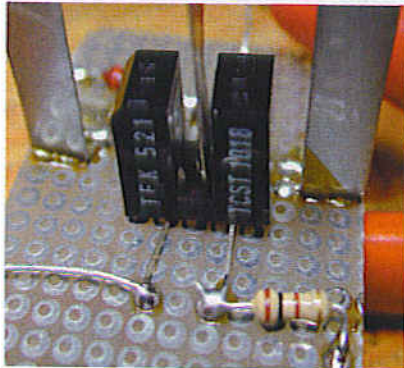


the receiver. The LDR is part of a CMOS oscillator that generates a digital signal (pulse waveform) whose high/low ratio (duty cycle) and frequency depend on the intensity of the impinging light. With the arrangement shown in the photo, the sensor is used together with a posi-

tioner. The light-dependent resistor is more or less obscured by a pendulum, so the duty cycle and frequency of the output signal depend on the position of the actuator. If the LED and pendulum are omitted, the light falling on the light-dependent resistor can also be used to

directly determine the frequency and duty cycle.

The second version (**Figure 2**) represents a refinement of the positioning mechanism. As can be seen in the photo, it differs from the first version by using a slotted light barrier. The pendulum that swings in the slot of the light barrier is formed by two simple strips of tinplate (which can be cut from a tin), which are bound together using a cloth-covered elastic band. A bit of solder applied to the end of the strips provides the pendulum weight.



As in the first version, the light receiver (photodiode) of the slotted light barrier is more or less obscured depending on the position of the positioner. The photodiode in turn drives a pulse generator made from two CMOS Schmitt-trigger inverters, whose duty cycle and frequency are highly variable. A dc voltage that directly indicates the position of the pendulum can be generated from the pulse waveform using a low-pass RC network connected to the output of the generator.

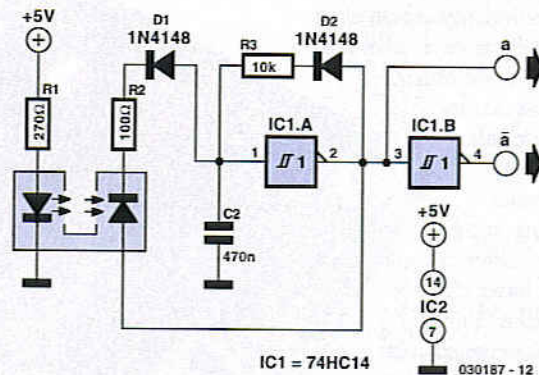
Suitable types of slotted light barriers are

for example the TCST 1018 and TCST 2000 (Conrad).

The idea for this positioner came from working with a multi-rotor helicopter whose motor speeds had to be adjusted if the helicopter threatened to tip over. There are certainly other possible applications (such as a tremor sensor) for this sensor, which is easy to build and adjust and which responds to only a few degrees of tilt with a large change in duty cycle.

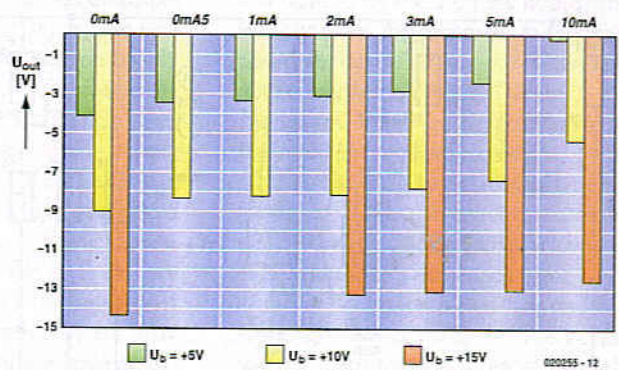
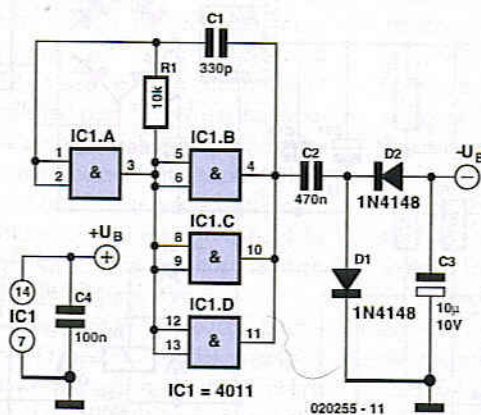
(030187-1)

2



Negative Auxiliary Voltage

002



Ludwig Libertin

Some circuits need a negative supply voltage that only has to supply a small current. Providing a separate transformer winding for this (possibly even with a rectifier and filter capacitor) would be a rather extravagant solution. It can also be done using a few gates and several passive components.

The combination of gate IC1a and the other three gates (wired in parallel) forms a square-wave generator. D1 and D2 convert the ac voltage into a dc voltage.

As a CMOS IC is used here, the load on the negative output is limited to a few milliampères, depending on the positive supply voltage (see chart), despite the fact that three gates are connected in paral-

lel. However, as the figure shows, the negative voltage has almost the same magnitude as the positive input voltage, but with the opposite sign. If a clock signal in the range of 10–50 kHz is available, it can be connected to the input of IC1a, and R1 and C1 can then be omitted.

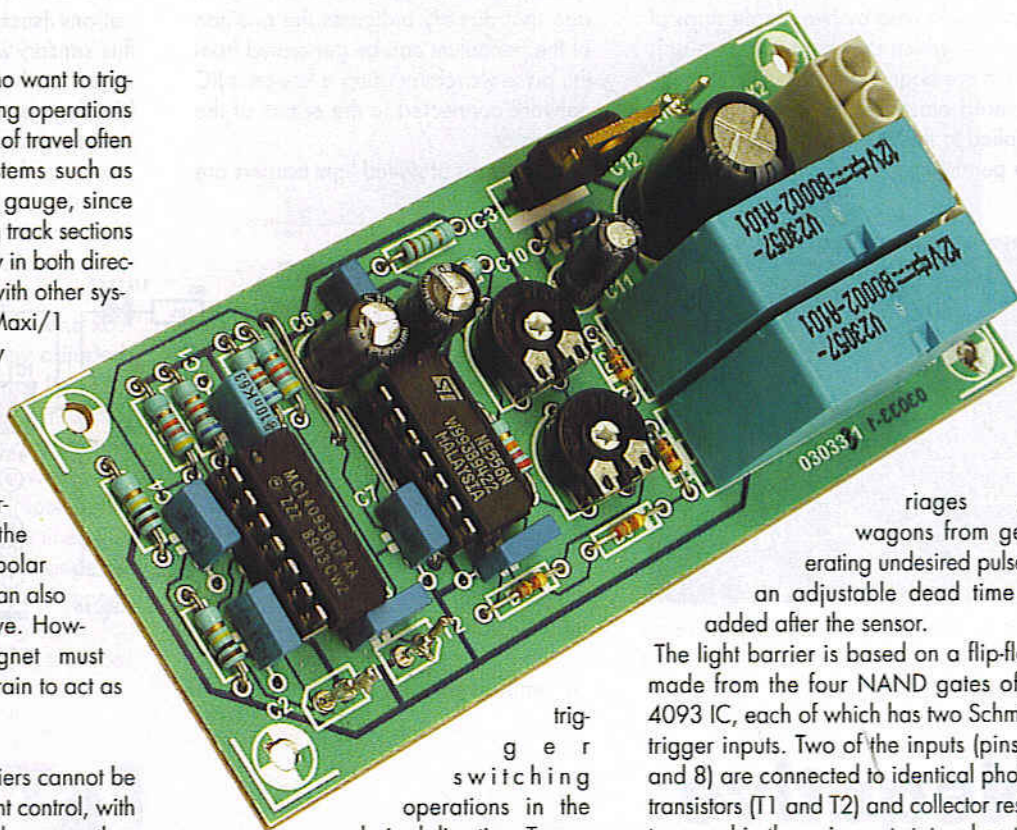
(020255-1)

Direction-Sensitive Light Barrier

Robert Edlinger

Model railway hobbyists who want to trigger train-controlled switching operations depending on the direction of travel often have things easy with systems such as Märklin HO or Miniclub Z gauge, since the corresponding switching track sections can be actuated individually in both directions. Things are different with other systems, such as the Märklin Maxi/1 gauge. Here it's necessary to use selective switching hardware for this purpose. A popular approach is to use reed switches together with permanent magnets fitted to the bases of the vehicles. Unipolar and bipolar Hall switches can also achieve the same objective. However, a permanent magnet must always be present on the train to act as a trigger element.

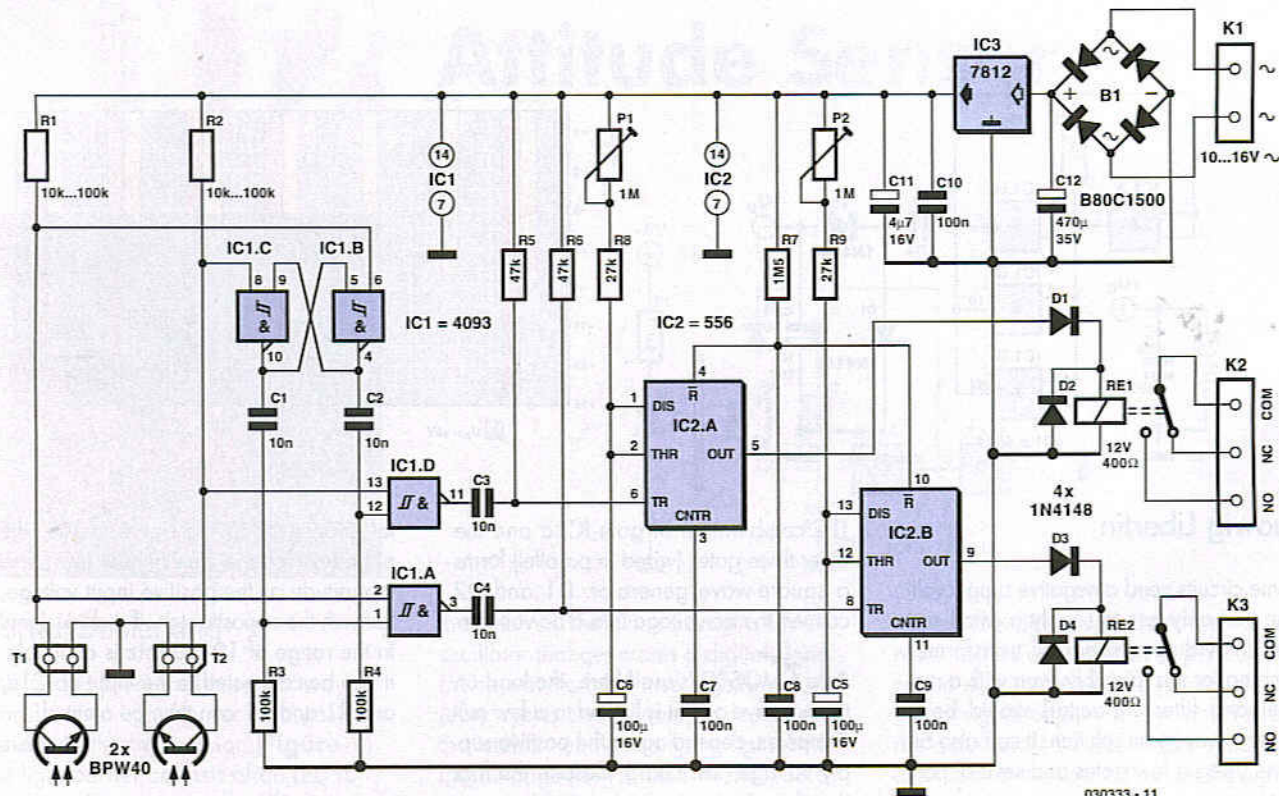
Although normal light barriers cannot be used for direction-dependent control, with a bit of additional effort and expense they can be built such that trains selectively

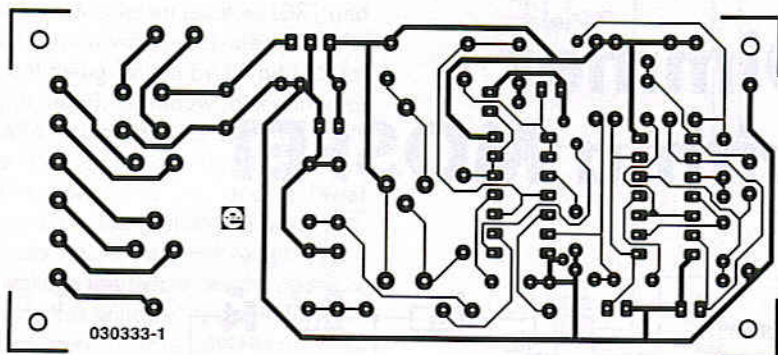
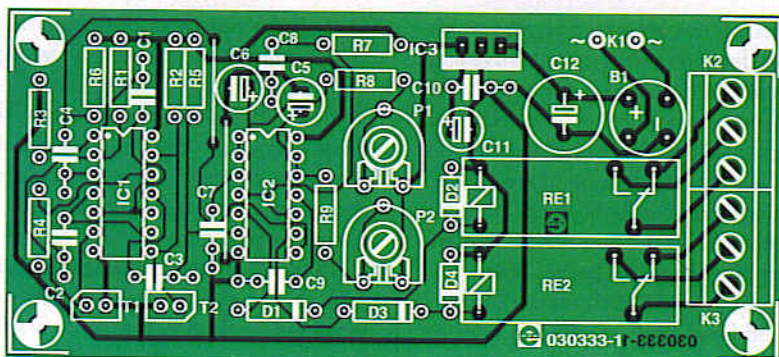


trigger switching operations in the desired direction. To prevent the gaps between car-

riages or wagons from generating undesired pulses, an adjustable dead time is added after the sensor.

The light barrier is based on a flip-flop made from the four NAND gates of a 4093 IC, each of which has two Schmitt-trigger inputs. Two of the inputs (pins 6 and 8) are connected to identical phototransistors (T1 and T2) and collector resistors, and in the quiescent state when the phototransistors are illuminated and thus





COMPONENTS LIST

Resistors:

R1, R2 = 10-100k Ω (see text)
 R3, R4 = 100k Ω
 R5, R6 = 47k Ω
 R7 = 1M Ω
 R8, R9 = 27k Ω
 P1, P2 = 1M Ω preset

Capacitors:

C1-C4 = 10nF
 C5, C6 = 100 μ F 16V radial
 C7-C10 = 100nF
 C11 = 4 μ F 7 16V
 C12 = 470 μ F 35V

Semiconductors:

B1 = B80C1500 (80V piv, 1.5A)
 D1-D4 = 1N4148
 IC1 = 4093
 IC2 = 556
 IC3 = 7812
 T1, T2 = BPW40

Miscellaneous:

RE1, RE2 = 12V relay (400 Ω),
 1-changeover contact
 K1 = 2 solder pins
 K2, K3 = 3-way PCB terminal block, lead
 pitch 5mm
 PCB, order code 030333-1 from The
 PCBShop

conducting, they remain Low. Both gate outputs (pins 4 and 10) are then High. If a vehicle now blocks one of the phototransistors (for example T1, although the circuit naturally works the other way around as well), the signals on the input and output of gate IC1d change levels. The output of gate IC1c is not affected by this, even though its 'internal' input (pin 9) goes low. If the vehicle also blocks T2 as well, nothing changes until it has travelled past T1. When that happens, the pin 4 output goes High again, but the pin 10 output toggles Low. When the vehicle has finally passed both phototransistors, pin 10 also goes back to the High level. The flip-flop is then restored to its original state.

For this behaviour to take occur, phototransistors T1 and T2 must be arranged such that when a vehicle passes by, at first only one of them is blocked, then both, and finally only the other one. This means that the distance between the phototransistors must always be less than the length of the vehicle.

When an output level changes, a pulse with a duration of around 10 ms appears at the input of gate IC1b (pin 12) or IC1a (pin 1). The time constants are determined by the timing networks (R3/C1 and R4/C2). As a High level (generated by the obscured phototransistor) is required

on the other gate input (pin 13 or 2) to allow the pulse to pass through the gate, only one of these two pulses can proceed further to act as a trigger signal for the subsequent timer stage.

The two identically configured timers of the 556 dual timer IC function as monostable multivibrators, and thus act as pulse stretchers. Each of them drives an output relay with switchover contacts. The time constants of the monostables can be varied over the range of 3-170 s using the adjustment networks P1/R8/C6 and P2/R9/C5, independent of the supply voltage. RC network R7/C8 ensures that the two timers are in the quiescent state (outputs Low) after power is switched on. Freewheeling diodes D2 and D4 are essential with inductive loads; they bypass the counter-EMFs generated by the relay coils. D1 and D3 keep the voltage across the freewheeling diodes away from the timer outputs. If you want to have a visual operation indicator, D1 and D3 can be replaced by red LEDs with a voltage drop of 1.6-2.0 V. As the circuit dissipates a fair amount of power, a small heat sink is recommended for the fixed voltage regulator (IC3), to keep it from overheating. We have designed a circuit board layout for this circuit, which can be fitted with components fairly quickly. Don't overlook the (single) wire bridge between C6 and

R5, and ensure that the electrolytic capacitors, diodes, transistors and ICs are fitted the right way around. The ICs can be fitted in sockets if you wish.

As the circuit board is relatively large, it probably should be mounted 'under the floor'. In that case, the phototransistors will have to be fitted off the board. The leads from the phototransistors to the circuit board should be screened and certainly not be longer than around 10 cm.

The values of the two collector resistors (R1 and R2) for phototransistors T1 and T2 can be varied over a wide range (10 k Ω to 100 k Ω) in order to match the sensitivity to specific conditions. However, increasing the resistance not only increases the response sensitivity and thus the range, it also increases the susceptibility to interference from stray light (which is any how rather high). If you have to deal with bright stray light (direct sunlight or fluorescent lamps in the immediate vicinity), you should fit the transistors with lengths of small-diameter plastic tubing blackened on the inside and/or IR filters with maximum sensitivity in the invisible spectral range of 800-900 nm. Small incandescent lamps (16 V, 1 W), which naturally also emit IR light, are suitable as light sources. If a visible light source is undesirable, the lamps can be

almost completely 'camouflaged' using infrared filters. The other option is to invest in IR diodes: high-power types such as the SFH485 (100 mA max, 950 nm) allow barrier widths of more than 10 cm without any lenses. With suitable reflectors (with or without lenses), the range can be significantly increased. A value of $180 \Omega / 1 \text{ W}$ is recommended for the series resistor.

This bidirectional light barrier is suitable for a variety of tasks. For instance, one

relay output can serve as a layover switch in one direction, while a train travelling in the other direction can cause a turnout or points to be actuated. A voice recorder prepared with whistle or bell signals can also be triggered by one of the relays. Flashing warning lights can also be driven, or the relays can act as an automated 'signalman' for barrier gates.

Naturally, this light barrier circuit can also be used for all sorts of counting tasks or as an alarm generator in domestic situa-

tions, if the nature of the object to be detected makes this possible. If only relatively short pulses (on the order of a tenth of a second) are needed, for instance to drive a counter, the RC networks that determine the timer values must be correspondingly modified. Photoresistors in miniature packages can be placed so close together that entomologists could even use the circuit to count exactly how many bees or bumblebees fly in or out.

(030333-1)

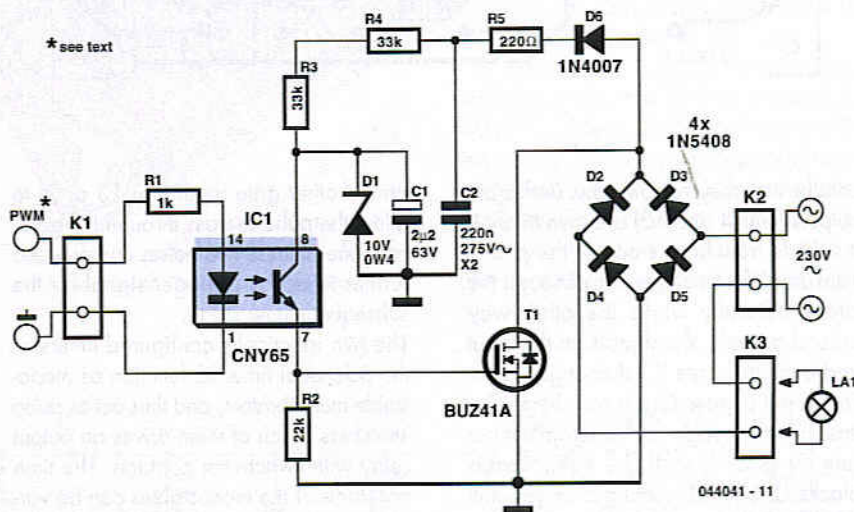


Dimmer with a MOSFET

Ton Giesberts

This circuit shows that dimmers intended for use at mains voltage do not always have to contain a triac. Here, a MOSFET (BUZ41A, 500 V/4.5A) in a diode bridge is used to control the voltage across an incandescent bulb with pulse-width modulation (PWM). A useful PWM controller can be found elsewhere in this issue. The power supply voltage for driving the gate is supplied by the voltage across the MOSFET. D₆, R₅ and C₂ form a rectifier. R₅ limits the current pulses through D₆ to about 1.5 A (as a consequence it is no longer a pure peak rectifier). The voltage across C₂ is regulated to a maximum value of 10 V by R₃, R₄, C₁ and D₁.

An optocoupler and resistor (R₂) are used for driving the gate. R₁ is intended as protection for the LED in the optocoupler. R₁ also functions as a normal current limiting device so that a 'hard' voltage can be applied safely. The optocoupler is an old acquaintance, the CNY65, which provides class-II isolation. This ensures the safety of the regulator. The transistor in the optocoupler is connected to the positive power supply so that T₁ can be brought into conduction as quickly as possible. In order to reduce switching spikes as a consequence of parasitic inductance, the value of R₂ has been selected to be not too low: 22 k Ω is a compromise between inductive voltages and switching loss when going into and out of conduction. An additional effect is that T₁ will conduct a little longer than what may be expected



from the PWM signal only. When the voltage across T₁ reduces, the voltage across D₁ remains equal to 10 V up to a duty cycle of 88 %. A higher duty cycle results in a lower voltage. At 94 % the voltage of 4.8 V proved to be just enough to cause T₁ to conduct sufficiently. This value may be considered the maximum duty cycle. At this value the transistor is just about 100 % in conduction. At 230 V mains voltage, the voltage across the lamp is only 2.5 V lower, measured with a 100-W lamp.

Just to be clear, note that this circuit cannot be used to control inductive loads. T₁ is switched asynchronously with the mains frequency and this can cause DC current to flow. Electronic lamps, such as the PL types, cannot be dimmed with this circuit

either. These lamps use a rectifier and internally they actually operate off DC.

A few remarks about the size of R₃ and R₄. This is a compromise between the lowest possible current consumption (when the lamp is off) and the highest possible duty cycle that is allowed. When the duty cycle is zero, the voltage across the resistors is at maximum, around 128 V with a mains voltage of 230 V. Because (depending on the actual resistor) the voltage rating of the resistor may be less than 300 V, two resistors are connected in series. The power that each resistor dissipates amounts to a maximum of 0.5 W. With an eye on the life expectancy, it would be wise to use two 1-W rated resistors here.

(044041-1)

Discrete Robot

006

Gerhard Nöcker

This simple robot, which responds to light and avoids obstacles, can be built without using a microcontroller, programmer or PC. The only 'special' component in the circuit is a window discriminator (a fancy version of a window comparator).

Resistors R1 and R2 in combination with light-dependent resistors LDR1 and LDR2 form a voltage divider (with the current being limited by R1 and R2 for bright light). Window discriminator TCA965 compares the mid-point voltage with an upper threshold value (adjustable using P1) and a lower threshold value (adjustable using P2). Outputs AU, AI, AO, and AA go High if the voltage lies below, inside, above or outside this window, respectively; otherwise they remain Low. Output AA switches transistor T1, which drives the right-hand motor. The light-dependent resistors can be attached on the left and right sides of the vehicle, or at the front and rear. This causes the robot to turn to the right, due to the motor on one side being stopped, until the desired lighting relationship is restored. The vehicle will then continue to travel in a straight line until the lighting relationship again changes, at which point it will again turn, and so on.

You can experiment with various behaviour patterns by using the other outputs of the window discriminator. If a transistor is provided for each of the AU and AO outputs of the TCA965, the robot can be made to travel toward or away from a light source, depending on the connections. Using the window discriminator, the robot will operate under the rules of a three-point controller (left, straight ahead, or right). If you fit the light-dependent resistors in a box under the vehicle together with a light source, you can try to have the robot follow a black line on a white background.

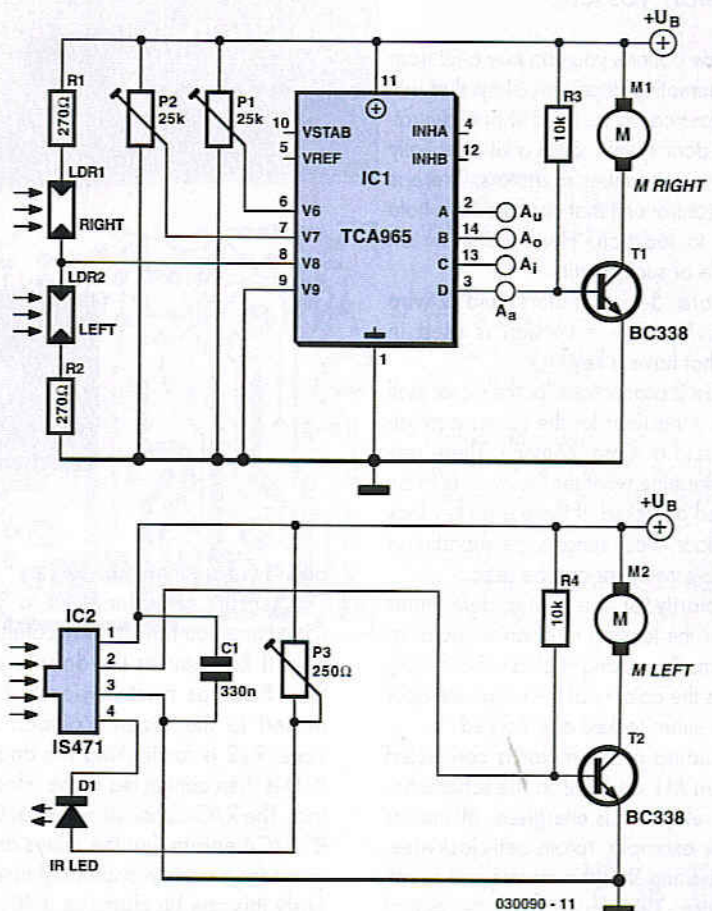
A reflective IR sensor enables the robot to respond to obstacles. This not as simple as it might seem, since the Sharp IS471 operates the IR LED with pulsed light and uses sophisticated detection processing. When an obstacle is detected, the output (pin 2) goes Low and blocks transistor T2. This causes the

motor to stop, and the vehicle will rotate about the stationary wheel until the obstacle is no longer in its path. The sensitivity of the IS471 can be set using P3. As its range is only around 10–15 cm, the vehicle must not travel too quickly, since otherwise it will not be able to avoid obstacles in time.

This part of the circuit is also open for experimentation. If a relatively large and fast robot requires an obstacle detector (or isn't fitted with the IS471), an ultrasonic detector can also be used. Suitable complete construction kits are available from Conrad, for example. You can also fit a suitable mechanical pushbutton switch mounted on a flexible rod. The obstacle detector can also drive a warning buzzer or a lamp; the circuit leaves lots of room for your own ideas.

The circuit works over a wide range of supply voltages from 4.5 to 16 V. If larger motors are used, transistors with increased power-handling capacity and heavier batteries are necessary. The author connected two 4.8-V rechargeable batteries in series and used BC388 transistors as drivers for Lego micromotors. You can build the robot entirely according to what you have in your parts box. The mechanical elements can also be freely selected, but they partially determine the behaviour and operation of the robot. The author's robot is made from a Lego chassis with a prototyping board holding the circuitry attached using elastic bands. The motors are fitted on the left-hand and right-hand sides. The third wheel at the front can turn freely.

One problem must be mentioned: if an obstacle is detected while an incorrect lighting relationship is present, the vehicle remains standing. In this case, a bit of logic could be added to cause both motors to rotate in reverse. However, that would require directional switches for the motors or motor driver ICs (L293D). The simple circuit would become more complicated and larger, and at some point you would end up using a microcontroller after all — but that's just the point of the story.



030090 - 11

(030090-1)

Car Central-Locking System

Christian Vossen

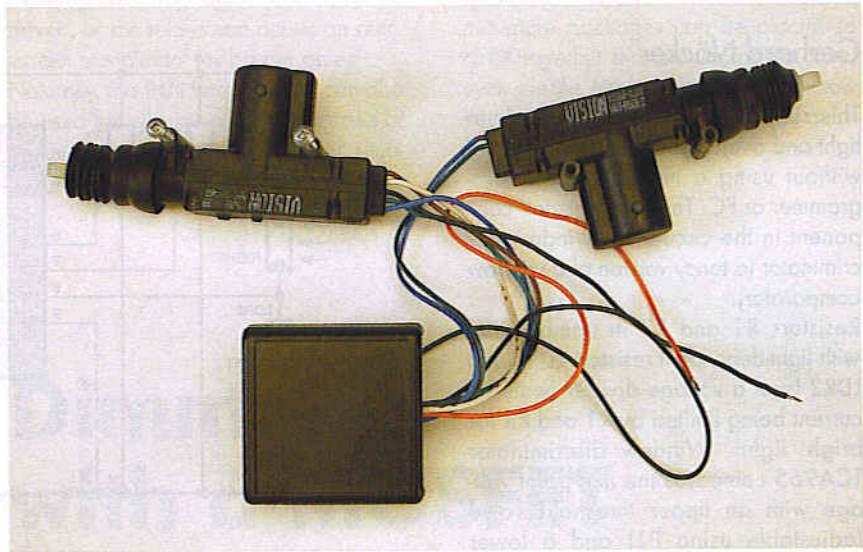
For a few pounds you can buy a kit from any automotive accessory shop that will allow your car to be fitted with a central-locking door system. Such a kit essentially comprises a number of motors. There is also a control unit that enables the whole system to function. Here we show an example of such a unit.

There are 5-wire motors and 2-wire motors. The 5-wire version is used in doors that have a key-lock.

There are 2 connections for the motor itself and 3 connections for the sensor part (an 'open' and a 'close' contact). These sensors determine whether the door is to be unlocked or locked. If there is no key lock in the door, these sensors are superfluous and a 2-wire motor can be used.

The polarity of the motor determines whether the locking mechanism goes up or down. By making a circuit that simply reverses the polarity of the motor, the door can be either locked or unlocked.

The winding of the motor is connected between M1 and M2 in the schematic. When relay Re1 is energised, all motors will, for example, rotate anti-clockwise. By activating Re2 the motors will rotate clockwise. This depends on the actual



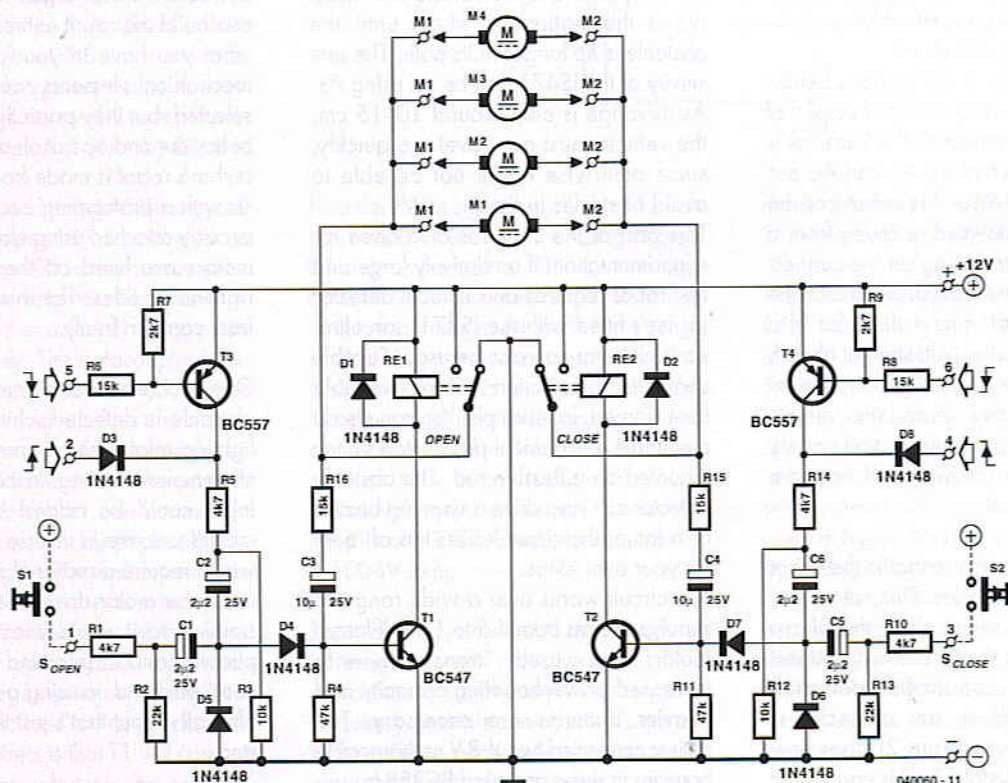
polarity of the motor, of course.

The sensors are connected to R1 and R10. Here you have to pay careful attention. If Re1 causes the door to unlock, then Re1 has must obviously be connected to the 'open' contact. In that case, Re2 is for locking the doors and R10 is then connected to the 'close' contact. The R/C-combinations R16/C3 and R15/C4 ensure that the relays are energised for a certain amount of time (obviously this can be changed if this time is

too short or too long for your doors). This time has to be just long enough to lock or unlock the doors. The third wire of the sensors is the common and has to be connected to +12 V.

The RC circuits at the inputs S_{open} and S_{close} ensure that the motors are driven only once when the door is locked or unlocked.

In addition, there is a provision to allow the unit to be connected to a car alarm. There are two types of alarm available,



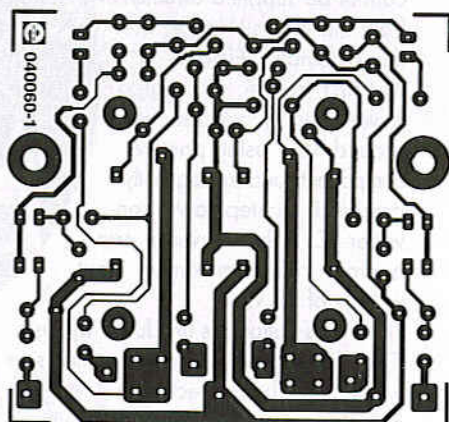
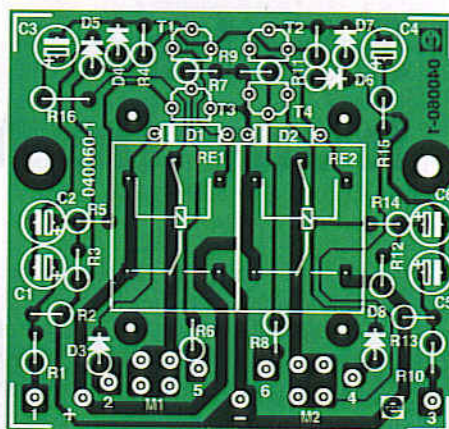
with positive or negative control. In order to make the unit universally applicable, both types of alarm can be used. The circuit around T3 and T4 makes this possible. The diode inputs (D3 and D8) react to a rising edge, R6 and R8 react to a falling edge. An RC time constant is used here as well to ensure that both relays are energised only once.

Maybe this is stating the obvious: a motor unit has to be built into each door. All motor wires and sensor wires are connected in parallel to the electronics.

The actual type of relay is not critical. The type indicated has the following properties: coil 12 V/400 Ω ; max. switching current 12 A (AC), max. switching power 1200 VA.

Finally, a car is a hostile environment for electronics. Ensure good connections, use automotive connectors and crimp these on the wires using the appropriate crimping tool. Solder connections in wires are best avoided. They have the tendency to break where the wire transitions into the solder connection when the wire is subject to vibration. Fasten the wires at regular intervals.

(040060-1)



COMPONENTS LIST

Resistors:

R1, R5, R10, R14 = 4k Ω
 R2, R13 = 22k Ω
 R3, R12 = 10k Ω
 R4, R11 = 47k Ω
 R6, R8, R15, R16 = 15k Ω
 R7, R9 = 2k Ω

Capacitors:

C1, C2, C5, C6 = 2 μ F 25V radial
 C3, C4 = 10 μ F 25V radial

Semiconductors:

D1-D8 = 1N4148
 T1, T2 = BC547B
 T3, T4 = BC557B

Miscellaneous:

RE1, RE2 = PCB mount relay, 12 V, 1 x changeover, size 19x15.5x15.5 mm (e.g. Conrad Electronics # 504289)

PCB, order code 040060-1 from The PCBShop

BTX

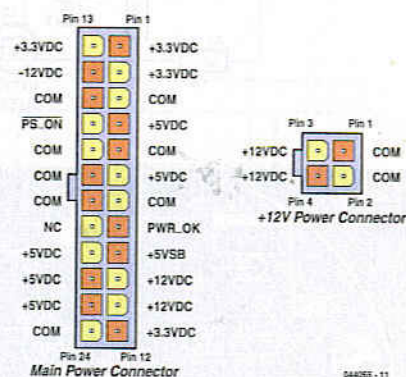
Karel Walraven

What did you say BTX was again? Well, it's just the successor of ATX! ATX is the collective term for the electrical and mechanical characteristics of the present generation of motherboards in your PC. There is now a new standard in its place, BTX (**Balanced Technology eXtended Form Factor**), with the main advantages of more compact dimensions and better heat removal. When grouping the components on the PCB, careful attention is paid to power dissipation and the possibility of efficiently removing the heat. This is necessary because the CPU meanwhile needs to dissipate 100 W and a respectable video card can easily dissipate 50 W. That is why there has to be serious consideration of how the heat can be removed from the case, where wide cables and other obsta-

cles are no longer allowed to be in the way (also refer to SATA elsewhere in this issue). That the energy consumption is continually increasing can be deduced from the ever more powerful PSU units. While 10 years ago a 150-W power supply was quite adequate, these days 350 or 400 W is the norm. With the BTX standard, there is the assumption of a fan for the power supply (just as before), but also a separate second cooling circuit for the motherboard, drawing in cold air from outside the case and blowing out warm air via a separate path, completely independent of the fan in the power supply.

BTX power supplies will also be able to supply more power. There is a new standard for the power supply connector that increases the number of pins from the current 20 to 24 ('Main power connector'). The first 20 pins keep the same functional-

008



044055-11

ity as with ATX motherboards (only -5 V has been omitted!). The extra 4 pins are for more 3.3-V, 5-V and 12-V connections (refer figure). In addition, there has to be a separate 4-way connector ('+12 V power connector') that's intended to power the CPU only.

(044055-1)

5 volts from the Mains

Paul Goossens

Sometimes we would like to hide certain equipment to prevent cluttering up our living room or any interior in general. A number of devices lend themselves to be built into a wall adapter. Think of a remote-control extender, for example.

All these devices need a power supply and we would prefer to use the mains so that no external connections are required for the power supply.

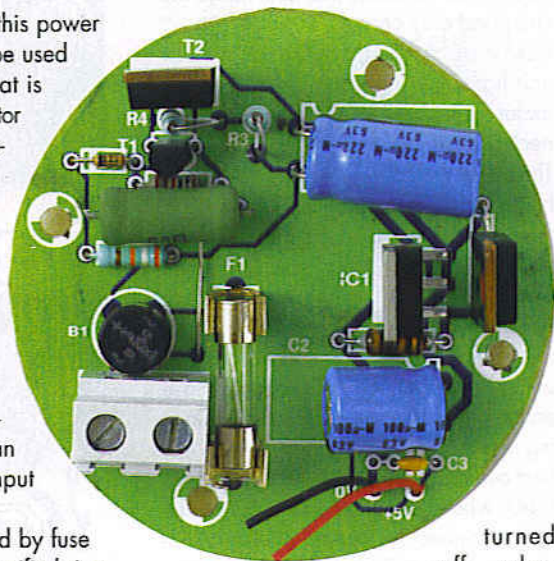
The power supply in this article is intended for exactly these situations, namely converting the mains voltage to a 5-V power supply voltage. The accompanying PCB fits exactly in a round wall socket enclosure.

A power supply is usually fitted with a transformer to reduce the voltage and also provide galvanic isolation between

the device and the mains. In this power supply a transformer cannot be used because of lack of space. That is why we use a step-down regulator here. A problem with most step-down regulators is that they cannot be supplied directly from the mains. Hence, in this schematic (Figure 1) we first create a rough power supply voltage of around 40 V using passive components and subsequently present it to step-down converter IC1. The converter can operate from a maximum input voltage of 45 V.

The mains voltage is first fused by fuse F1 and then converted to full rectified sine wave by the bridge rectifier.

FET T2 is used as a switch, which is



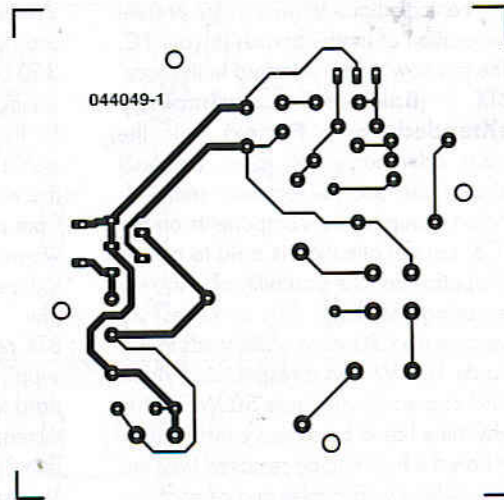
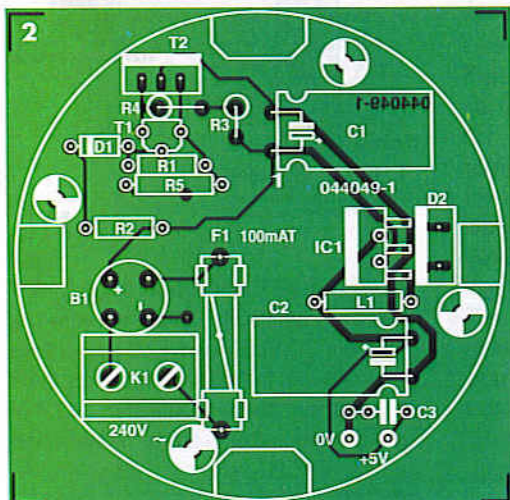
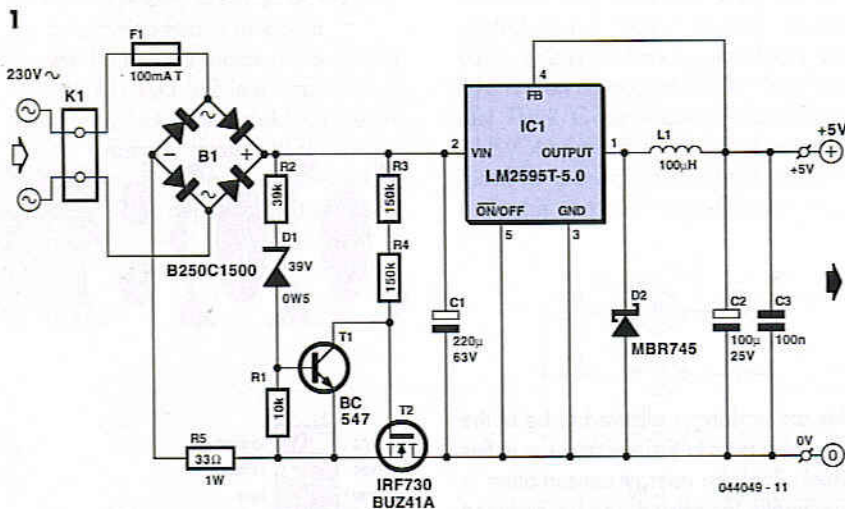
turned off when

the voltage is greater

than 40 V. The gate of T2 is driven via R3 and R4. As soon as the voltage exceeds the value of 40 V, transistor T1 will conduct which causes the gate-drain voltage of T2 to be so small that T2 stops conducting. Because of this, electrolytic capacitor C1 cannot charge any further and the maximum voltage across C1 is therefore limited to about 40 V.

This voltage is converted by IC1 and surrounding components to a 5-V power supply voltage. The maximum output current is 1 A.

The PCB (Figure 2) that has been designed for the power supply fits, as mentioned before, in a round wall socket enclosure. Note that resistor R1 and the link have to be soldered first, then comes R5, in the air above R1 because of the tight space.



Populating the remainder of the PCB should not present any difficulties. When mounting the PCB, do note that it is directly connected to the mains, so make sure no conductive parts can be touched when the circuit is in use. The mounting

holes are separated less than 6 mm from the PCB traces so the board has to be secured with plastic screws in order to satisfy the safety requirements. Also, after fitting the board, a cover has to be mounted over the PCB so that it is impos-

sible to touch the PCB when the wall socket is opened. As always, you cannot be too careful when dealing with mains voltages!

(044049-1)

COMPONENTS LIST

Resistors:

R1 = 10k Ω
R2 = 39k Ω
R3,R4 = 150k Ω
R5 = 33 Ω

Capacitors:

C1 = 220 μ F 63V radial
C2 = 120 μ F 25V radial
C3 = 100nF

Semiconductors:

B1 = B250C1500, round case
D1 = zener diode 39V, 0.5W
D2 = MBR745
IC1 = LM2595T-5.0

T1 = BC547B
T2 = IRF730 or BUZ41A

Miscellaneous:

F1 = fuse, 100 mA (slow), with PCB mount holder and cap
K1 = 2-way PCB terminal block, lead pitch 7.5mm
L1 = 100 μ H choke
PCB, available via The PCBShop

I²C and SMBus



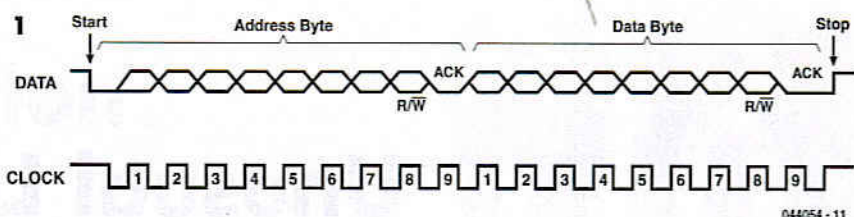
Paul Goossens

The I²C-bus has been dealt with before in *Elektor Electronics*. Most readers will know that this bus requires only two signals to communicate between, for example, a controller and one or more ICs in a circuit. We may also assume that it is well known that this bus was developed by Philips and is used mainly in televisions, video recorders, tuners, etc.

Unfortunately, the I²C-bus lacks a number of features that manufacturers of computer motherboards require. They therefore developed their own bus, which has been derived from the I²C-bus. This bus goes by the name SMBus (System Management Bus). The main task for the protocol is to provide communications between the processor and various temperature sensors, battery management/charging-chips and even memory modules, etc. in a PC. Because the SMBus has been derived from the I²C-bus, there are obviously a number of similarities. It is in many cases even possible to let components with an I²C-bus communicate with those with an SMBus and vice versa.

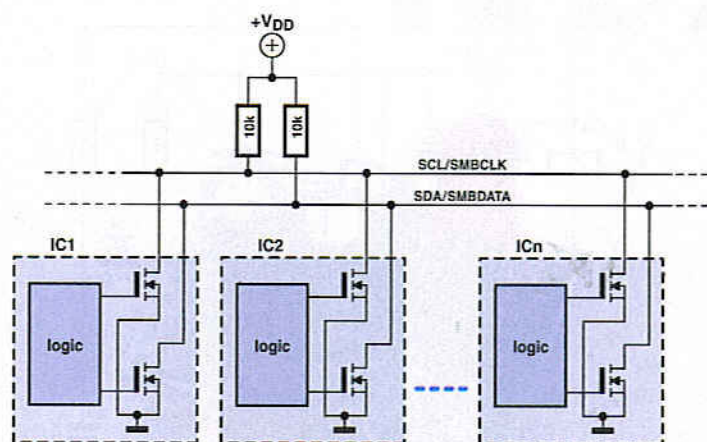
The similarities

Both bus protocols make use of the same start and stop mechanism. A start-condition



044054 - 11

2



044054-12

tion can be recognised by the falling edge on the data line while the clock line remains high. With a stop-condition, a rising edge appears on the data line while the clock line is high. These two conditions are the only situations where the data line may change level when the clock line is high. This can be seen in **Figure 1**.

Following the start condition there is the 7-bit address that has to be unique for each device connected to the bus. Another similarity is that the bus has a single pull-up resistor for each signal and the connected chips drive these signal lines with an open-source output, as can be seen in **Figure 2**. This forms a so-called wired-OR configuration. As soon as one

of the chips pulls a signal line to ground, the signal will have a low level, irrespective of what the other chips try to do.

The differences

Naturally there are also a number of differences between the two protocols. We start with the clock speed. With I²C-bus this can vary from 0 to 100 kHz in NORMAL mode and up to 400 kHz in FAST mode. With the SMBus, the clock speed has to be between 10 kHz and 100 kHz. The minimum speed is the result of an additional provision of the SMBus. If the clock line is low for more than 35 ms a time-out situation occurs. All chips on the bus have to detect this time-out and ignore all communications until a valid start-condition occurs. This prevents one chip from disabling the entire communication of the bus.

Another difference is the specified levels for logic high and logic low. In the I²C-specifications a low level is defined as 1.5 V, while with the SMBus a level less than 0.8 V is required. The high-level is different as well: with I²C this has to be a minimum of 3 V, while with the SMBus a

Finding the correct signals in a PC

To experiment (at your own risk!) with the SMBus (and I²C) it is necessary to find the signals Vcc, GND, SMBCLK and SMBDATA in the PC. The easiest place to find these signals is on the memory modules. Every memory module has besides the memory chips a small EEPROM, which contains the necessary information about the memory module for the BIOS. These EEPROMs all communicate via the SMBus. This is therefore the ideal location to tap into the required signals.

level of 2.1V or higher is considered a high level.

This difference in the required voltage levels would indicate that both protocols cannot be used with each other. In practice this is not so much of a problem, since most chips will generate signals that range from about zero to nearly the power supply voltage.

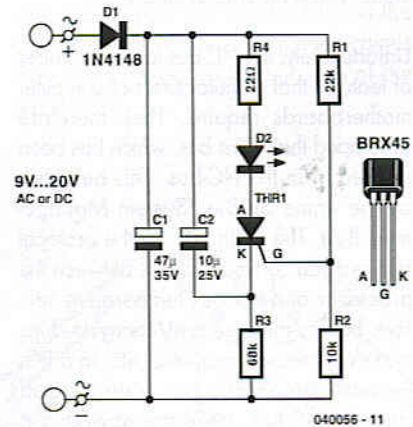
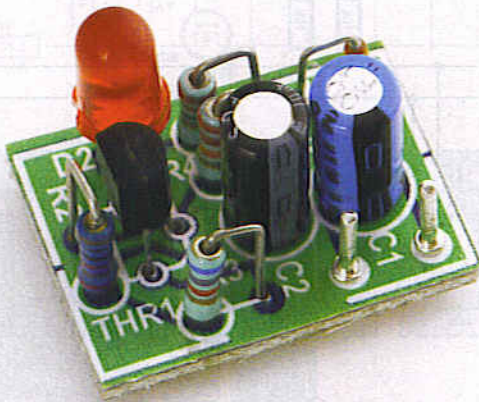
The outputs of an SMBus IC are specified to be able to sink at least 100 μ A, while I²C requires a minimum sink current of 3 mA. All this is related to the fact that the

SMBus is also used in laptops and therefore have to be a little thrifty with power consumption. This means a higher pull-up resistor is required. A value of 10 k Ω is usually a good starting value so that both SMBus-ICs and I²C-ICs can communicate together on the same bus.

There are also a number of subtle differences, such as maximum bus capacitance, rise- and fall-times, etc, but nothing that will prevent you from connecting an I²C chip to the SMBus or the other way around.

(044054-3)

Unusual LED Blinker



Robert Edlinger

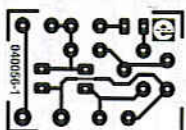
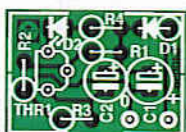
This LED blinker manages with only a few components and is dimensioned to operate from an ac supply in the range of 4-16 V (6-24 V dc). As its current con-

sumption is less than 1 mA, it's also suitable for long-term battery-powered operation. It thus offers several advantages in various applications, compared with using the well-known 555 timer IC as an astable multivibrator. Depending on the

values of the timing components, the blinking rate ranges from 1 to 1.5 Hz. Although the duration of each blink is only a few milliseconds, a high brightness level is achieved by using a relatively high LED current. There are numerous

potential applications for this circuit in model railway systems, in both stationary and moving equipment.

An small, inexpensive thyristor serves as an oscillator. Voltage divider R1/R2 holds the voltage on the gate lead (G) to approximately 20 % of the supply voltage. Capacitor C2 charges via R3. This causes the voltage on the cathode (K) to drop until it is around 0.5 V to 1 V below the gate voltage (depending on the thyristor type), at which point the gate current is sufficient to trigger the thyristor.



Capacitor C2 then discharges via the cathode-anode junction, R4 and the LED. The only purpose of R4 is to limit the LED current to a permissible value. After C2 has discharged, the cathode-anode junction is again cut off, since the resistance of R3 is so high that the sustaining current level (which is less than 5 mA for the BRX45-57 family) is not achieved. The next blink cannot occur until C2 has again charged.

The blinking rate can be adjusted over a wide range by varying the values of R3 and/or C2. The listed thyristor is recom-

mended for use in this circuit due to its high gate current sensitivity (<0.2 mA). Practically any model railway transformer or bell transformer can be used as a power source. A half-wave rectifier and small filter capacitor are adequate for rectifying the supply voltage.

The components can be fitted to a small printed circuit board or a small piece of perforated board. The blinker can also be powered from a dc source (5-24 V). In that case, D1 provides reverse-polarity protection.

(040056-1)

COMPONENTS LIST

Resistors:

R1 = 22k Ω
R2 = 10k Ω
R3 = 68k Ω
R4 = 22 Ω

Capacitors:

C1 = 47 μ F 35V
C2 = 10 μ F 25V

Semiconductors:

D1 = 1N4148
D2 = low-current LED
THR1 = BRX45

Miscellaneous:

PCB, order code 040056-1 from The PCBShop

On/Off Button

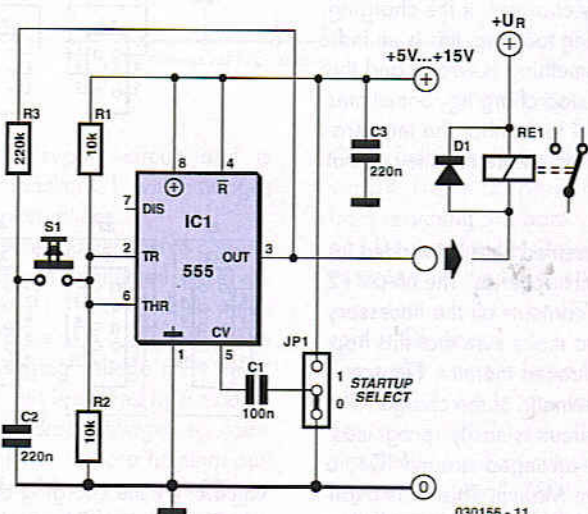
Ger Langezaal

It features at least once in every Small Circuits collection: the 555 timer. In this simple circuit we give the chip a little more attention than usual (refer to 'The Eternal 555' in the July/August 2004 issue). It is astonishing what can be built with a 555. Here at *Elektor Electronics* we are always infatuated with simple circuits using this IC, such as the one shown here. The 555 is used here so that a single pushbutton can operate a relay. If you press the button once, the relay is energised. When you press it again the relay turns off. In addition, it is possible to define the initial state of the relay when the power supply is switched on.

The design is, as previously mentioned, very simple. Using R1 and R2, the threshold and trigger inputs are held at half the power supply voltage. When the voltage at the threshold pin becomes greater than 2/3 of the power supply voltage, the output will go low. The output goes high when the voltage at the

trigger input is less than 1/3 of the power supply voltage. Because C2, via R3, will eventually have the same level as the output, the output will toggle whenever the pushbutton is pressed. If, for example, the output is low, the level of the trigger input will also

012



030155 - 11

become low and the output will go high! C1 defines the initial state of the relay when the power is applied. If the free end of C1 is connected to V_{CC}, then the output is low when C1 is connected to ground.

(030156-1)

NiMH Charger for up to six Cells

Paul Goossens

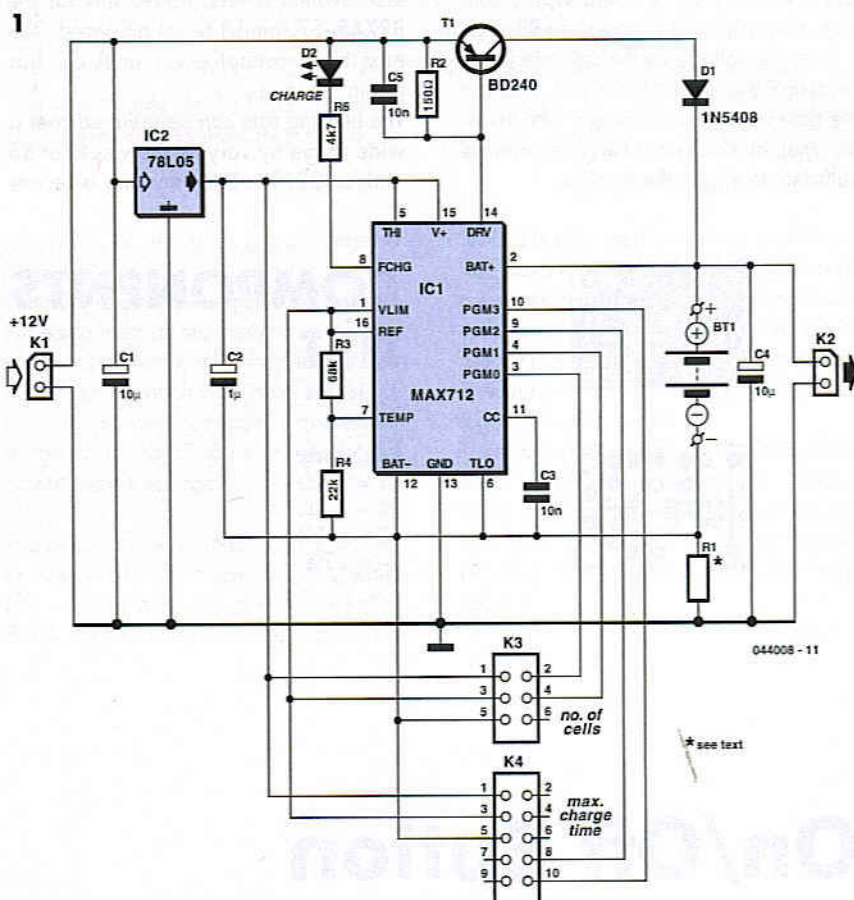
It is impossible to imagine present day society without any batteries. Count the number of gadgets in your house that are powered from batteries, you will be stunned by the number of batteries you will find.

The majority of these devices use penlight batteries and if you're a little environmentally conscious you will be using rechargeable batteries. A few years ago these batteries were invariably NiCd types. However, these batteries suffer from a relatively high rate of self-discharge and from the so-called memory-effect. It is now more common to use NiMH batteries. The advantage is that these batteries do not suffer from the memory-effect and generally also have a much higher capacity, so that they last longer before they have to be recharged again.

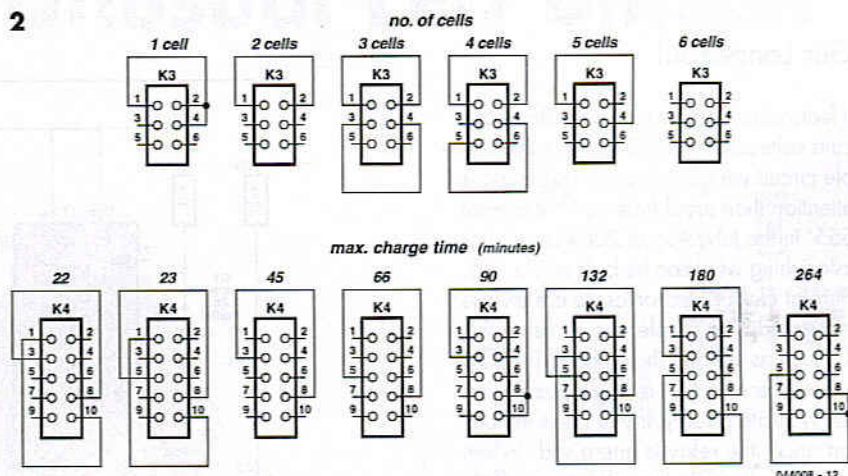
From the above you can conclude that every household these days needs, or could use, a battery charger. A good charger needs to keep an eye on several things to ensure that the batteries are charged properly. For one, the charger has to make sure that the voltage per cell is not too high. It also needs to check the charging curve to determine when the battery is fully charged. If the charging process is taking too long, this is an indication that something is wrong and the charger must stop charging. Sometimes it is also useful to monitor the temperature of the cells to ensure that they do not get too hot.

The circuit presented here is intended for charging NiMH batteries. The MAX712 IC used here contains all the necessary functionality to make sure that this happens in a controlled manner. **Figure 1** shows the schematic of the charger. The heart of the circuit is easily recognised: everything is arranged around IC1, a MAX712 from Maxim. This IC is available in a standard DIP package, which is convenient for the hobbyist because it can be directly fitted on standard through-hole prototyping board.

IC1 uses T1 to regulate the current in the battery. R1 is used by IC1 to measure the current. While charging, IC1 attempts to maintain a constant voltage, equal to 250 mV, across R1. By adjusting the



2



value of R1 the charging current can be set. The value of R1 can be calculated using the formula below:

$$R1 = 250 \text{ mV} / I_{\text{charge}}$$

For a charging current of 1 A, the value of R1 has to be $250 \text{ mV} / 1 \text{ A} = 0.25 \Omega$. The power dissipated by R1 equals $U \times I = 0.25 \times 1 = 250 \text{ mW}$. A 0.5-watt

resistor will therefore suffice for R1. Transistor T1 may need a small heatsink depending on the charging current and supply voltage.

IC1 needs a small amount of user input regarding the maximum charging time and the number of cells in the battery to be charged. IC1 has four inputs, PGM0 to PGM3, for this purpose. These are not ordinary digital inputs (which recognise

only 2 states) but special inputs that recognise 4 different states, namely V+, Vref, BATT- or not connected. To make this a little bit more user friendly, we've brought out the necessary connections to 2 connectors (K3 and K4). A number of dongles have been made (Figure 2) that can be plugged into these connectors and set the number of cells and the maximum charging time.

When determining the maximum charging time we have to take into account the charging current and the capacity of the

cells that are connected. The charging time can be calculated with the formula:

$$T_{\text{charge}} = C_{\text{cell}} / I_{\text{charge}} \times 1.2$$

where C_{cell} is the capacity in Ah (e.g., 1200 mAh = 1.2 Ah).

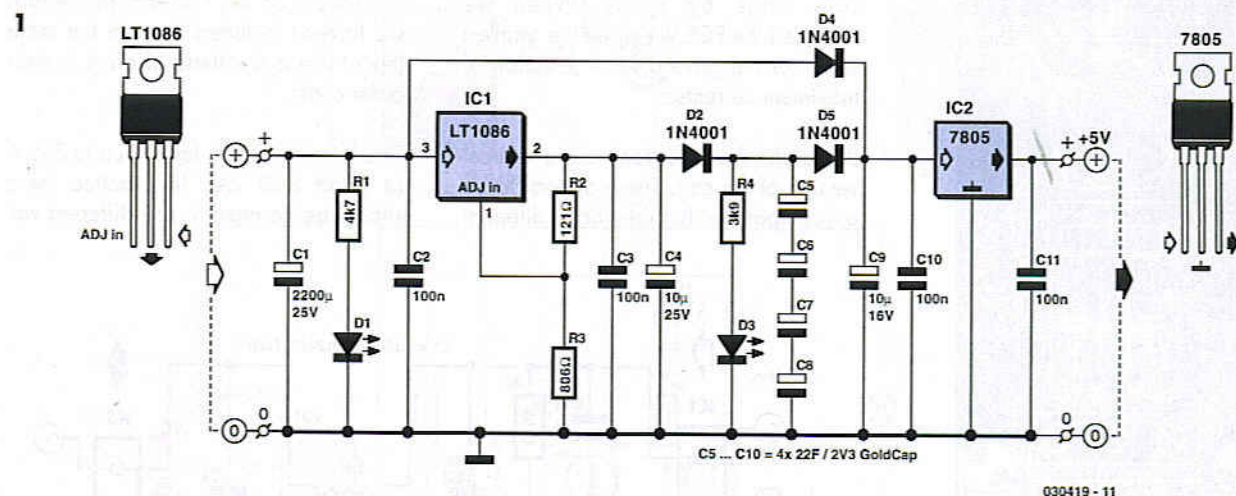
After the nominal charging time has been calculated, we can use the first dongle that has a value that is equal or greater than the calculated charging time. For example, if we calculated a maximum charging time of 38 minutes, we have to

select the dongle for 45 minutes. When IC1 is replaced by a MAX713, the charger becomes suitable for charging NiCd batteries (but not suitable for NiMH batteries any more!). The only difference between these two ICs is the value of the detection point at which the cell(s) are considered to be completely charged. The ICs are otherwise identical with regard to pin-out, method of adjustment, etc. To make it easy to swap between the ICs, we recommend an IC-socket for IC1.

(044008-1)

On-Train Radio Camera

014



Bernd Oehlerking

A radio camera on a model railway should transmit constantly while the train is moving and continue transmitting for a few minutes after the train stops. But if the train starts up again after a relatively long halt, imagery should be transmitted immediately. Consequently, the power source for the camera cannot be rechargeable batteries (since they take too long to charge), nor can it be primary batteries (for environmental reasons). Instead, GoldCaps provide a good alternative. They can be charged in no time flat, and they assure sufficient reserve power for operating the radio camera for a few minutes.

Coming from the left in the schematic shown in Figure 1, the dc voltage

arrives at the supply circuit and is buffered by capacitor C1, which bridges brief power interruptions.

The actual reserve power source consists of four GoldCaps connected in series, each rated at 22 F / 2.3 V, which yields a net capacitance of 5.5 F / 9.2 V. The maximum charging voltage must never exceed 9.2 V. This is ensured by a modern adjustable low-drop voltage regulator (LT1086), which is set to a nominal output voltage of 9.57 V by resistors R2 and R3 (since there is an 0.6-V voltage drop across D5). The LT1086 can handle a current of 1.5 A (with current limiting), so even completely empty GoldCaps can be charged in a few seconds. Whenever the dc voltage is present, the GoldCaps are charged via D2.

When the dc voltage is present, the camera is not powered from the Gold-

Caps, but instead directly from the track via D4. Diode D5 prevents this voltage from reaching the bank of capacitors, and D4 prevents the GoldCaps from discharging via the track when no voltage is present on it. D4 and D5 thus form a sort of OR gate.

The radio camera used by the author requires 5 V and draws a current of approximately 70 mA. This means the circuit must have an output stage consisting of a 'normal' 7805 fixed voltage regulator and the usual capacitors (C9 C10, C11).

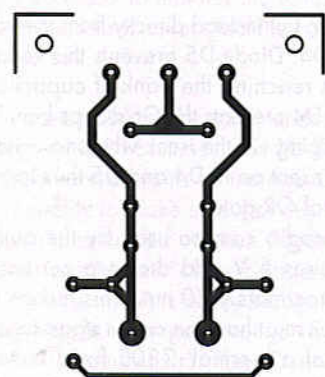
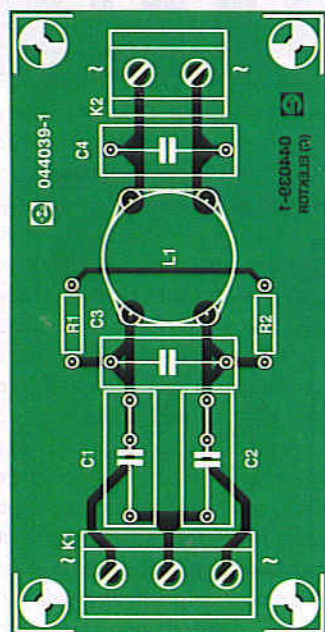
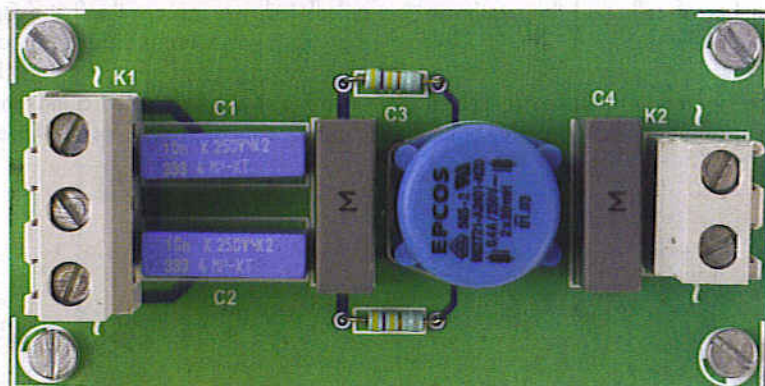
The two low-current LEDs respectively indicate whether voltage is present on the track and whether the storage capacitors are charged. They can also be omitted. The 100-nF capacitors must be placed as close as possible to the voltage regulators.

(030419-1)

Universal Mains Filter

Ton Giesberts

There are plenty of mains filters available, with or without sockets, with or without a switch, etc. In any case, this filter is very versatile as far as the maximum working current is concerned. It so happens that the footprint of the coil remains the same for different currents. Depending on the required specification, you can use a specific coil (which the manufacturer calls a 'Current-Compensated Ring Core Double Choke').

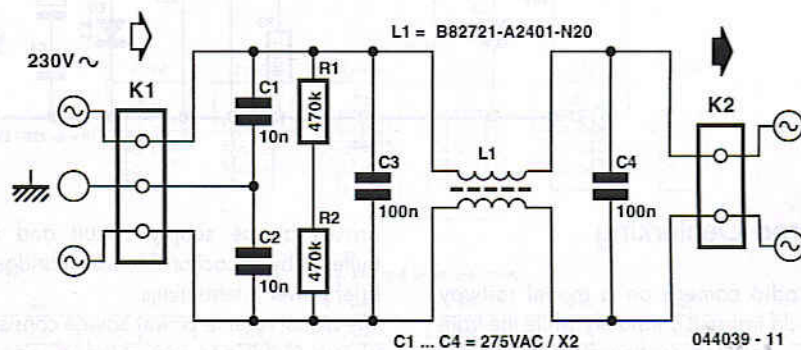


The table below lists a suitable range of coils made by Epcos. When we designed the PCB we chose the smallest size that still gave a wide selection of maximum currents.

Be careful that you don't use a vertical version of the coil. These appear to be pin-compatible, but they have different

connections. They would cause a severe short-circuit on this PCB! For this reason we haven't included them in the table (they have a K instead of an A in their order code).

This filter is suitable for use up to 3.6 A (a good 800 VA). In practice there should be no need to use different val-



I_R (A)	L_R (mH)	$L_{S,typ.}$ (μ H)	$R_{S,typ.}$ (m Ω)	Ordering code horizontal version
0.4	39	450	2000	B82721-A2401-N20
0.4	27	270	1700	B82721-A2401-N21
0.5	18	260	1500	B82721-A2501-N1
0.7	10	90	600	B82721-A2701-N20
1.2	6.8	70	280	B82721-A2122-N20
1.5	3.3	37	190	B82721-A2152-N1
2.0	1.0	13	90	B82721-A2202-N1
2.6	0.4	6	60	B82721-A2262-N1
3.6	0.4	6	35	B82721-A2362-N1

ues for the capacitors. You should make sure that you obtain the correct lead spacing and that they're X2 types. For the 100 nF capacitors provision is only made for a lead spacing of 15 mm (as these are the most common). For the 10 nF capacitors you can use either 10 or 15 mm types.

A final warning: always take great care when working with mains voltages!

(044039-1)

COMPONENTS LIST

Resistors:
R1,R2 = 470k Ω

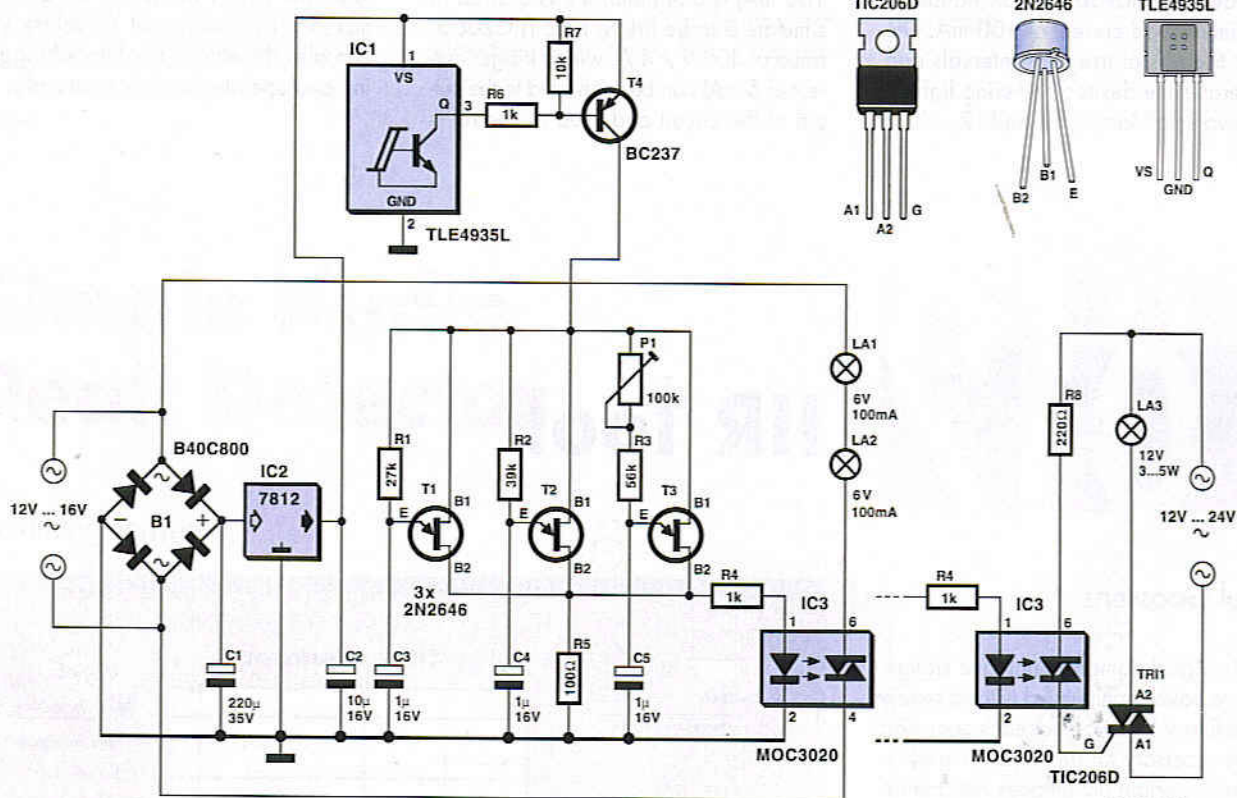
Capacitors:
C1,C2 = 10nF 275 V_{AC} X2, lead pitch 10 or 15mm

C3,C4 = 100 nF/275 V_{AC} X2, lead pitch 15mm

Inductors:
L1 = B82721-A2401-N20, Epcos (Farnell 976-477)

Miscellaneous:
K1 = 3-way PCB terminal block, lead pitch 7.5mm
K2 = 2-way PCB terminal block, lead pitch 7.5mm

Flickering Light II



040059 - 11

Robert Edlinger

In the July/August 2004 issue we published a flickering light for use in models that uses a microcontroller to minimise the component count. Regardless of whether you want to effectively imitate a house fire, a campfire, or light from welding, the circuit described here fills the bill without using a microcontroller, although it does use a larger number of components

(including some truly uncommon ones).

The circuit is based on three oscillators, which are built using unijunction transistors (UJTs). Each oscillator has a different frequency. The output voltages are mixed, which produces the flickering effect. A unijunction transistor consists of an n-type bar of silicon between two ohmic (non-barrier) base contacts (B1 and B2). The effective resistance is controlled by

the p-type emitter region. The designation 'transistor' is a somewhat unfortunate choice, since it cannot be used for linear amplification. UJTs are suitable for use as pulse generators, monostable multivibrators, trigger elements and pulse-width modulators. If a positive voltage is applied to the emitter (E), the capacitor charges via the resistor. As soon as the voltage on the emitter reaches approximately half the supply voltage (for a

2N2645, the value lies in the range of 56–75 %), the UJT 'fires' and the capacitor discharges via base B1 and the resistor, generating a positive pulse. The UJT then returns to the non-conduct state, and the process just described repeats periodically. The frequency can be approximately given by the formula

$$f \approx 1/(RC)$$

The frequency is independent of the value of the supply voltage (which must not exceed 35 V). The maximum emitter blocking voltage is 30 V, and the maximum permissible emitter current is 50 mA. The values of resistors R1, R2 and R3 can lie between 3 kΩ and 500 kΩ. If necessary, the frequency can be varied over a range of 100:1 by using a trimpot instead of a fixed resistor.

The frequencies from the three pulse generators are mixed by connecting them to the IR diode of a triac optocoupler via R4. The optocoupler, a type MOC3020, K3030P or MCP3020, can handle a maximum load current of 100 mA. The triac triggers at irregular intervals and generates the desired flickering light in the two small lamps, L1 and L2, which

are connected in series to the transformer secondary.

The light effect can be noticeably improved by using a MOC3040, which contains a zero-voltage switch, since it generates irregular pauses of various lengths when suitable frequencies occur in the individual oscillators. The zero-voltage switch does not switch while the current is flowing, but only when the applied ac voltage passes through zero. An integrated drive circuit (zero crossing unit) allows full half-waves or full cycles to pass (pulse-burst control). Due to the flickering effect arising from its switching behaviour, it is not suitable for normal lighting, but here this is just what we want. This version of the optocoupler is also designed for a maximum current of 100 mA.

For a small roof fire or the light of a welding torch in a workshop, two small incandescent lamps connected in series and rated at 6 V / 0.6 A (bicycle taillight bulbs) or a single 12-V lamp (rated at 100 mA) is adequate. If it is desired to simulate a large fire, a triac (TIC206D, rated at 400 V / 4 A, with a trigger current of 5 mA) can be connected to the output of the circuit and used to control a

more powerful incandescent lamp.

As continuous flickering loses its attraction for an interested observer after a while (since no house burns for ever, and welders also take breaks), it's a good idea to vary the on and off times of the circuit. This is handled by a bipolar Hall switch (TLE4935L), which has such a small package that it can be fitted between the sleepers of all model railway gauges, including Miniclub (Z Gauge), or even placed alongside the track if a strong permanent magnet is used. If a magnet is fixed somewhere on the base of a locomotive such that the south pole points toward the package of the Hall switch (the flattened front face with the type marking), the integrated npn transistor will switch on and pull the base of the external pnp transistor negative, causing the collector-emitter junction to conduct and provide the necessary 'juice' for the unijunction transistors. If another traction unit whose magnet has its north pole pointing toward the Hall switch passes a while later, the switch will be cut off and the flickering light will go out. Of course, you can also do without this form of triggering and operate the device manually.

(040059-1)



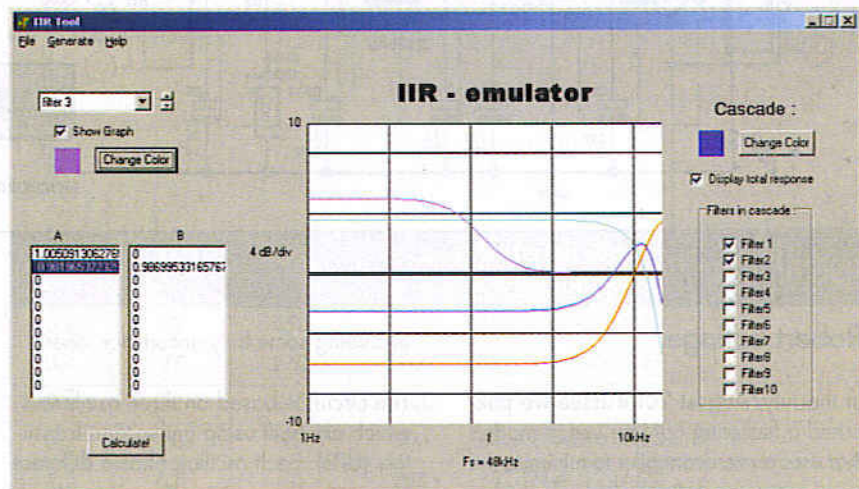
IIR Tool

Paul Goossens

In the digital domain, analogue signals can be easily manipulated without requiring different hardware for each operation (as is necessary for analogue circuits). Other important advantages are that no noise is added during the operation (provided it is programmed correctly) and that mathematical algorithms are easier to implement.

Unfortunately, the design of a digital filter is not that straightforward. There are several methods for implementing a digital filter. A relatively efficient filter implementation is the IIR (Infinite Impulse Response) type. The filter is mathematically represented as:

$$x[n] = a_0 \cdot y[n] + a_1 \cdot y[n-1] \dots - b_1 \cdot x[n-1] - b_2 \cdot x[n-2] \dots$$



Where $x[n]$ is the output signal and $y[n]$ is the input signal.

The values of the coefficients a_x and b_x determine the transfer function and there-

fore the characteristics of the filter. Calculating the coefficients for a particular filter is often a stumbling block for designers. To make this task much easier, we

have written a program that not only calculates the coefficients for simple filters, but can also determine the frequency characteristic of IIR filters where the user calculated the coefficients themselves.

This software is available from the Free Downloads section at www.elektor-electronics.co.uk under number **044050-1** (select month of publication). It does not need to be installed — double clicking the filename *IIRTool.exe* is sufficient to launch the program. This program can simulate up to 10 different IIR filters. As an additional bonus, it is possible to cascade multiple filters in order to examine the total frequency characteristic.

Initially, after starting the program, all filters are set as all-pass and without delay. At the top left you can see that filter1 is selected. The coefficients that are shown on the screen belong to this filter. To enter your own coefficients for this filter you only need to click the desired coefficient after which you can type in the new value. For example, try changing a_1 (the second value at the top of the column near a) from 0 to 0.5. Immediately after this change you will note that the graph

of the frequency characteristic has changed.

At top left you can select another filter. Choose filter2. In the windows below it, the coefficients belonging to filter2 appear. This time change a_1 to -0.5 . There now appears a second frequency characteristic. This looks like the reverse of filter1. The colour of each filter curve can be changed by clicking the button *change color*. This makes it easier to distinguish the separate graphs.

In order to know what the total frequency characteristic will look like when a signal propagates through both these filters we can select filters 1 and 2 under the button *cascade*. Another curve will appear in the output window, which is the result of the two filters cascaded. The program is not only able to simulate filters but can also generate 3 different types of simple filters. These generators can be found under the menu *generate*. Here you can choose from bass-, mid- or treble-filters. With the bass and treble filter you can choose the cutoff frequency and the desired gain or attenuation. The bass filter provides gain or attenuation of frequen-

cies lower than the cutoff point. The treble filter does the same for frequencies higher than the cutoff point.

A practical example: first select filter number 3, then choose *generate* followed by *bass*. In the window that appears, give the parameter *frequency* a value of 100 and *gain* a value of 5. *Gain* is the location where we enter the gain or attenuation (in dB). Now click the button *OK*. The program will now quickly calculate the required coefficients. As a consequence the coefficients of filter 4 are changed and the result is shown in the graph. Generating a treble filter follows exactly the same method.

Finally, the program can also design a mid filter. This filter provides gain/attenuation of signals around a specific frequency. When entering the parameters you will find, besides *frequency* and *gain*, a third parameter, namely *Q*. This represents the quality factor of the filter. The higher the *Q* factor the narrower will be the frequency range of the filter. A *Q* factor between 0.6 and 2 is typical for audio applications.

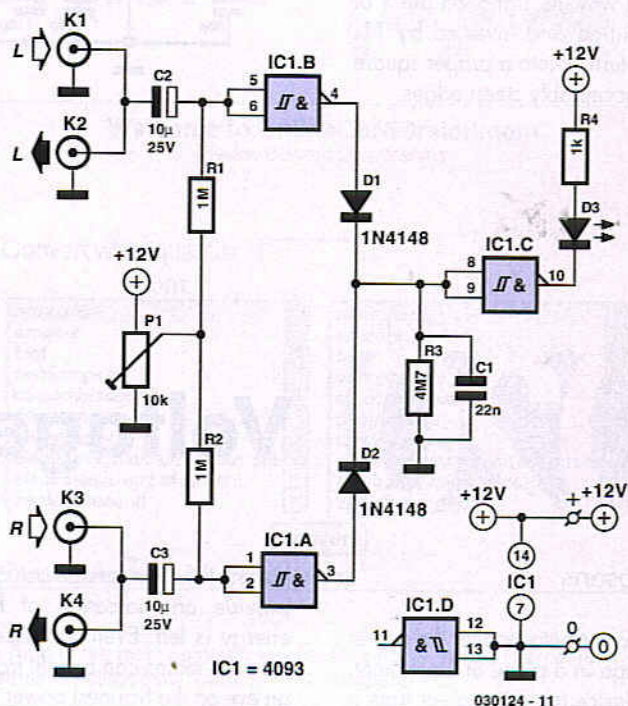
(044050-1)

Simple Audio Peak Detector

Flemming Jensen

This audio peak detector allows a pair of stereo channels to be monitored on a single LED.

Identical circuitry is used in the left and right channels. Use is made of the switching levels of Schmitt trigger NAND gates inside the familiar 4093 IC. The threshold level for gate IC1.A (IC1.B) is set with the aid of preset P1, which supplies a high-impedance bias level via R2 (R1). When, owing to the instantaneous level of the audio signal superimposed on the bias voltage by C3 (C2), the dc level at pins 1 and 2 (5 and 6) of the Schmitt trigger gate drops below a certain level, the output of IC1.A (IC1.B) will go High. This level is copied to the input of IC1.C via D2 (D1) and due to the inverting action of IC1.C, LED D3 will light. Network R3-C1 provides some delay to enable very short audio peaks to be reliably indicated.



Initially turn the wiper of P1 to the +12 V extreme — LED D3 should remain out. Then apply 'line' level audio to K1 and K3, preferably music with lots of peaks

(for example, drum 'n bass). Carefully adjust P1 until the peaks in the music are indicated by D3. The circuit has double RCA connectors for

the left and right channels to obviate the use of those rare and expensive audio splitter ('Y') cables.

(030124-1)

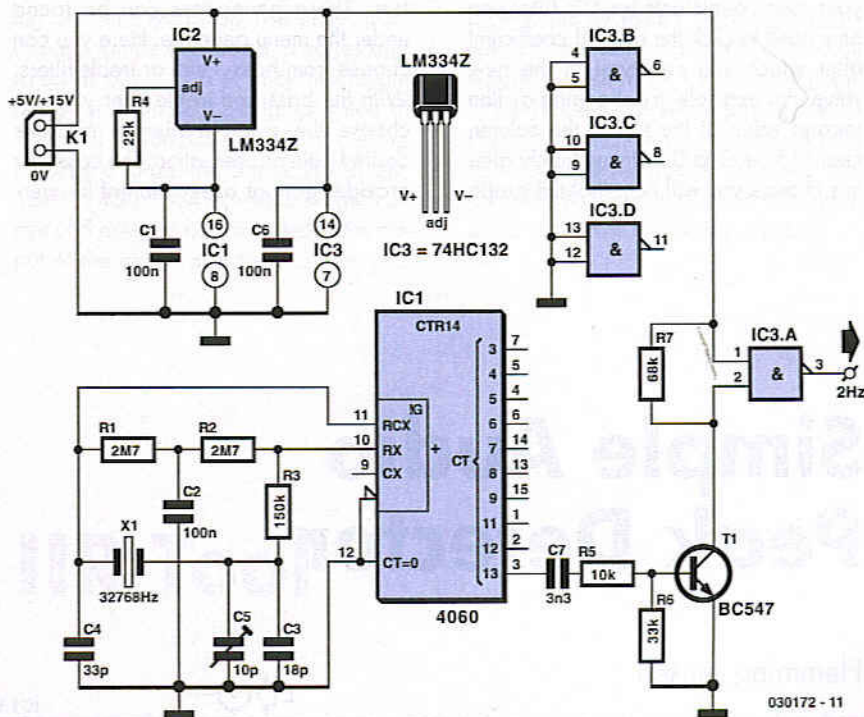
019

Thrifty 2-Hz Clock

P.C. Hogenkamp

CMOS circuits are known for their low current consumption. This is particularly important for battery-powered circuits. Unfortunately, oscillators often require quite a bit of current. We therefore propose this oscillator circuit that has a very low current consumption (about 3 μ A). The circuit is powered from a type LM334Z current source. The current has been set with R4 to about 3 μ A. This is sufficient to power IC1 and the oscillator circuit around X1. The oscillator generates, with the aid of a cheap watch crystal and a few surrounding parts, a signal that is subsequently applied to the divider in the 4060 and results in a frequency of 2 Hz at pin 3 (output Q13). The level of the output pulses is a lot lower than the nominal 5-V power supply voltage (IC1 is after all powered from a current source with very low current). That is why the signal on pin 3 of IC1 is amplified and inverted by T1. IC3a finally turns it into a proper square wave with acceptably steep edges.

(030172-1)



030172 - 11

020

Voltage Monitor

Paul Goosens

It is often necessary to monitor the power supply voltage in a piece of equipment. When the device takes its power from a

battery, the input voltage can change and provide an indication of how much energy is left. Even a device powered from the mains can benefit from keeping an eye on the (various) power supply volt-

ages in the circuit and take the necessary steps in the event of a fault condition. If a slightly intelligent reaction is required for this situation, it is obvious to do this with a microcontroller. This requires the

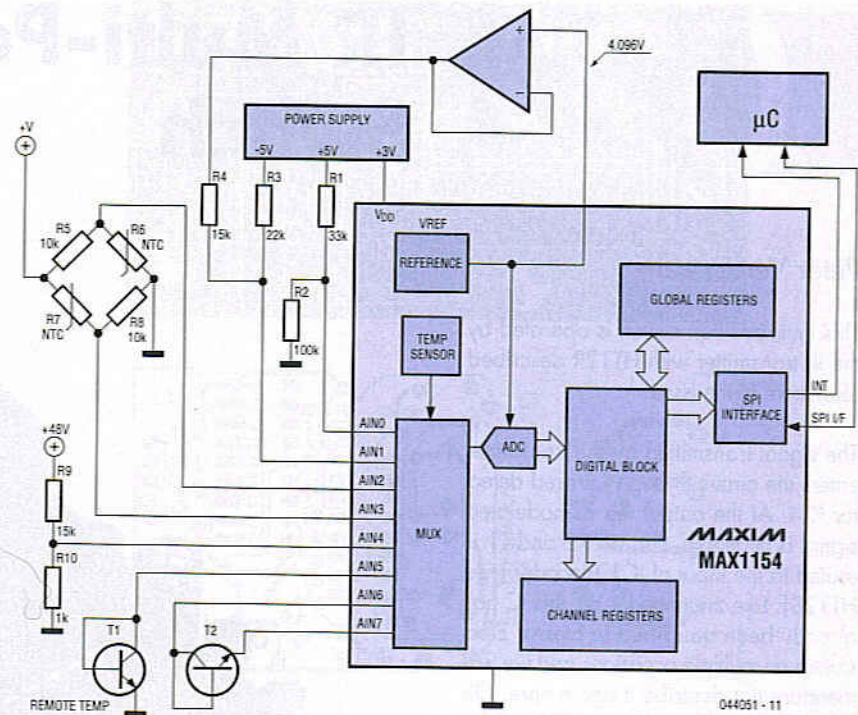
microcontroller to periodically measure the voltages with one or more A/D converters and decide whether the values are correct or whether something is the matter.

This naturally costs processor time and makes the firmware a little more complicated. This can become a problem, particularly when other functions have to be carried out on a regular basis as well.

Fortunately, chip manufacturer Maxim has a number of ICs in its line-up specifically for this purpose. These ICs all have as task to monitor a number of voltages and when these do not conform to certain requirements the IC generates an interrupt, which indicates to the microcontroller that something has gone wrong.

The MAX1153 and MAX1154 are provided with a 10-bit ADC, while the MAX1253 and MAX1254 are provided with a 12-bit ADC. All these ICs are capable of monitoring 8 external voltages and 2 internal voltages. These 8 external voltages can also be programmed for temperature sensors, where an external diode can be used as a simple and cheap sensor.

For each channel, a maximum and minimum voltage or temperature can be specified. As soon as the input voltage or temperature falls outside this range the interrupt output goes low. If desired, a glitch



suppressor can be individually configured for each channel. A recursive averaging filter is also available and it is even possible to specify how many successive samples have to be outside the range before the interrupt is generated. The sample-rate of the ADC is also adjustable, to a maxi-

imum of 90 ksamples/s.

The SPI bus serves as interface to the controller and requires only four signals to communicate. For more information you can visit the Maxim website:

www.maxim-ic.com

(044051-1)

On-line Conversions

Luc Lemmens

From time to time you may come across a unit of measure that's completely unfamiliar. It also happens that the name sounds vaguely familiar, but you just can't remember the fine points. Although the Internet probably contains numerous sites that can help out, the most comprehensive one is probably

www.onlineconversion.com.

Here you can convert physics quantities such as, for example, lengths, velocity and forces. There are also conversion tools for currencies, clothing sizes and terminology used in cookbooks. Although the title of this article may imply otherwise, some parts can be downloaded and used off-line.

(044052-1)

Welcome to OnlineConversion.com
Electric Current Conversions

Convert what quantity? _____

From: To:

abampere ampere biot centiampere coulomb/second deciampere dekaampere electromagnetic unit of current electrostatic unit of current franklin/second	abampere ampere biot centiampere coulomb/second deciampere dekaampere electromagnetic unit of current electrostatic unit of current franklin/second
--	--

Convert

Result (rounded to 7 decimal places): _____

Info: Amp is the most common symbol for ampere. Amps is ampere, milliamps is milliampere, kiloamps is kiloampere, etc.



IR Multi-Position Switch

Peter Verhoosel

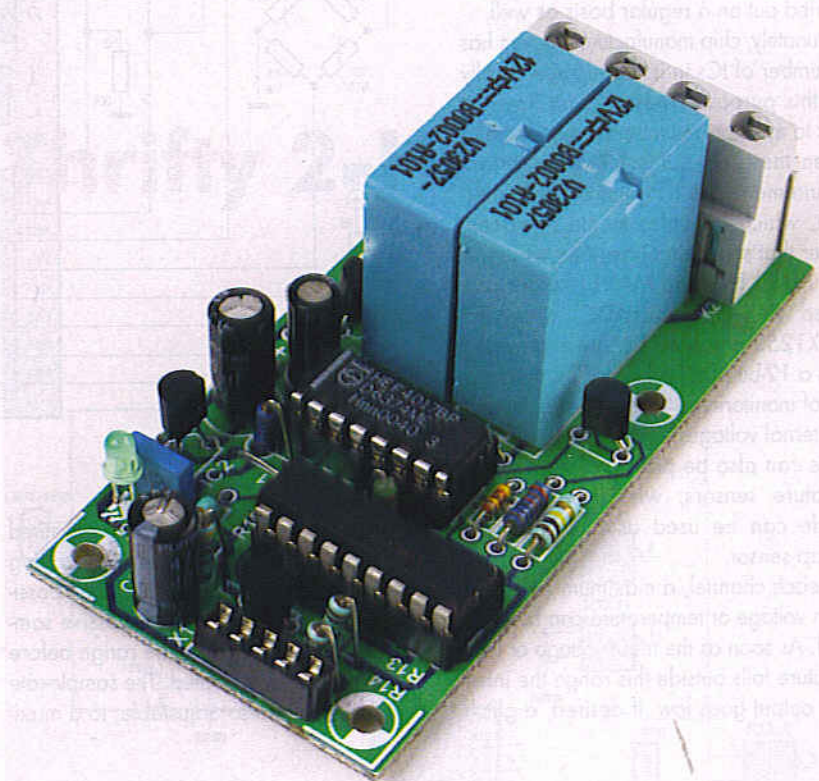
This multi-position switch is operated by the IR transmitter with HT12R described elsewhere in the issue.

The signal transmitted by the transmitter enters the circuit through infrared detector IC4. At the output the demodulated signal is available, that via R2 and T1 is routed to the input of IC1 (decoder type HT12D). Like the encoder IC, this IC has already been described in *Elektor Electronics* on multiple occasions and we will therefore not describe it again here. On the PCB the address lines of IC1 are by default connected with a thin trace to ground. The default address is therefore zero. By cutting the trace with a sharp knife the corresponding address input can be made logic high.

This change of address is only necessary if multiple transmitters are active in the same house.

When the programmed address code corresponds with the address code of the IR transmitter, pin 17 of IC1 will be high for as long as the transmitted signal is available. LED D4 will light up.

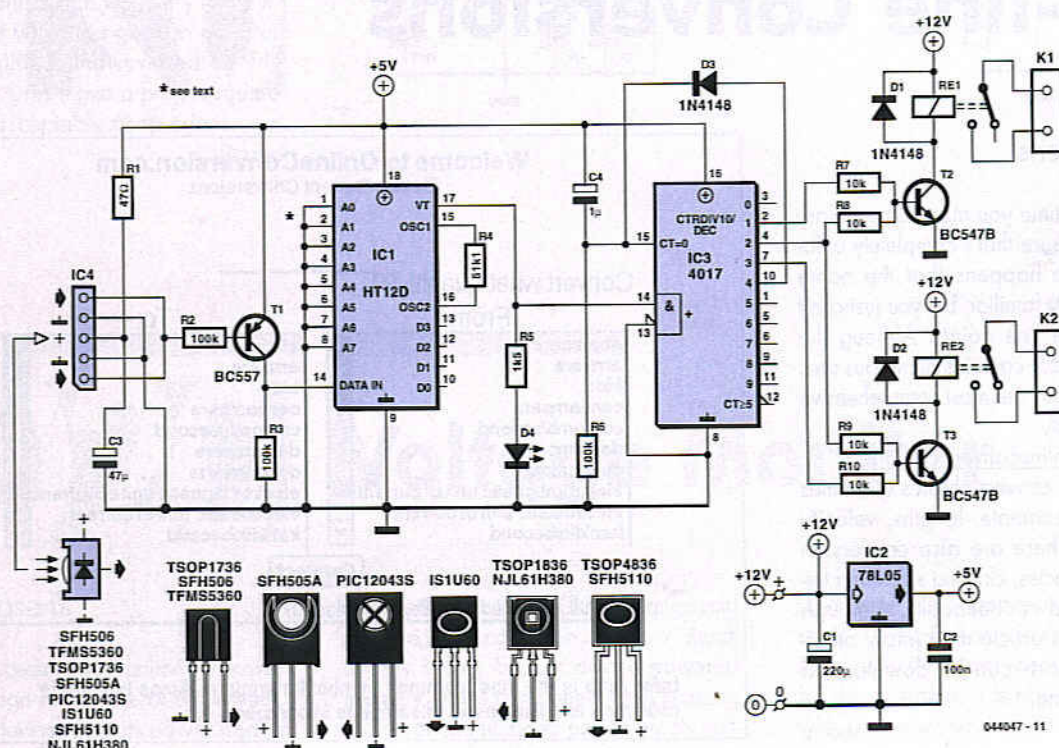
This pulse is presented to the clock input of IC3, a decade counter. After each pulse the decade counter will make the



next output high and the previous output will go low again.

When the power supply is switched on, C4 and R6 ensure that the IC is reset; the

first output is high and all the others are low. This is the reason that relays are connected only from the second output onwards.



COMPONENTS LIST

Resistors:

R1 = 47 Ω
 R2, R3, R6 = 100k Ω
 R4 = 51k Ω
 R5 = 1k Ω
 R7-10 = 10k Ω

Capacitors:

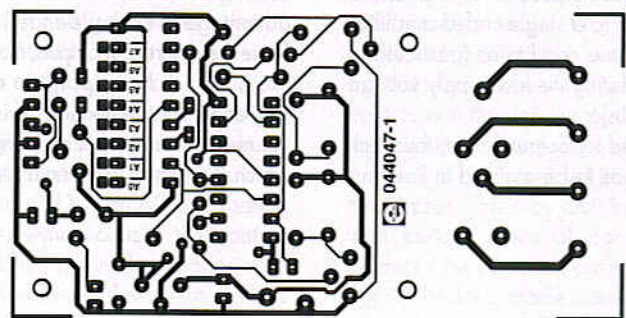
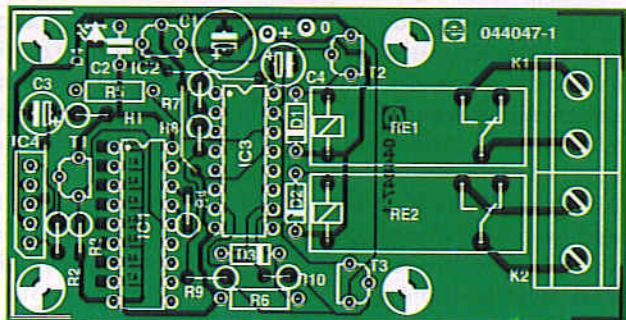
C1 = 220 μ F 16V radial
 C2 = 100nF
 C3 = 47 μ F 10V radial
 C4 = 1 μ F 10V radial

Semiconductors:

D1, D2, D3 = 1N4148
 D4 = LED, red, high-efficiency
 T1 = BC557
 T2, T2 = BC547B
 IC1 = HT12D (Holtek)
 IC2 = 78L05
 IC3 = 4017
 IC4 = SFH506-40 or equivalent

Miscellaneous:

Re1, Re2 = 12-V relay, e.g., Siemens V23057-B0002-A101
 K1, K2 = 2-way PCB terminal block, lead pitch 7.5mm
 PCB, available from The PCBShop



After the first pulse is transmitted, Re1 will be switched on via R7 and T1. The next pulse causes both Re1 and Re2 to be switched on. After the next pulse only Re2 will be on.

The reset-input of the decade counter is connected via D3 to output Q4. This causes the switch to return to the rest position after the next pulse.

(D44047-1)

LM4906 Boomer[®] Audio Power Amp

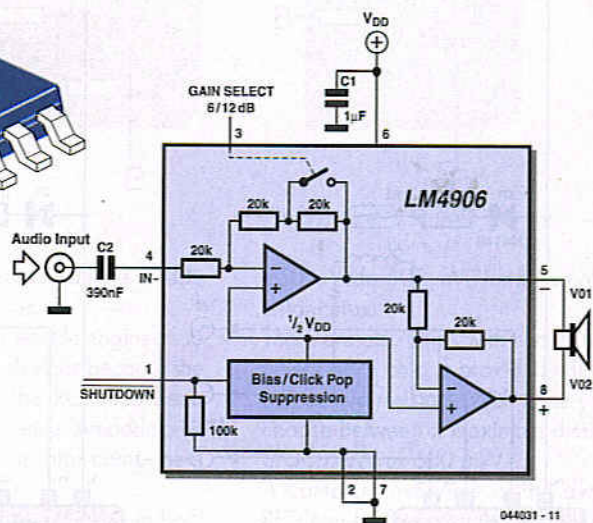
023

Source:
 National Semiconductor

The well-known LM386 is an excellent choice for many designs requiring a small audio power amplifier (1-watt) in a single chip. However, the LM386 requires quite a few external parts including some electrolytic capacitors, which unfortunately add volume and cost to the circuit.

National Semiconductor recently introduced its Boomer[®] audio integrated circuits which were designed specifically to provide high quality audio while requiring a minimum amount of external components (in surface mount packaging only).

The LM4906 is capable of delivering 1 watt of continuous average power to an 8-ohm load with less than 1% distortion (THD+N) from a +5 V power supply. The chip happily works with an external PSRR



(Power Supply Rejection Ratio) bypass capacitor of just 1 μ F minimum. In addition, no output coupling capacitors or bootstrap capacitors are required which

makes the LM4906 ideally suited for cell phone and other low voltage portable applications. The LM4906 features a low-power con-

sumption shutdown mode (the part is enabled by pulling the SD pin high). Additionally, an internal thermal shutdown protection mechanism is provided. The LM4906 also has an internal selectable gain of either 6 dB or 12 dB.

A bridge amplifier design has a few distinct advantages over the single-ended configuration, as it provides differential drive to the load, thus doubling output swing for a specified supply voltage. Four times the output power is possible as compared to a single-ended amplifier under the same conditions (particularly when considering the low supply voltage of 5 to 6 volts).

When pushed for output power, the small SMD case has to be assisted in keeping

a cool head. By adding copper foil, the thermal resistance of the application can be reduced from the free air value, resulting in higher PDMAX values without thermal shutdown protection circuitry being activated. Additional copper foil can be added to any of the leads connected to the LM4906. It is especially effective when connected to VDD, GND, and the output pins.

A bridge configuration, such as the one used in LM4906, also creates a second advantage over single-ended amplifiers. Since the differential outputs, Vo1 and Vo2, are biased at half-supply, no net DC voltage exists across the load. This eliminates the need for an output coupling capacitor which is required in a single supply, single-

ended amplifier configuration.

Large input capacitors are both expensive and space hungry for portable designs. Clearly, a certain sized capacitor is needed to couple in low frequencies without severe attenuation. But in many cases the speakers used in portable systems, whether internal or external, have little ability to reproduce signals below 100 Hz to 150 Hz. Thus, using a large input capacitor may not increase actual system performance. Also, by minimizing the capacitor size based on necessary low frequency response, turn-on pops can be minimized.

Further information from:
www.national.com.

(044031-1)

024

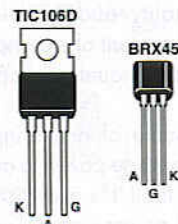
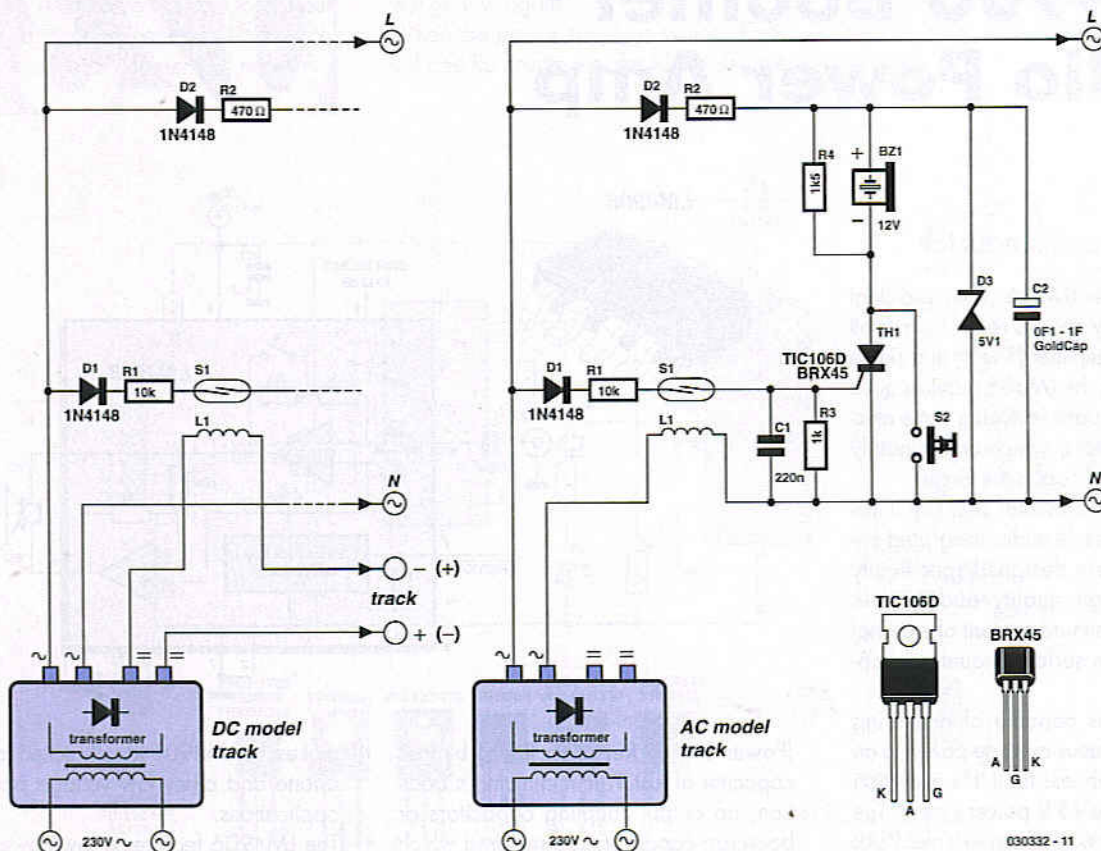
Model Railway Short-Circuit Beeper

R. Edlinger

Short circuits in the tracks, points or wiring are almost inevitable when build-

ing or operating a model railway. Although transformers for model systems must be protected against short circuits by built-in bimetallic switches, the response

time of such switches is so long that is not possible to immediately localise a short that occurs while the trains are running, for example. Furthermore, bimetallic pro-



030332-11

tection switches do not always work properly when the voltage applied to the track circuit is relatively low.

The rapid-acting acoustic short-circuit detector described here eliminates these problems. However, it requires its own power source, which is implemented here in the form of a GoldCap storage capacitor with a capacity of 0.1 to 1 F.

A commonly available reed switch (filled with an inert gas) is used for the current sensor, but in this case it is actuated by a solenoid instead of a permanent magnet. An adequate coil is provided by several turns of 0.8–1 mm enamelled copper wire wound around a drill bit or yarn spool and then slipped over the glass tube of the reed switch. This technique generates only a negligible voltage drop. The actuation sensitivity of the switch (expressed in ampère-turns or A-t) determines the number of turns required for the coil. For instance, if you select a type rated at 20–40 A-t and assume a maximum allowable operating current of 6 A,

seven turns ($40 \div 6 = 6.67$) will be sufficient. As a rule, the optimum number of windings must be determined empirically, due to a lack of specification data.

As you can see from the circuit diagram, the short-circuit detector is equally suitable for AC and DC railways. With Märklin transformers (HO and I), the track and lighting circuits can be sensed together, since both circuits are powered from a single secondary winding.

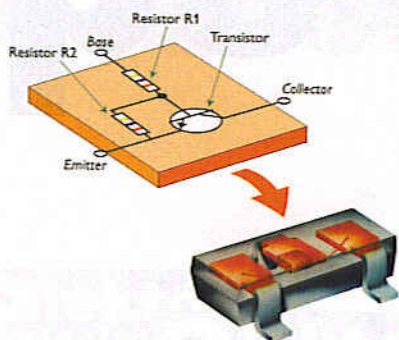
Coil L1 is located in the common ground lead ('O' terminal), so the piezoelectric buzzer will sound if a short circuit is present in either of the two circuits. The (positive) trigger voltage is taken from the lighting circuit (L) via D1 and series resistor R1. Even though the current flowing through winding L1 is an AC or pulsating DC current, which causes the contact reeds to vibrate in synchronisation with the mains frequency, the buzzer will be activated because a brief positive pulse is all that is required to trigger thyristor Th1. The thyristor takes its anode voltage

from the GoldCap storage capacitor (C2), which is charged via C2 and R2. The alarm can be manually switched off using switch S1, since although the thyristor will return to the blocking state after C2 has been discharged if a short circuit is present the lighting circuit, this will not happen if there is a short circuit in the track circuit. C1 eliminates any noise pulses that may be generated.

As a continuous tone does not attract as much attention as an intermittent beep, an intermittent piezoelectric generator is preferable. As almost no current flows during the intervals between beeps and the hold current through the thyristor must be kept above 3 mA, a resistor with a value of 1.5–1.8 k Ω is connected in parallel with the buzzer. This may also be necessary with certain types of continuous-tone buzzers if the operating current is less than 3 mA. The Zener diode must limit the operating voltage to 5.1 V, since the rated voltage of the GoldCap capacitor is 5.5 V.

(030332-1)

Resistor-Equipped Transistors (RETs)



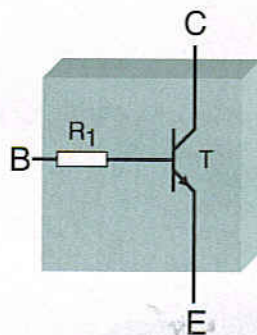
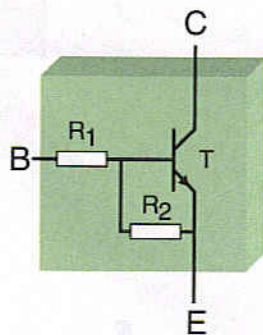
Paul Goossens

Developments in the electronics area (or is it an arena?) are never at a standstill. Whenever there is something substantially new to report it is almost always related to complex chips. However, Philips proves that new developments are possible even with what you thought were dead-standard components. For example, take the new range of transistors with the name 'RET' – meaning *Resistor Equipped Transistor*. The novelty with this new range of transistors is that they have a base resistor

included. Some versions also have a resistor from base to emitter.

These new transistors enable engineers to design even smaller devices because the space required on the PCB has been reduced as a consequence. An additional advantage is that the total component count is reduced.

The new transistors are available in both PNP and NPN versions. For the package, the designer can choose from a number of SMD packages as well as the familiar TO-92. The maximum power dissipation depends on the package and varies from



044044 - 11

150 mW to 500 mW for the single transistor chips.

There are also chips with two transistors, where each chip is provided with either one or two resistors. With these you can choose between a maximum dissipation of 300 mW or 600 mW.

A complete overview of the available RETs can be found on the Internet at: <http://www.semiconductors.com/acrobat/literature/9397/75012514.pdf>.

(044044-1)

source: Philips



Qua and squ

*Read elektor
electronics.
leading the way*

Quality passion are!



Take out an 18-month subscription to **elektor electronics** and receive a free MP3 player with 128 MB Memory*.

Please fill out the Order Form with this issue.

Subscription rates and conditions may be found at the back of this issue.

* Offer available to Subscribers who have not held a Subscription to Elektor Electronics in the last 12 Months. Offer Subject to Availability.

Low-Drop Constant Current Source

for Ultrabright LEDs

Olaf König

Ultrabright LEDs are becoming increasingly attractive for use in lighting and warning-signal applications. LEDs must be operated at a constant current to ensure that they continue to emit light at the same brightness. The usual approach is to use a series resistor, but in order to prevent the non-linear voltage/current characteristic, the NTC property of the LED and variations in the supply voltage from affecting brightness, we'd like to have something better.

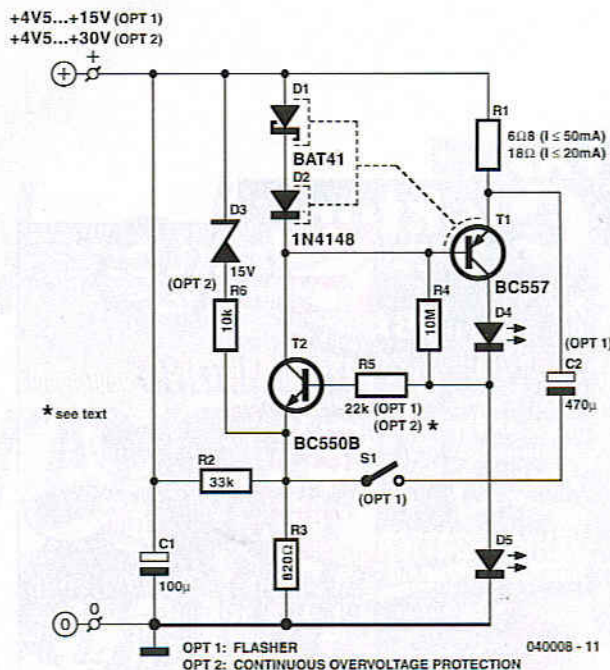
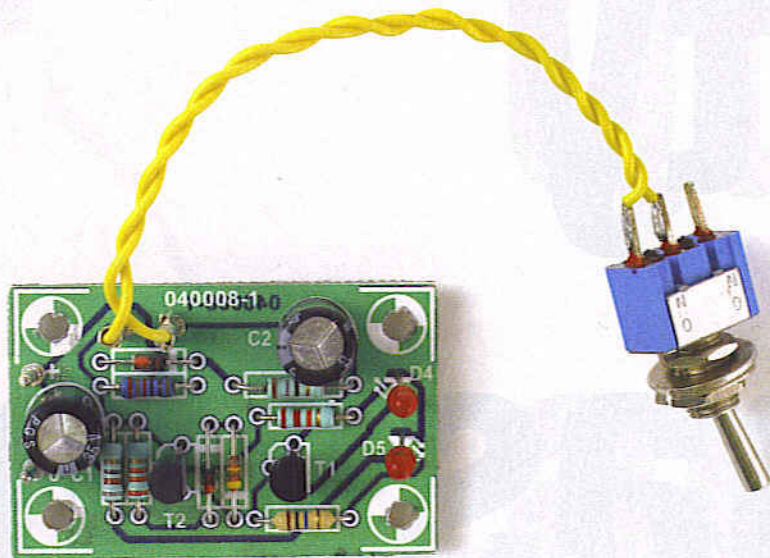
The circuit described here is a low-drop constant current source for ultrabright LEDs with blinking capability, for use in headlights, taillights, dog blinkers, light chains, car alarms and the like. It provides a constant current of 20 mA with a supply voltage of 4.5–30 V, or 50 mA with a 4.5–12 V supply. The voltage drop of the circuit is only 0.6 V, so practically the entire supply voltage can be used for the LEDs.

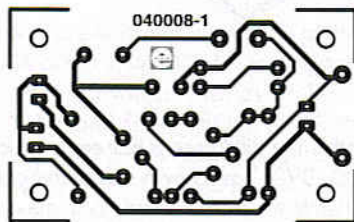
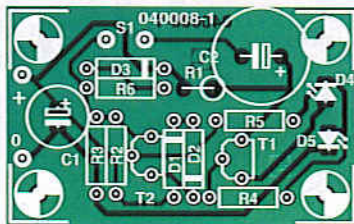
When the supply voltage is switched on, D5 generates a start-up voltage if the circuit is exposed to light (an LED can generate a photoelectric current). To enable the constant-current source to also reliably start up in the dark, R4 provides an initial base current to T1 and T2. In any case, both transistors initially only pass a small amount of current. But since each transistor provides the base current for the other one, the current rises to its setpoint value. The setpoint is stably maintained as follows. The voltage across D5, less the base-emitter voltage of T2, is also present across R3 (R5 has no effect at the beginning). A stabilised current thus flows through R3. Most of the constant current flowing through T2 comes from D1 and D2, with only a secondary contribution from the base current of T1. The voltage across D1 and D2 is also stable, due to the stabilised current. This voltage, less the base-emitter voltage of T1, is present across R1, where it causes a constant current to flow through T1 and D5 (and D4 if present). This closes the loop. The circuit thus consists of two constant-current sources

that stabilise each other. That's the basic principle.

R2 increases the voltage across R3. This causes the current to be reduced proportional to the supply voltage, which further stabilises the current. R2 is thus configured such that the current actually decreases slightly as the battery voltage increases. This causes T1 to be driven into full saturation at low voltages. D2 is intended to compensate for the

base-emitter voltage of T1, while Schottky diode D1 provides the 'miserly' voltage drop across R1. D1 and D2 are thermally coupled to T1. As a result, with increasing temperature the current is more likely to decrease than increase. LED D4 is included in the circuit to prevent T2 from having to go into saturation at low operating voltages. That wrings out an extra 0.2 V or so. In this way, the battery is mercilessly sucked dry when is





becomes weak. It's totally defenceless. However, rechargeable batteries should never be deep-discharged!

Overvoltage protection should be included if the circuit is intended to be used for general experimentation or with LED chains. In case of overvoltage, D3 starts conducting and takes current away from T2 (which is essentially what R2 does as well). To prevent overheating of T1, particularly with a current of 50 mA, the current is sharply reduced for voltages greater than approximately 15 V. The upper voltage limit is then practically determined solely by the maximum collector voltage (U_{CE}) ratings of the two transistors.

An LED chain can best be inserted in series with the supply voltage, in order to avoid making any changes to the circuit. Naturally, at least D5 must still remain in the circuit.

R5 and C2 form part of the blinking circuit. R5 and C1 smooth out large current spikes and RF oscillations during blinking operation. Low-impedance feedback is provided by C2. The resulting pulses are long enough to be clearly visible and short enough to use as little energy as

COMPONENTS LIST

Resistors:

- R1 = 6Ω or 18Ω (see text)
- R2 = 33kΩ
- R3 = 820Ω
- R4 = 10MΩ
- R5 = 22kΩ or 0 Ω (see text)
- R6 = 10kΩ

Capacitors:

- C1 = 100μF 40V radial

C2 = 470μF 40V radial

Semiconductors:

- D1, D2 = BAT41 or similar Schottky diode with $I_F > 80\text{mA}$
- D3 = zener diode 15V, 0.5W
- D4, D5 = LED (see text)
- T1 = BC557B
- T2 = BC550B

Miscellaneous:

- S1 = switch (see text)
- PCB, order code 040008-1 from the PCBshop

possible. The duty cycle is only 10 %. However, at base voltages less than 5 V (with two LEDs fitted) it increases to 50 %, with an accompanying decrease in current. Below 4.6 V, shortly before the circuit 'runs dry', the pulse heads toward to zero. The 10-% pulses achieve the rated pulse current level of 100 mA for 50-mA LEDs, and they have such steep edges that two blinkers connected to a single power source blink in unison if they are not decoupled by at least 1 Ω. The voltage fluctuations on C2 are so small (approximately 0.6 V) that hardly any energy is lost.

We have designed a small printed circuit board for the constant-current source, which could hardly be easier to build and does not require any comments. Diodes D1 and D2 are placed immediately next to T1 and thus adequately thermally coupled. For a maximum constant current of 50 mA, the value of R1 should be 6.8 Ω, while for 20 mA a value of 18 Ω should be used. Naturally, the value of R1 can be increased even more to reduce the value of the constant current any the desired level.

If T1 does not have the anticipated cur-

rent gain of 140, R3 should be reduced to 680 Ω. The current flowing through diodes D1 and D2 should be at least three times the base current of T1. Naturally, the base current flowing through T2 is not multiplied. The value of I_{R3} is thus $4 \times I_{BT1}$ (since I_{BT2} can be neglected). As D5 determines the voltage across R3, we thus have the formula:

$$R3 \leq \beta T1 \times [(U_{b4} - 0.65 \text{ V}) / (4 I_{const})]$$

The maximum permissible value of U_{R1} is 340 mV. From the author's experience, when setting the level of the constant current it helps to try several diodes for D2 with different tolerance values. In stubborn cases of excessively high current levels (or if you want to be on the safe side but don't want to or can't measure, adjust or whatever), you can simply connect two 1N4148s in parallel. This will cause the operating point to lie somewhat lower on the characteristic curve.

Another important tip for avoiding eye injury (retina damage): never look directly at an ultrabright LED, especially in the dark!

(040008-1)

SATA

Karel Walraven

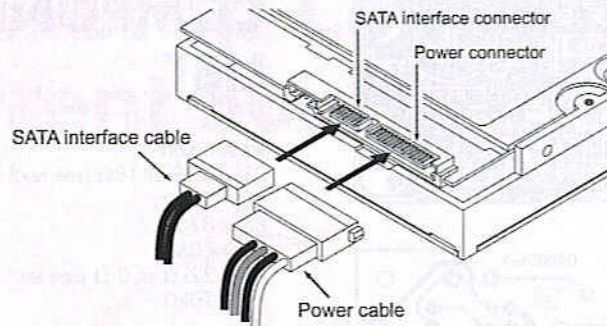
There is a new standard these days for connecting hard disks and DVD drives:

SATA. You may already have noticed that new PCs don't contain the wide 40- or 80-pin ribbon cables any more, but the hard disk is connected with a slender 7-

way cable. Even the corresponding power supply connector is different with a SATA drive and now has 15 connections instead of 4. This is clearly illustrated

in the drawing: The *large* connector provides power and the *small* connector is the data connection. The power supply connector provides 12, 5 and 3.3 V and two ground connections.

SATA means Serial ATA. ATA is the connection standard that at present has been the most common for hard disks, CD and DVD drives. At the time of writing the ATA100 bus with a data transfer speed of 100 Mbyte/s is the most widespread. A number of manufacturers use the slightly faster ATA133 bus. That is pretty much the end of the line; it has not been possible for the industry to increase the speed even further using simple means. In order to increase the speed of the interface between motherboard and HDD, a serial connection was selected. At first glance this appears to be an perplexing choice! The parallel ATA bus operates with 16 bits simultaneously; the serial bus therefore has to be at least 16 times faster to obtain the same equivalent speed. That is why SATA operates at a clock speed of 1500 MHz and reaches a data transfer speed of 150 MByte/s; versions with 3 GHz and



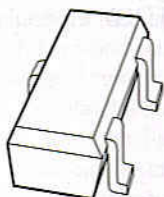
6 GHz clock speed are planned. The industry made this choice because, in the end, it is cheaper to have a solution with one data channel at very high speed than trying to increase the speed of all 33 signals in the ATA connection. The data connection has a balanced outgoing and a balanced return connection, plus three ground connections. The signal amplitude is not 5 volts any more, but only 0.25 volts. The symmetrical connection and the small signal amplitude together result in a fast, low interference and energy efficient connection. In addition, the cable is allowed to be much longer: 1 m instead of 45 cm with ATA.

Another big difference is that each device (HDD, DVD) has its own cable and connection to the motherboard. With the current ATA standard two devices can share the same cable. As a consequence various jumpers (master, slave) disappear and the interface can (in principle) always operate at maximum speed. Additionally, the contacts in the connectors are of different length, so that hot-plugging (connecting or disconnection without switching the power off) becomes possible. The expectation is that this interface will satisfy the requirements for the next ten years.

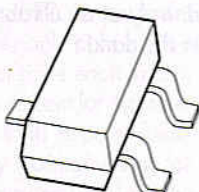
(044053-1)

028

Modern SMD Packages



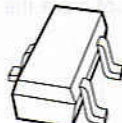
SOT346 (SC-59)
(5.27 mm²)



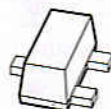
SOT23
(4.2 mm²)



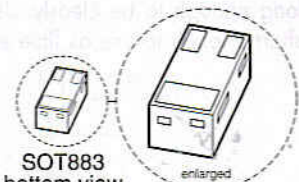
SOT323 (SC-70)
(2.97 mm²)



SOT416 (SC-75)
(1.62 mm²)



SOT490 (SC-89)
(1.615 mm²)



SOT883
bottom view
(0.632 mm²)

Paul Goossens

Parts in SMD packages are becoming more and more frequent in DIY circuits. Sometimes they are used because of better performance, usually as a consequence of the shorter PCB traces between the various parts. The result of this is a lower self-inductance so the circuit exhibits better RF behaviour. Another reason components in an SMD

package are selected is simply because the equivalent parts in a 'through-hole' package are no longer being manufactured. All those different packages have naturally resulted in several new standards for packages. Here we show a number of common SMD packages with three terminals.

In particular, note the difference in dimensions for the various packages. Arguably a SOT346 package is a lot easier to sol-

der than a SOT490 package. It is obvious then, that a SOT883 package is going to be the most difficult to solder. Not only is the package extremely small, but in addition, the terminals are underneath. This means that it cannot be soldered with a soldering iron. To solder these, you would have to resort to using a hot plate, an iron or even better: an SMD oven.

(044045-1)

Stable Filament Supply

Dr Alexander Voigt

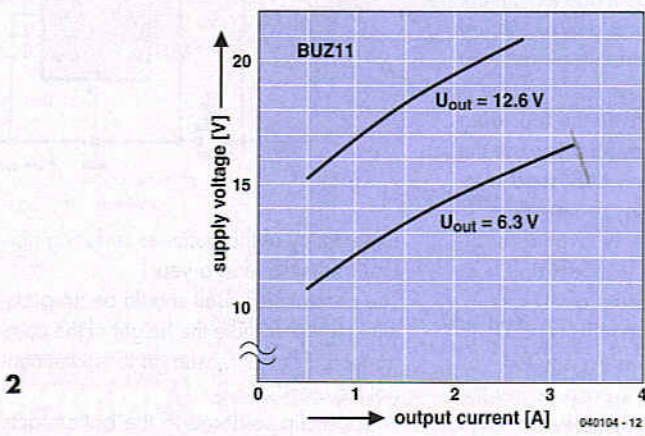
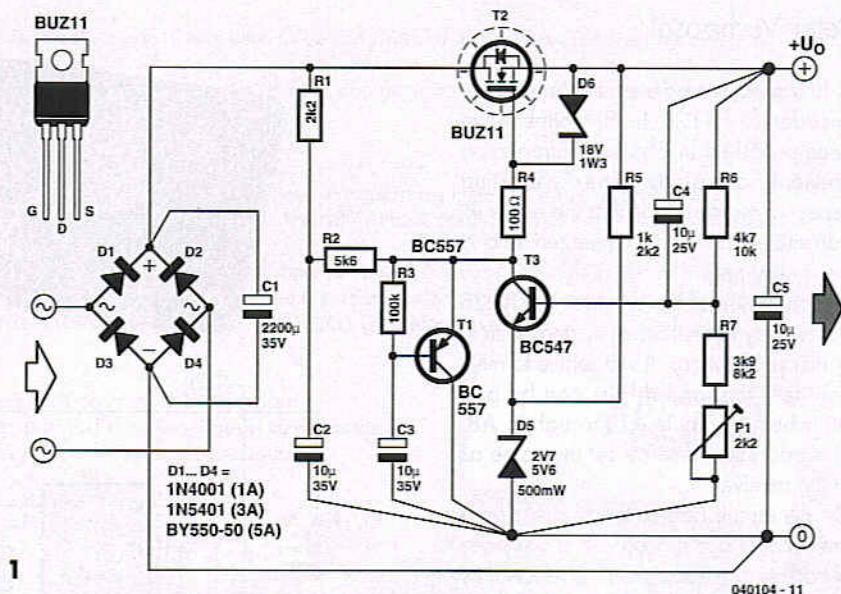
Valves are enjoying increasing popularity in audio systems. With the European 'E' series of valves, such as the ECC83 (12AX7) and EL84 (6BQ5), the filament voltage is 6.3 V. Depending on how the circuit is wired, the ECC 81-83 series of twin triodes can also be used with a filament voltage of 12.6 V. In earlier times, the filament voltage was usually taken directly from a separate transformer winding, which (in part) was responsible for the well known 'valve hum'.

With regard to the signal path, current valve circuits have hardly experienced any fundamental changes. In high-quality valve equipment, though, it is relatively common to find a stabilised anode supply. Mains hum can have a measurable and audible effect on input stages whose filaments are heated by an ac voltage. The remedy described here is a stabilised and precisely regulated dc filament voltage. The slow rise of the filament voltage after switching on is also beneficial. The exact setting of the voltage level and the soft start have a positive effect on the useful life of the valves.

Figure 1 shows a voltage regulator meeting these requirements that is built from discrete components. The two sets of component values are for a voltage of 6.3 V (upper) and 12.6 V (lower). Thanks to the fact that the supply works with a constant load, it can do without special protective circuits and the additional complexity of optimum regulation characteristics for dynamic loads.

The circuit in Figure 1 consists of a power MOSFET configured as a series-pass regulator and a conventional control amplifier. Zener diode (D5) sets the reference potential. A constant voltage is thus present at the emitter of the BC547 control amplifier (T3). The current through D5 is set to approximately 4-5 mA by series resistor R5.

The output voltage U_o (the controlled variable) acts on the base of the control amplifier (T3) via voltage divider R6/R7. If the output voltage drops, the collector current of T3 also decreases, and with it the voltage drop across load resistors R1 and R2. The voltage on the gate of the MOSFET thus increases. This closes the control loop. The values of the resistors forming the voltage divider are chosen for



the usual tolerances of Zener diodes, but they must be adjusted if the diode is out of spec (which can happen).

The load resistance of the control amplifier is divided between R1 and R2. The current through the load resistance and the collector current of T3 are practically the same, since the MOSFET draws almost no gate current. Filter capacitor C2 is connected to the junction of R1 and R2 to reduce residual hum. Electrolytic capacitor C4 and power supply filter capacitor C1 serve the same purpose. The hum voltage also depends on the magnitude of the load current.

The voltage drop over the series-pass regulator is nearly the same for an output voltage of 6.3 V or 12.6 V. With a BUZ11 and a load of 1 A at 6.3 V, for instance, the average voltage across the source-drain channel is approximately 7 V. The power dissipation of 7 W requires a corresponding heat sink.

The slow rise of the output voltage is due to the presence of timing network R3/C3 and T1. When power is switched on, T1 holds the gate of the MOSFET at nearly ground level. As C3 charges, T1 conducts increasingly less current, so ultimately only the control transistor affects the gate voltage.

The mains transformer must be selected according to the required load current. The required value of the input voltage can be read from the chart. The transformer should have a power rating at least 30% greater than what is necessary based on the calculated load dissipation. Where possible, preference should be given to a filament voltage of 12.6 V. When twin triodes in the ECC81-83 series are used, for example, the power dissipation in the series pass transistor is lower with a voltage of 12.6 V.

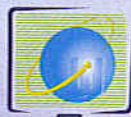
Electronics - from Australia??!!

You have to be joking?

No, not at all!

The hobby electronics market in Australia has been historically very strong with large numbers of enthusiasts serviced by dynamic electronic magazines and vigorous commercial suppliers.

The most dominant company in this "Down Under" market, Jaycar Electronics, is now in a position to offer its great range of products to a wider audience, thanks to the Internet.



Moreinfo?
www.jaycarelectronics.co.uk

Concerned about dealing on the Internet?

Well, you should be. At the same time, the amount of legitimate internet trade exceeds the fraudulent trade by millions and millions to one. World internet trade today easily exceeds the Gross National Product of many large countries!

Jaycar has been doing business on the Internet now for over 10 years. The thousands of happy repeat customers on our files is a testimony to how safe it can be when you deal with a reliable supplier like us. Worried about freight costs? NO NEED with our great rates.

2004 Catalogue - all 424 pages

We have printed this year our Jaycar 2004 catalogue in UK pounds. It is crammed packed with over 6000 exciting products. You can get one FREE by logging on to our website and filling out the catalogue request form at www.jaycarelectronics.co.uk/catalogue

We Stock:

- A huge range of exciting kits
- A great range of robotic components
- The best range of electronic components
- The largest single-source range of gadgets
- Security, Surveillance, Audio/Video, Lighting, Computer & Telecoms Parts etc.

Check our website!

- Entire Jaycar 2004 Catalogue on-line - over 6000 products.
- 128-bit Secure on-line ordering - safe & secure.
- Express ordering.
- Search by category, keyword or catalogue number, & advanced search.
- Over 3500 product datasheets & application notes available on-line.

High performance Electronic Projects for Cars Book - Silicon Chip Publications

(Australia's Leading Electronic Hobbyist Magazine Publisher)
BS-5080 £6.35.

All the instruction, and more! It shows, in full colour, the constructed modules, has colour overlay diagrams, detailed build guides, and fitting instructions. It also includes chapters on how engine management works, advanced engine management, electronic car systems like ABS and traction control, DIY electronic modification, and more! It is a definitive must-have if you are building any of these kits, or would just like to know how your car's electronics work.

Over 150 pages!



A Cheap Nitrous Fuel Mixture Controller

KC-5382 £7.25

Nitrous oxide systems can be expensive to set up, but now you can do it for much less. This project pulses a fuel injector at a preset rate, adding a fixed amount of nitrous fuel when you activate it. It will save you a bundle on dedicated fuel solenoids and jets. It can also be used to control electronic water pumps, cooling fans, and more. Kit supplied with PCB and all electronic components. *Please check local laws regarding the use of Nitrous Oxide systems in your vehicle.



Theremin Synthesiser

AM-4025 £27.25

This is a built up Theremin from a Jaycar kit. The Theremin is a weird musical instrument that was invented early last century but is still used today. The Beach Boys hit: "Good Vibrations" featured the Theremin. You can have one of these kits (cat no. KC-5295) for £12.95. All kits have first class instructions written in clear English text with plenty of illustrations and component identification.



FREE
424 page
Catalogue



www.jaycarelectronics.co.uk

0800 032 7241

(Monday - Friday 09.00 to 17.30 GMT + 10 hours only)

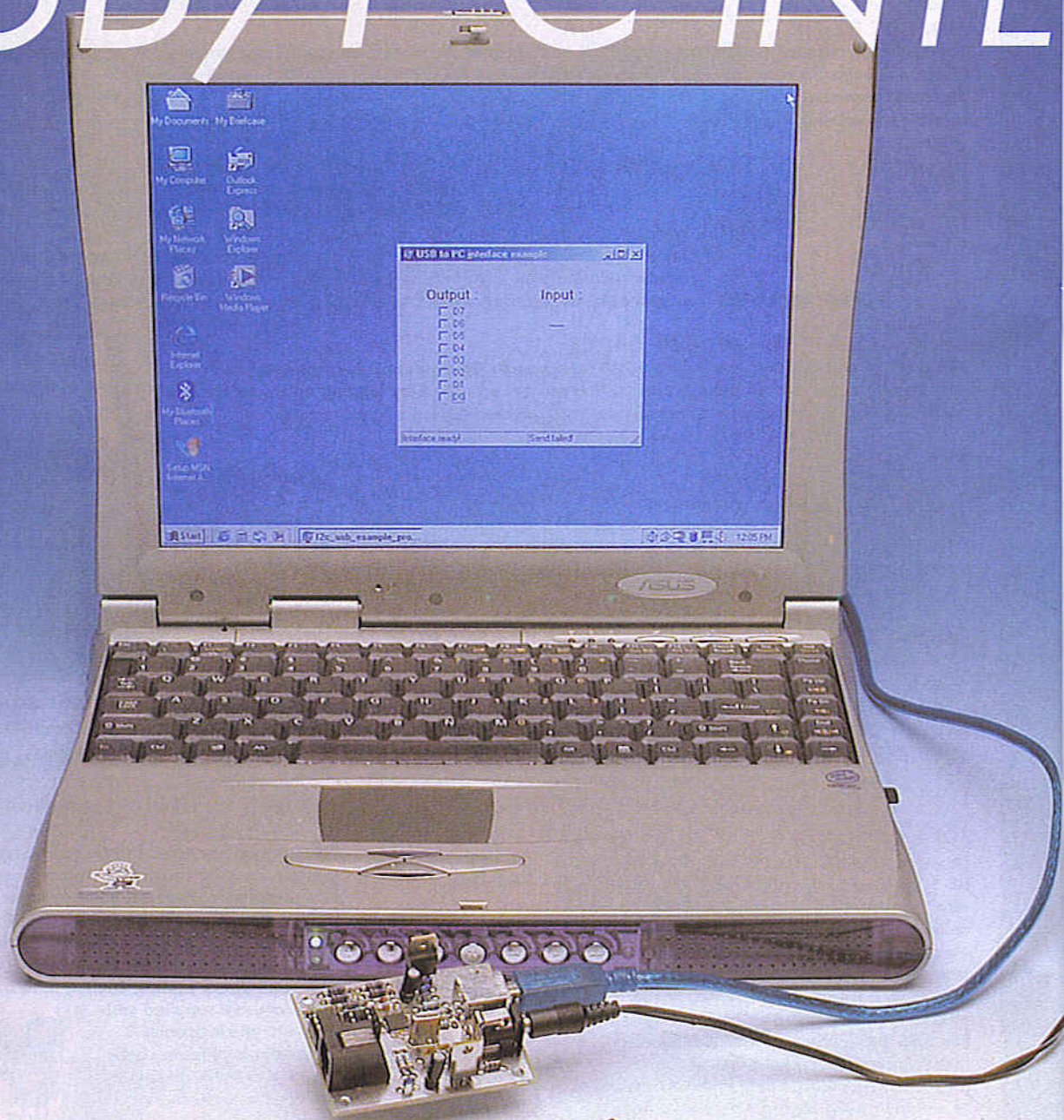
For those that want to write:

100 Silverwater Rd Silverwater NSW 2128 Sydney Australia

Jaycar
Electronics

USB/I²C INTER

Paul Goossens



Since the introduction of the I²C bus in the eighties by Philips it has been used many times to provide a simple connection between a PC and home-built circuits. This often made use of a simple interface connected to the parallel port of the PC. This now seems a bit dated, so we've designed a USB/I²C interface for you to build.

Articles about the I²C bus have appeared several times in *Elektor Electronics*. We have even published designs for a whole range of modules that communicated with a PC via the I²C bus. At that time we used an ISA card to provide an I²C interface. Another type of interface that was frequently used was a simple circuit that connected to the parallel port.

But with the introduction of modern operating systems it became much more difficult to control the parallel port correctly. The old software would often no longer function properly.

We have designed a new I²C interface, which uses the USB bus instead of the parallel port to connect to the PC, so that it can be easily used with newer PCs and modern operating systems.

I²C history

Philips originally developed the I²C bus to provide communication facilities between the various chips found in television, video recorders, etc., without taking up too much space on the PCB. The result is that the I²C bus requires only two signal lines instead of 8 datalines, several address lines and a few control lines, which was the case up to then.

Once this bus was in common use, various other chips were designed with an I²C interface by Philips as well as other manufacturers. Many chips were designed for use in audio and video equipment, such as tone controls, synthesizers, volume controls, and so on. The range has been extended since then and now includes digital I/O buffers, A/D converters etc., giving us a wide range of I²C devices to choose from.

I²C operation

The I²C interface is a so-called master-slave bus. This means that every I²C

Quick specifications

- Compact
- USB 1.0 full-speed interface
- Compatible with USB2.0 hosts
- Works with Windows 98SE to Windows XP
- Doesn't require separate driver software
- The maximum cable length between the interface and modules is at least 100 metres!
- I²C frequency: 100 kHz
- Simple to use by means of a DLL
- Source code for the firmware, DLL and example program is available
- Uses a 9 V mains adapter as the power supply

bus has one master device, with all other devices acting as slaves. The master is always responsible for supplying the clock signal on the bus. Every transaction may be initiated by the master only. A slave should therefore never start transmitting data on its own accord!

Each slave on the I²C bus has its own unique address. Every transaction begins with a START condition, followed by a 7-bit address and a R/W bit. If a slave with this address is present on the bus it will send an ACK (acknowledge) signal to confirm that it has recognised its address. All the other I²C slaves will now ignore the data on the bus and will only start listening again after a STOP condition has been detected on the bus.

The R/W bit is used to inform the slave whether the master wants to read or write data. When this bit is a '1', the master wants to read data. In this case, the next byte will be put onto the bus by the slave. If this bit is '0' (Write), the following byte(s) will be transmitted by the master. The

master still generates the clock signal in both cases.

At the end of the communication is a STOP condition and the whole process then repeats itself.

Interface

The interface we've designed should satisfy several requirements. We would like to keep the installation under Windows as easy as possible. What's more, it should be (relatively) easy to control the interface. It would also be nice if we could run longer cables between the interface and I²C modules, so the user can connect devices that are a long way away from the PC.

Our first task was to search for a suitable controller with a USB interface. We decided to use a TUSB3410 made by Texas Instruments, as this microcontroller has both a USB as well as an I²C interface. This is described (somewhat misleadingly) as a 'USB to Serial Port Controller'. In fact this is an 8051 compatible controller with a USB inter-

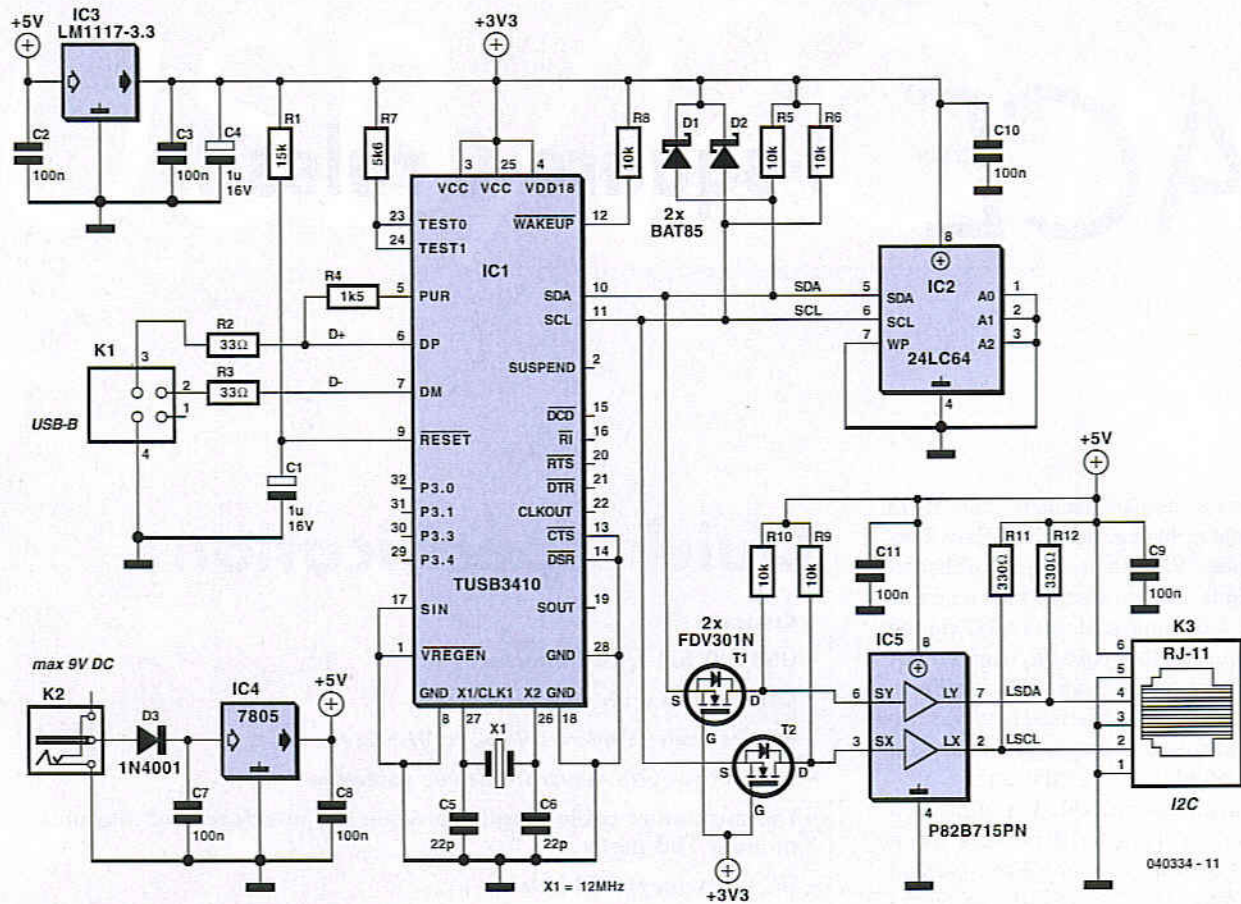


Figure 1. The circuit for the interface is built round a TUSB3410.

face, 16 kBytes of program memory, an enhanced serial port and an I²C interface. All these goodies are contained within a small 32-pin SMD package. To satisfy the requirement for the I²C connection to work over greater distances, we have given the signals an extra boost with the help of a P82B715PN I²C bus extender.

Circuit diagram

The circuit diagram for our interface is shown in **Figure 1**. At the heart of the circuit is the TUSB3410 (IC1) with its associated oscillator (X1, C5 and C6). We've used an external mains adapter for the power supply. Its 9 V output is stabilised down to 5 V by IC4. There is also a requirement for a 3.3 V supply for the processor and the I²C EEPROM. For safety reasons we decided not to supply the circuit with power directly from the USB bus. The 5 V supply is also brought out on this connector and an overload or short could damage the USB interface in the PC.

The data lines from the USB connector (K1) are connected via resistors R2 and R3 to the appropriate data inputs of

the controller. The D+ line is connected via a 1k5 pull-up resistor to the PUR (Pull-Up Resistor) output of IC1. Normally this resistor is connected to the positive supply. This is required for a USB hub to detect that a full-speed USB device is connected to the USB port. By connecting this pull-up resistor to an output of the controller, the controller itself can tell the USB hub that a device is present. The reverse is also possible in that the controller can fool the hub that the device has been disconnected, by forcing this output low. This process is important during the booting of the chip (refer to the inset on booting the TUSB3410).

The firmware is stored in an I²C EEPROM (IC2) and is connected to the controller via the I²C bus. Diodes D1 and D2 absorb any potential voltage spikes and protect both I²C signal inputs of the controller. R5 and R6 are the pull-up resistors that have to be present on every I²C bus.

You will have noticed that the I²C bus of the controller works at 3.3 V. These signals are not suitable for use in combination with a 5 V chip. Unfortunately, the I²C bus-extender is a 5 V device, so

both I²C signals first have to be converted to a 5 V level. This is taken care of by components T1, T2, R9 and R10. The P82B715PN I²C bus extender along with R11 and R12 allow longer cables to be connected to the I²C bus by lowering the impedance and increasing the current output. These signals are then taken to the outside world via K3.

The double-sided PCB shown in **Figure 3** is very small, but still has all the required connectors on board. Mounting the components shouldn't be very difficult, with the exception of the SMDs: IC1, T1 and T2. It's still possible to solder the two transistors using a soldering iron with a fine tip, but it becomes more difficult with the IC. The IC should first be fixed in the right place on the board with a drop of glue. Then solder all pins together as well as to the solder pads. You should work quickly to avoid the IC becoming too hot. After everything has cooled down again you should place a clean piece of desoldering braid across the pins and remove the excess solder (i.e. the shorts between the pins). Don't attempt this with a solder sucker! Take

care at all times that the IC doesn't overheat. You should finally inspect all pins with a magnifying glass and multi-meter to check that they are connected properly and that there aren't any shorts left.

This completes the trickiest part of the construction.

An example of a suitable module that can be connected to the interface is shown in the **I²C Home Bus** article.

If you prefer to use the I²C bus without the I²C bus-extender, you should make the following modifications:

IC5, R11 and R12 can be left out. Pins 3 and 2 on IC5 have to be connected together, as do pins 6 and 7. This is easily done by putting two short

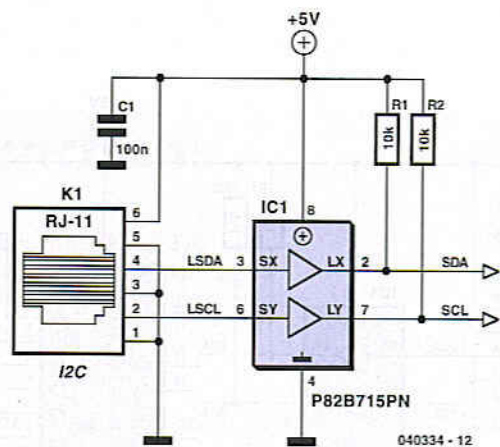


Figure 2. Input circuit for I²C modules when the I²C I/O-extender (IC5) is used.

COMPONENTS LIST

Resistors:

- R1 = 15k Ω
- R2,R3 = 33 Ω
- R4 = 1k Ω
- R5,R6,R8,R9,R10 = 10k Ω
- R7 = 5k Ω
- R11,R12 = 330 Ω

Capacitors:

- C1,C4 = 1 μ F 16V radial
- C2,C3,C7-C11 = 100nF
- C5,C6 = 22pF

Semiconductors:

- D1,D2 = BAT85
- D3 = 1N4001
- IC1 = TUSB3410 (Digikey # 296-12699-ND)
- IC2 = 24LC64, programmed, order code **040334-21**
- IC3 = LM1117-3.3 or LD1117V33C (Digikey # 497-1492-5-ND)
- IC4 = 7805
- IC5 = P82B715PN (Farnell # 559-258; RS Components # 821-784)
- T1,T2 = FDV301N (Farnell # 995-848; RS Components # 354-4907)

Miscellaneous:

- K1 = USB-B connector, angled, PCB mount (Farnell # 152-754)
- K2 = mains adapter socket PCB mount
- K3 = 6-way RJ-11 connector (Farnell # 393-8359)
- X1 = 12MHz quartz crystal
- USB cable

PCB, order code **040334-1** (see Readers Services page)

Disk, project software, order code **040334-11** or Free Download

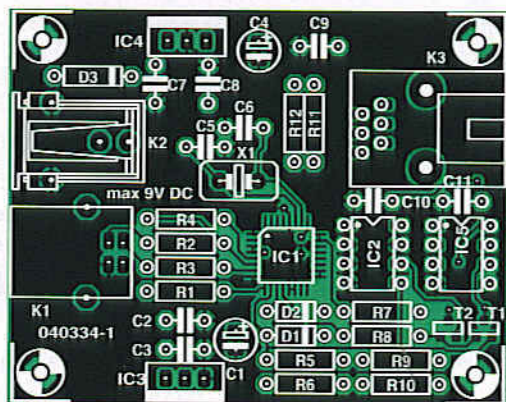
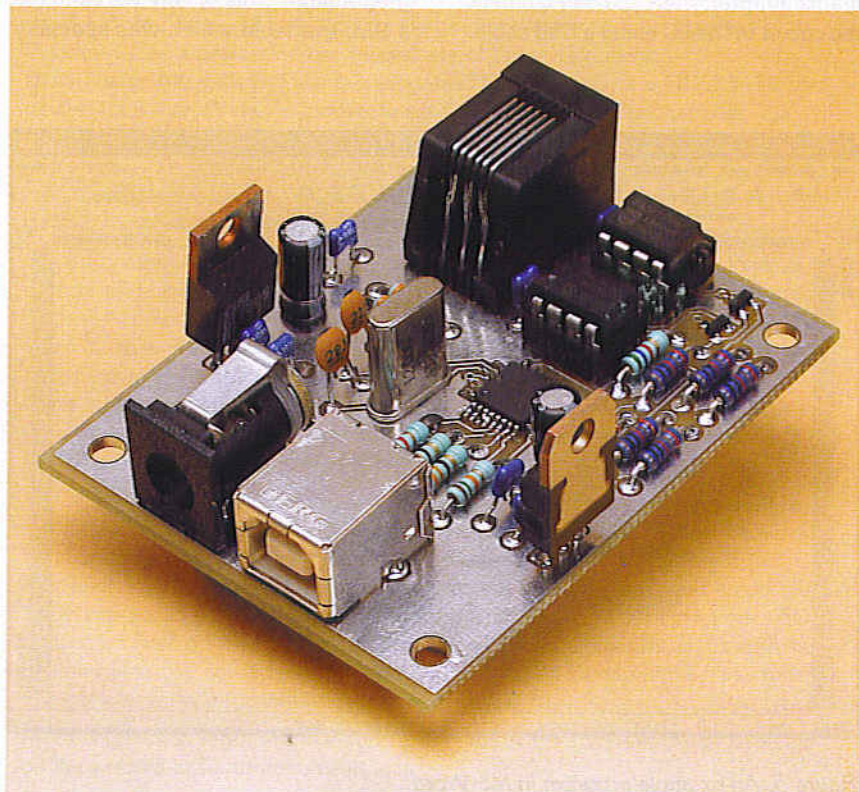


Figure 3. The PCB for the interface. IC1, T1 and T2 are SMDs and have to be soldered carefully using a fine tip. (copper track layout from our website)



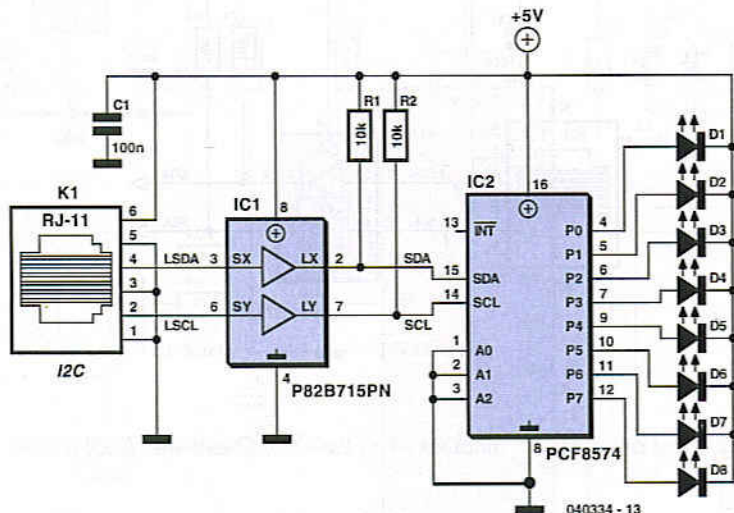


Figure 4. This circuit can be built to help test the interface.

wires into the IC socket. The modules may now connect the SCL and SDA lines directly to the I²C connections of their ICs.

If the I/O extender circuit is included on the PCB, it is essential that all connected modules have the input circuit shown in Figure 2.

Installation and DLL

Installing the circuit is fairly straightforward. First you have to connect the mains adapter, then you can connect the circuit to the PC using a USB cable.

Windows (from 98SE onwards) will immediately recognise it as a HID device and after some rattling of the hard drive Windows announces that the device is ready for use.

But there is more to it than that of course. We also need to write a program that makes use of the interface. Its functions obviously depend on the modules that are connected and what you want to do with them. We realise that controlling a HID device isn't exactly a piece of cake for the average programmer. This is why we've made a DLL available which was specially

written to control our USB interface. We would recommend that this DLL is copied to the C:\Windows\System32 folder. This makes the DLL available to the operating system at all times and you don't have to copy the DLL to the folder where the application using this DLL is stored!

This DLL can be used with any programming language that supports the use of external DLLs. A few examples of such languages are Visual Basic, Visual C++, Delphi and Borland C++ Builder.

Two methods

You can use the DLL from your application in one of two ways. When we wrote the DLL it seemed logical to make the application pass an array of bytes, where the DLL could either store the received bytes or read the bytes to be transmitted.

Most programming languages don't have a problem with the use of arrays as arguments in DLL functions. But it's a bit different with Visual Basic. Although it is possible with this programming language, it is a lot trickier for the novice Visual Basic programmer. For this reason we have included a few extra functions and procedures which make it easier to use the interface under Visual Basic.

To help you on your way we have written two simple examples in Visual Basic and Delphi, which control a standard I²C I/O extender. These examples show the two methods in which the DLL can be used.

The circuit of the module required for the examples is shown in Figure 4. The circuit is simple enough for it to be built on a piece of experimenter's board.

Get to work with Word

In the June edition of Elektor Electronics we showed how the well-known word processor MS-Word could also be used to write your own programs. Since most Windows users have a copy of this word processor, it made sense to show you a simple example, written using Word. We have of course kept this example fairly simple and didn't use any arrays when communicating with the DLL!

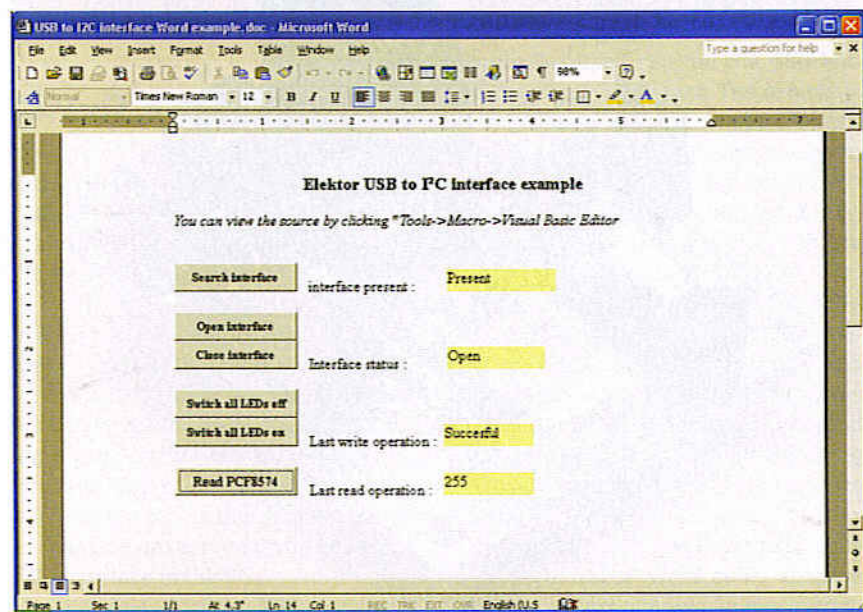


Figure 5. An example program in MS-Word.

The required file is part of the project software (order code 040334-11) and can be found in the folder 'Word example'. When you open this document you may, depending on the security settings of Word, get a question asking if you want to use macros in this document. You should answer this question with 'yes', otherwise the example won't work.

You should then see the document on the screen as shown in Figure 5. When you press the top button the software searches for the interface. The box next to this button shows whether the interface has been found or not.

Before we can use the interface, it must first be opened. This requires a mouse click on the button 'Open interface'. Once you have finished using the interface, it should be closed with a click on the button 'Close interface'. The result of a click on these two buttons can be seen on the associated yellow pane.

The next two buttons are used to turn the LEDs on and off (you have of course built and connected the circuit shown in Figure 4, haven't you?). You can obviously tell from the LEDs on the module if the data was successfully sent, but as you may have gathered, this is also shown in the box to the right of these buttons.

The final button is used to show the status of the inputs of the PCF8574. The value returned by the PCF8574 is shown in the window to the right of this button.

A more detailed explanation is given in the sidebar for 'Using the DLL without arrays'. This sidebar and the source code of the Word document should be enough for a programmer to understand how it all works.

Delphi

Our second example is a very simple application written in Delphi. A question we're sometimes asked is why we use the Delphi language so often in our examples. The reason this programming language is so useful for examples is that it is derived from Pascal and easy to follow. A C programmer should also be able to follow it without problems. The opposite is not true, since a Pascal programmer would have great difficulty in following a C program.

The files for this example can be found in the folder 'Delphi example'. The

DLL functions

Standard:

```
type TReport = array[0..200] of Byte;
function I2C_USB_Present : Boolean; stdcall;
function I2C_USB_Opened : Boolean; stdcall;
function I2C_USB_Open : Boolean; stdcall;
procedure I2C_USB_Close; stdcall;
```

Communication using a program buffer:

```
function I2C_USB_Write (adr : Byte; length : Byte; data : array of Byte) : Boolean;
stdcall;
function I2C_USB_Read (adr : Byte; length : Byte; var data : array of Byte) :
Boolean; stdcall;
```

Communication using the DLL buffer:

```
procedure I2C_USB_ClearWriteBuffer; stdcall;
procedure I2C_USB_ClearReadPointer; stdcall;
procedure I2C_USB_FillBuffer (data : Byte); stdcall;
function I2C_USB_GetBuffer : Byte; stdcall;
function I2C_USB_WriteWithBuffer (adr : Byte) : Boolean; stdcall;
function I2C_USB_ReadWithBuffer (adr:Byte; length:Byte) : Boolean; stdcall;
```

Booting the TUSB3410

The TUSB3410 has a unique way of initialising itself at power-up. In contrast to many of its modern contemporaries, this controller doesn't have on-chip flash memory for storing programs. Instead, it has ordinary RAM for the programs. Consequently, this memory will be completely blank at the start-up. Texas Instruments has included a small program in ROM that is executed at start-up, which cleverly loads a program into RAM. This can happen in two ways.

The boot program first checks if an I²C EEPROM is connected to the I²C bus. If this isn't the case, the controller announces itself on the USB-bus with a certain Vendor-ID and Product-ID. As long as the correct driver has been installed in Windows (freely available from the website of Texas Instruments, <http://www.ti.com>), it will be recognised by Windows as a 'TUSB3410 boot device'. This then causes Windows to send the firmware to the controller. The exact mechanism of this process is explained in the documentation from Texas Instruments. The controller stores the received firmware in its program RAM and then disconnects from the USB bus. The controller then switches to its normal operating mode and starts executing the firmware in the program RAM.

The first method of starting up is the one we've used for our controller. With this method all of the firmware is stored in an I²C EEPROM. The boot program in the controller knows from the header (the first few bytes in the EEPROM) that this EEPROM contains the firmware. Once it has verified that the header is correct, the controller will read the rest of the EEPROM and store it in its program memory. Once that has completed the controller switches to its normal mode and starts executing the firmware. This method has the big advantage that the end user (that's you) doesn't have to install the device driver from Texas Instruments on the PC.

You may well ask what happens when you have two different devices, each using a TUSB3410, but with totally different firmware; how would Windows know what firmware had to be sent to which device? The way round this problem is to provide each USB device with a unique combination of a Vendor-ID and Product-ID. These are stored in the EEPROM and are transmitted by the boot program when it announces itself on the USB bus. The documentation provided by Texas Instruments explains how you can edit the 'inf' file for the TUSB3410 and make it use different firmware for different combinations of the VID and PID.

More information regarding the boot-up process of the TUSB3410 can be found on the website of Texas Instruments.

source code has been kept as compact as possible, which resulted in a single procedure (*Timer1Timer*) for all communication with the interface. This procedure is also responsible for detecting and opening the interface. Immediately afterwards the program reads and writes to the PFC8574, which you had already connected to the I²C bus, of course!

We would like to reassure you that it's not a problem if you open the inter-

face as soon as your program starts and if you close it when the program finishes. In this case we did this in a timer routine that is called twice a second. You can therefore connect and disconnect the USB interface at will while the program runs.

Follow-up

This edition of *Elektor Electronics* also contains an application for this inter-

face, where we can control various peripherals (see 'I²C Home Bus'). It is also possible to design your own modules and to control them using this interface. You will of course need some programming experience under Windows for this.

(040334-1)

Using the DLL

without arrays

In general:

I2C_USB_Open This is called to gain access to the interface. The function returns 'true' when permission is granted.

Reading an I²C chip:

I2C_USB_ClearReadPointer This should be used to initialise a new read command.

I2C_USB_ReadWithBuffer takes care of the reading of bytes via the I²C bus. This function takes two arguments. The first is the I²C address of the device from which we want to read. The second argument specifies how many bytes (maximum of 255) have to be read. This function returns 'true' when the bytes have been successfully read.

The function **I2C_USB_GetBuffer** can then be used to read these bytes one by one.

Writing to an I²C chip:

Before we send any data we should call the procedure **I2C_USB_ClearWriteBuffer**. This procedure makes sure that we begin with a clean slate.

Next we use the procedure **I2C_USB_FillBuffer** to send the data to the DLL one byte at a time. The only argument for this procedure is the byte to be sent. After all bytes of the message have been sent to the DLL we only need to call the function **I2C_USB_WriteWithBuffer** to get these bytes sent via the I²C bus to the desired I²C device. This function takes the address of the receiving I²C device as argument.

with arrays

In general:

I2C_USB_Open This is called to gain access to the interface. The function returns 'true' when permission is granted.

Reading an I²C chip:

In this case we only need one function to read data from the I²C device, which is **I2C_USB_Read**. This function takes three arguments. The first argument specifies the I²C address of the device that we want to communicate with. The second argument states the number of bytes we want to read. The final argument points to a buffer where the received bytes can be stored. This function returns 'true' when the communication went faultlessly.

Writing to an I²C chip:

This command also requires just a single call to the DLL. The function **I2C_USB_Write** takes care of this task. The first argument specifies the I²C address here as well. The second argument specifies how many bytes we want to send. And finally, this function requires a buffer that contains the bytes to be transmitted. Just as with the previous function, the return value tells us if the communication went flawlessly.

N.B. Keep in mind that it's the responsibility of your program to make sure that the buffer is big enough to receive all the data!

Advertentie



Prototypes and small series up to 1000 pcs

Value for Money

Up to 6 layer boards

Always Available

Attractive price

On-line Printed Circuit Boards

Double Sided, 1.6 mm,
Plated Through,
Green Solder mask,
Hot Air Level,
1 White Legend.
Price including
tooling + plotting + VAT

100 mm x 160 mm
1 pc = 45.74 Euro

100 mm x 80 mm
5 pcs = 68.97 Euro

www.ThePCSHOP.com

INDUSTRY LEADING DESIGN SOFTWARE

B² Spice v5

FREE 30 DAY TRIAL

FULL - OPERATIONAL SINGLE USER VERSION

Used worldwide by higher education, research and industrial professionals B2 SPICE is a powerful and most importantly, ACCURATE software package for professional and enthusiast alike.



New Powerful functions

FEATURES

- Instruments – Meters, Scopes, Transient Recorder, Function Generator, Power Supply
- Test mode, equivalent to the standard SPICE analyses and a separate continuous transient simulation mode that allows you to interactively alter device and circuit parameters and examine the results immediately
- Layered sweeps, meaning you can step almost any device or circuit parameter on top of any Test
- Monte Carlo analysis available for all tests
- Easier part selection, including a customizable Parts Palette
- User-friendly interface with buttons and control tabs
- Live updating in Simulation mode
- Circuit wizard makes it easy to generate standard circuits including Attenuators, Power Supplies, Filters, Op-Amp and Tube-based Circuits
- Tabbed-based Windows
- Highly flexible graphing
- 3D graphing

**+10 NEW
VIRTUAL
INSTRUMENTS**

- NEW "realistic" models for caps, resistors, inductors
- Interactive parts including switches, fuses, LEDs, etc.
- Layered Sweep tests (expanded).
- Expanded Monte-carlo tests

B2 SPICE is backed by comprehensive technical support both local rate telephone and online, full user manuals and tutorials and a NO QUIBBLE, FREE 30 DAY EVALUATION OFFER

R_DResearch

CALL 01603 872331

www.spice-software.com

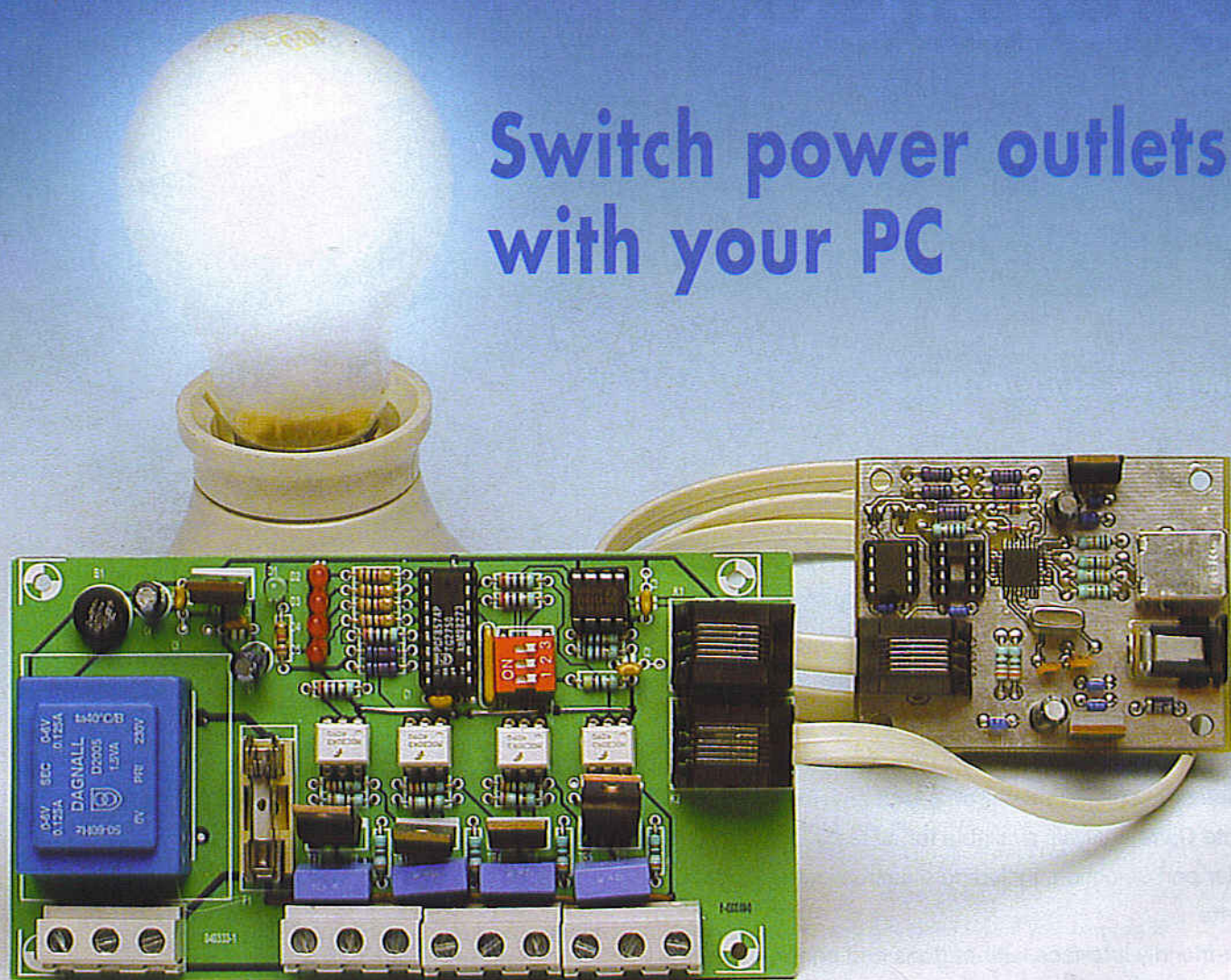
ONLY
£229 INCLUDING p&p
Ex VAT



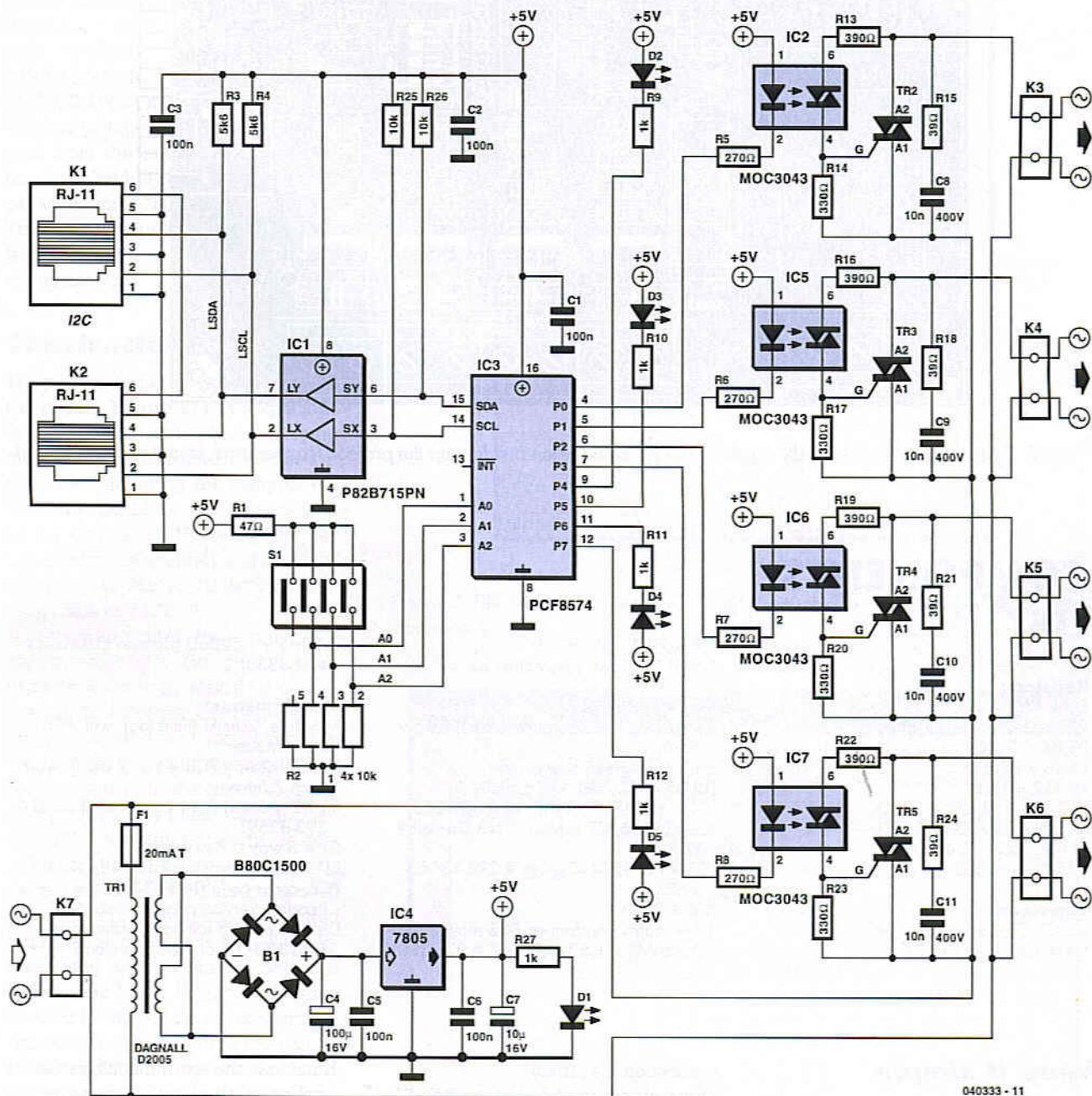
I²C-homebus

Paul Goossens

Switch power outlets
with your PC



This unit, in combination with the USB/I²C interface described elsewhere in this issue, may be used to switch four mains-powered devices on and off via the PC. Eight of these modules may be connected to a single interface, allowing up to 32 loads to be controlled. The system is ideal for a small home bus!



040333 - 11

Figure 1. The essential elements in the circuit diagram are an I²C driver IC and a bus extender.

Triggered by other articles on home automation in this issue, you may feel like investigating the possibilities of automating, or at least remote controlling, a couple of electrical devices in and around your home. If you do not want to rush off to the high street stores to buy a box full of ready-made modules working on a more or less familiar protocol, then home construction of a small system is a perfectly viable alternative. An I²C system can be used without problems for a small home bus com-

prising a couple of features for control and switching. Provided extra bus drivers are applied, distances of the order of tens of metres are easily covered. The connecting cable between the modules is reasonably simple as we employ 6-wire UTP cabling with RJ11 plugs. Also, there is a wide choice of ICs with I²C compatibility, serving an impressive number of applications. At the PC side we already have a suitable circuit in the form of our USB/I²C interface. Thanks to its design, this

interface is capable of covering large distances and so forms the perfect starting point for a simple I²C-based Home Bus. At the 'device' side there are a great many possibilities when it comes to creating an I²C connection. In this article we describe a circuit that allows four mains-powered devices to be switched (TV, lighting, coffee machine, etc.). Several modules may be connected to the bus, so quite a lot of electrical equipment in and around the home may be 'bused' in this way.

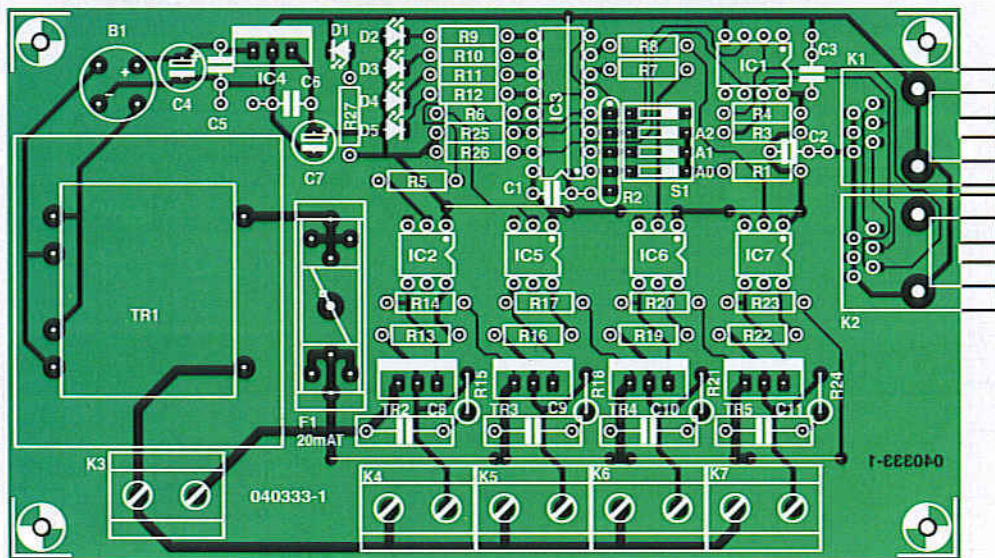


Figure 2. If you use this board, hardly anything can go amiss when building up the project. (copper track layout on our website)

COMPONENTS LIST

Resistors:

R1 = 47Ω
 R2 = 10kΩ 4-way SIL array
 R3,R4 = 5kΩ
 R5-R8 = 270Ω
 R9-R12 = 1kΩ
 R13,R16,R19,R22 = 390Ω
 R14,R17,R20,R23 = 330Ω
 R15,R18,R21,R24 = 39Ω
 R25,R26 = 10kΩ

Capacitors:

C1,C2,C3,C5,C6 = 100nF
 C4 = 100μF 16V radial

C7 = 10μF 16V radial
 C8-C11 = 10nF, safety class X2

Semiconductors:

B1 = B80C1500 in round case (80V piv, 1.5A)
 D1 = LED, green, low current
 D2-D5 = LED, red, low current
 IC1 = P82B715PN (Farnell # 559-258)
 IC2,IC5,IC6,IC7 = MOC3043 (Farnell # 885-710)
 IC3 = PCF8574 (Digikey # 296-13106-5-ND)
 IC4 = 7805
 Tr1 = mains transformer, PCB mount, sec. 2 x 6V/2 x 1.5 VA (Farnell # 926-280)

Tri2-Tri5 = TIC206D (Conrad Electronics # 186333)

Miscellaneous:

F1 = fuse, 20mAT (time lag), with PCB mount holder
 K3-K7 = 2-way PCB terminal block, lead pitch 7.5mm
 K1,K2 = 6-way RJ11 connector (Farnell # 393-8359)
 S1 = 3-way DIP switch
 RJ11 cable (Farnell # 754-948)
 PCB, order code **040333-1** (see Readers Service page or website)
 Disk; all project software, order code **040333-11** or Free Download

Keep it simple

As you can see in the circuit diagram in **Figure 1**, the active part of the circuit consists of a remote 8-bit I/O expander type PCF8574 and an I²C bus extender type P82B715PN.

The PCF8574 in position IC3 contains an 8-bit bidirectional port and an I²C bus interface. The eight open-drain outputs can 'source' sufficient current to drive LEDs directly. Thanks to internal latches, the IC remembers the most recent configuration. Four output pins control the four status LEDs in the circuit; the other four connections each serving a mains output. Actually, the LEDs and triacs are controlled separately via the bus, but the software written for the system will automatically ensure each LED will always indicate the status of the associated mains

connection (i.e., triac).

Three pins (wired to DIP switch S1) allow one of up to eight module addresses to be set; meaning that up to eight of these circuits may be connected to a single bus — and addressed individually. It should be noted that the -A version of the PCF8574 has a different slave address range. If you use the **PCF8574A** in another eight modules, up to 16 modules may be connected to the bus.

The bus extender IC, IC1, acts as a 'booster', increasing the currents through the I²C bus and so making it less susceptible to external interference. If, as in our example, UTP cable is used, then a distance of about 200 metres may be covered between PC interface and module — more than enough to 'wire' your average home we'd say.

Note that the extender IC has to be applied in all modules connected to the bus if it is also present on the USB/I²C interface board (or similar modules of your own design). The connections with the I²C bus are routed via two RJ11 connectors on the board.

The mains-powered loads are switched on and off using a combination of an optoisolator and a triac. In this way we have a good electrical isolation between the mains on the one hand and the circuit and the Home Bus, on the other. The MOC3043 is an optoisolator with an internal diac and zero-crossing detector, which make it ideal for driving a triac.

The triacs used are the common-organ type TIC206D. They require a so-called snubber network to protect the device against voltage surges

across the anodes. In this case, we've added a series network of a 39- resistor and a 10-nF capacitor for each triac. If you want to use so-called snubberless triacs, then resistors R15/R18/R21/R24 and capacitors C8/C9/C10/C11 may be omitted.

The low-voltage logic circuitry is powered from the mains using a transformer, a bridge rectifier, a reservoir capacitor and a 7805 voltage regulator. This power supply affords electrical isolation between the circuit and the mains network.

Construction

The printed circuit board designed for the circuit (Figure 2) has a spacious layout with all connectors carrying mains voltages conveniently located at one side. Mounting the components onto the board is not expected to cause problems. However, do pay attention to the orientation of polarized components like electrolytic capacitors, LEDs and ICs.

It is wise to mount the circuit into a sturdy enclosure. For guidance on aspects related to electrical safety, consult the *Electrical Safety* page.

The mains appliance socket fitted in the case has to be fitted separately, as the fuse shown in the circuit diagram only protects the mains transformer. Fused IEC appliance sockets are easily found.

Once the board is populated, you need to check if the logic is properly isolated from the mains. This is best done by measuring the resistance between logic ground and both mains wires (Live and Neutral). Do not connect the circuit to the I²C bus until the results of these isolation tests are satisfactory.

Software

In order to enable you to get cracking with the USB/I²C interface and one or more 'device' modules without having to do your own programming, we've written a small Windows program that allows module outputs to be controlled easily just using the mouse. This program not only verifies the proper operation of the hardware but also forms a good starting point for your own experiments in programming.

The main window shows an overview of selected outputs with associated names, with switches to the right of them. The setup window allows one of the connected circuits to be selected (including the test circuit with the

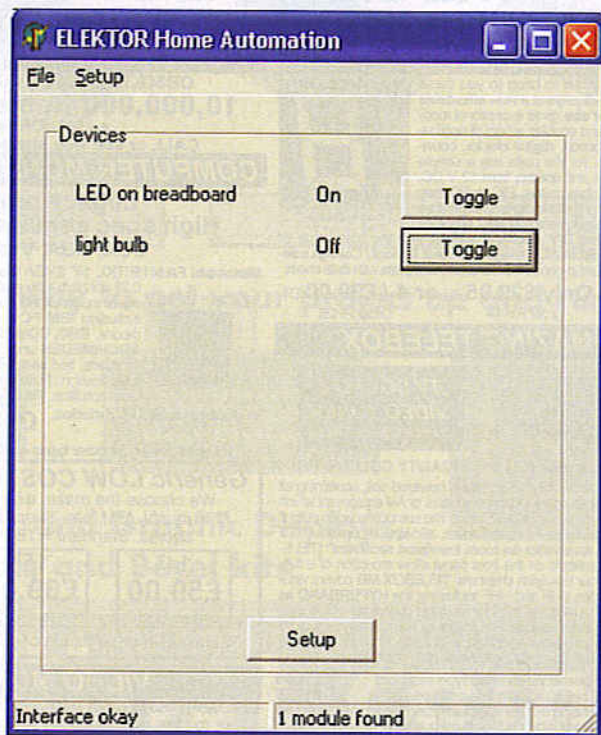
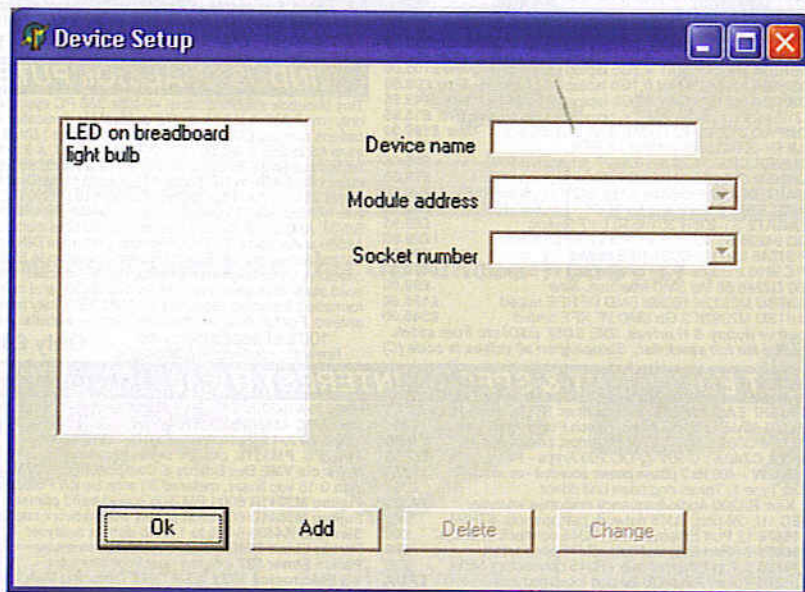


Figure 3. This little program allows a simple mouse click to control any individual module output.



USB/I²C interface) and subsequently add any number outputs to the 'switch list' as well as tag them with a name. The name tags then show up in the overview seen in the main window. Both the executable program and the Delphi source code file are available free of charge from the Free Downloads section of our website.

The actual use of the modules in or around your home is left to your imagination and personal requirements. In

any case, there should be plenty of possibilities — for a start, you could automate the coffee machine. However, do make sure manual control is also possible, else your project will be depreciated (to say the least) by your housemates.

(040333-1)

Visit our website
www.distel.co.uk

THE ORIGINAL SURPLUS WONDERLAND!

THIS MONTH'S SELECTION FROM OUR VAST EVER CHANGING STOCKS

Surplus always
wanted for cash!

GIANT 10" 7 SEGMENT DISPLAYS

A bulk purchase enables us to bring to you these GIANT 7 segment digital displays at a now affordable price!! The 10" character size gives exceptional readability at long distances and enables a host of applications including score boards, digital clocks, counters, event timers etc. As the units are a simple electromechanical device and operate from 12V DC, simple switching via switches, relays, PIC or PC may be used to control single or multiple digits. Units feature integral Zero Power memory which greatly simplifies design. For an excellent DIY practical article, see the May issue of "Everyday & Practical Electronics" magazine. Ideal School / College construction project. Supplied in good RFE condition, complete with data sheet.



Less than 30%
of makers price! **Only £29.95(B) or 4 / £99.00(D)**

Order RW44 Order PH26

THE AMAZING TELEBOX



TV SOUND &
VIDEO TUNER
CABLE COMPATIBLE*

Converts your colour monitor into a QUALITY COLOUR TV!!

The TELEBOX is an attractive fully cased mains powered unit, containing all electronics ready to plug into a host of video monitors or AV equipment which are fitted with a composite video or SCART input. The composite video output will also plug directly into most video recorders, allowing reception of TV channels not normally receivable on most television receivers (TELE-BOX MB). Push button controls on the front panel allow reception of 8 fully tuneable 'off air' UHF colour television channels. TELEBOX MB covers virtually all television frequencies VHF and UHF including the HYPERBAND as used by most cable TV operators. Ideal for desktop computer video systems & PIP (picture in picture) setups. For complete compatibility - even for monitors without sound - an integral 4 watt audio amplifier and low level Hi Fi audio output are provided as standard. Brand new - fully guaranteed.

TELEBOX ST for composite video input type monitors £36.95
TELEBOX STL as ST but fitted with integral speaker £39.50
TELEBOX MB Multiband VHF/UHF/Cable/Hyperband tuner £69.95
For overseas PAL versions state 5.5 or 6 mHz sound specification.
*For cable / hyperband signal reception Telebox MB should be connected to a cable type service. Shipping on all Telebox's, code (B)

NEW State of the art PAL (UK spec) UHF TV tuner module with composite TV pp video & NICAM hi fi stereo sound outputs. Micro electronics all on one small PCB only 73 x 160 x 52 mm enable full tuning control via a simple 3 wire link to an IBM pc type computer. Supplied complete with simple working program and documentation. Requires +12V & +5V DC to operate.
BRAND NEW - Order as MY00. Only £39.95 code (B)
See www.distel.co.uk/data_my00.htm for picture + full details

HARD DISK DRIVES 2 1/2" - 14"

2 1/2" TOSHIBA MK1002MAV 1.1Gb laptop (12.5 mm H) **New £59.95**
2 1/2" TOSHIBA MK4313MAT 4.3Gb laptop (8.2 mm H) **New £105.00**
2 1/2" TOSHIBA MK6409MAV 6.1Gb laptop (12.7 mm H) **New £98.00**
2 1/2" TOSHIBA MK1814GAV 18 Gb laptop (12 mm H) **New £149.95**
2 1/2" to 3 1/2" conversion kit for PC's, complete with connectors. **£15.95**
3 1/2" COMPAQ 313706-B21 (IBM) 9 gb ULT/SCSI3 **New £199.00**
3 1/2" FUJI FK-309-26 20mb MFM I/F RFE **£59.95**
3 1/2" CONNER CP3024 20 mb IDE I/F (or equiv.) RFE **£59.95**
3 1/2" CONNER CP3044 40 mb IDE I/F (or equiv.) RFE **£69.00**
3 1/2" QUANTUM 40S Prodrive 42mb SCSI I/F, New RFE **£49.00**
5 1/4" MINISCRIIBE 3425 20mb MFM I/F (or equiv.) RFE **£49.95**
5 1/4" SEAGATE ST-238R 30 mb RLL I/F Refurb **£69.95**
5 1/4" CDC 94205-51 40mb HH MFM I/F RFE tested **£69.95**
5 1/4" HP 97548 850 Mb SCSI RFE tested **£185.00**
5 1/4" HP C3010 2 Gbyte SCSI differential RFE tested **£59.00**
8" NEC D2246 85 Mb SMD interfaced. **New £69.00**
8" FUJITSU M2322K 160Mb SMD I/F RFE tested **£195.00**
8" FUJITSU M2322K 2 Gb SMD I/F RFE tested **£345.00**
Many other floppy & H drives, IDE, SCSI, ESDI etc from stock, see website for full stock list. Shipping on all drives is code (C)

TEST EQUIPMENT & SPECIAL INTEREST ITEMS

MITSUBISHI FA3445ETKL 14" Ind. spec SVGA monitors **£245**
FARNELL 0-60V DC @ 50 Amps, bench Power Supplies **£995**
FARNELL AP3090 0-30V DC @ 80 Amps, bench Supply **£1850**
KINGS HILL C2403/1 0-50V @ DC 200 Amps - NEW **£3950**
1kW to 400 kW - 400 Hz 3 phase power sources - ex stock **EPOA**
IBM B230 Type 1, Token ring base unit driver **£760**
Wayne Kerr RA200 Audio frequency response analyser **£2500**
INFODEC 1U, 24 port, RJ45 network patchpanels, #TH93 **£49**
3COM 16670 12 Port Ethernet hub - RJ45 connectors #LD97 **£69**
3COM 16671 24 Port Ethernet hub - RJ45 connectors **£89**
3COM 16700 8 Port Ethernet hub - RJ45 connectors NEW **£39**
IBM 53F5501 Token Ring IC5 20 port lobe modules **EPOA**
IBM MAU Token ring distribution panel 8228-23-5050N **£45**
AIM 501 Low distortion Oscillator 9Hz to 330KHz, IEEE I/O **£550**
ALLGON 8360.11805-1880 MHz hybrid power combiners **£250**
Trend DSA 274 Data Analyser with G703(2M) 64 I/O **EPOA**
Marconi 6310 Programmable 2 to 22 GHz sweep generator **£4500**
Marconi 2022C 10KHz-1GHz RF signal generator **£1550**
HP1650B Logic Analyser **£3750**
HP3781A Pattern generator & HP3782A Error Detector **EPOA**
HP6621A Dual Programmable GPIB PSU 0-7 V 160 watts **£1800**
HP6264 Rack mount variable 0-20V @ 20A metered PSU **£1800**
HP54121A DC to 22 GHz four channel test set **EPOA**
HP8130A opt 020 300 MHz pulse generator, GPIB etc **£7900**
HP A1, Ad 8 pin HPGL high speed drum plotters - from **£550**
HP DRAFTMASTER 1 & 8 pin high speed plotter **£750**
EG+G Brookdale 95035C Precision lock in amp **£1800**
Keithley 590 CV capacitor / voltage analyser **EPOA**
Racal ICRA0 dual 40 channel video recorder system **£3750**
Fishers 48KVA 3 ph On Line UPS - New batteries **£4500**
Emerson AP130 2.5KVA industrial spec UPS **£1499**
Mann Tally MT645 High speed line printer **£2200**
Intel SBC 486/133SE Multibus 486 system. 8Mb Ram **£945**

DISPLAY ELECTRONICS

ALL MAIL TO
Dept EK, 29 / 35 Osborne Rd
Thornton Heath
Surrey CR7 8PD, UK
Open Mon - Fri 9.00 - 5.30

18 Million Items On Line Now!
Secure Ordering, Pictures, Information
VeriSign
www.distel.co.uk
Secure Site
email = admin@distel.co.uk

ALL ENQUIRIES
0208 653 3333
FAX 0208 653 8888

All prices for UK Mainland. UK customers add 17.5% VAT to TOTAL order amount. Minimum order £10. Bona Fide account orders accepted from Government, Schools, Universities and Local Authorities - minimum account order £100. Cheques over £100 are subject to 7 working days clearance. Carriage charges (A)=£3.50, (B)=£6.50, (C)=£10, (D)=£15.00, (E)=£18.00, (F)=CALL. Allow approx 3 days for shipping - faster CALL. All goods subject to our Standard Conditions of Sale which can be viewed at our website and unless stated guarantee for 90 days. All guarantees on a return to base basis. All rights reserved to change prices / specifications without prior notice. Orders subject to stock. Discounts for volume. Top CASH prices paid for surplus goods. All trademarks, tradenames etc acknowledged. © Display Electronics 2002. E & O.E.



IC's - TRANSISTORS - DIODES

OBSELETE - SHORT SUPPLY - BULK
10,000,000 items EX STOCK
For MAJOR SAVINGS
CALL or see web site www.distel.co.uk
COMPUTER MONITOR SPECIALS

Legacy products
High spec genuine multysync.
CGA, EGA, VGA, SVGA

Mitsubishi FA3415ETKL 14" SVGA Multysync colour monitor with fine 0.28 dot pitch tube and resolution of 1024 x 768. A variety of inputs allows connection to a host of computers including IBM PC's in CGA, EGA, VGA & SVGA modes, BBC, COMMODORE (including Amiga 1200), ARCHIMEDES and APPLE. Many features: Etched faceplate, text switching and LOW RADIATION MPR specification. Fully guaranteed, in EXCELLENT little used condition. Tilt & Swivel Base £4.75

VGA cable for IBM PC included. **Only £129 (E)** Order as CG73

External cables for other types of computers available - CALL

Generic LOW COST SVGA Monitors
We choose the make, which includes Compaq, Mitsubishi, IBM, etc. Supplied ready to run with all cables, Standard RTB 90 day guarantee.

14" £59.00 order TD84
15" £69.00 order TG21
17" £79.00 order TJ66

Supplied in good used condition. Shipping code (D)

VIDEO MONITORS

PHILIPS HCS35 (same style as CM8833) attractively styled 14" colour monitor with both RGB and standard composite 15.625 KHz video inputs via SCART socket and separate phono jacks. Integral audio power amp and speaker for all audio visual uses. Will connect direct to Amiga and Atari BBC computers. Ideal for all video monitoring / security applications with direct connection to most colour cameras. High quality with many features such as front concealed flap controls, VCR correction button etc. Good used condition - fully tested - guaranteed Dimensions: W14" x H12 1/2" x 15 1/2" D. **Only £99.00 (D)**

PHILIPS HCS31 Ultra compact 9" colour video monitor with standard composite 15.625 KHz video input via SCART socket. Ideal for all monitoring / security applications. High quality, ex-equipment fully tested & guaranteed (possible minor screen burns). In attractive square black plastic case measuring W10" x H10" x 13 1/2" D. 240 V AC mains powered. **Only £79.00 (D)**

INDUSTRIAL COMPUTERS

Tiny shoebox sized industrial 40 Mhz 386 PC system measuring only 110mm 266 X 88 mm X 272 d. Ideal for dedicated control applications running DOS, Linux or even Windows 1 Steel case contains 85 to 265 V AC 50 / 60 Hz 70 Watt PSU, a 3 slot ISA passive backplane and a Rocky 318 (PC104) standard, single board computer with 8 MByte NON VOLATILE solid state 'Disk On Chip' RAMDISK. System comprises: Rocky 318 (PC104) SBC ISA card with 40MHz ALI 386SX CPU, 72 pin SIMM slot with 16 MByte SIMM, AMI BIOS, battery backed up real time clock, 2 x 9 pin D 16550 serial ports, EPP/ECP printer port, mini DIN keyboard connector, floppy port, IDE port for hard drives up to 528 MByte capacity, watchdog timer and PC/104 bus socket. The 8 MByte solid state 'disk on a chip' has its own BIOS, and can be fished, formatted & booted. Supplied BRAND NEW fully tested and guaranteed. For full data see featured item on website. Order as QG36

100's of applications inc: firewalls, routers, robotics etc **Only £99.00 (D)**

19" RACK CABINETS

Europe's Largest Stocks of
quality rack cabinets,
enclosures and accessories.
Over 1000 Racks from stock

Save £££'s
This month's special
33 / 42 / 47 U - High Quality
All steel Rack Cabinets

BIG £ SAVER

Made by Eurocraft Enclosures Ltd to the highest possible spec, rack features all steel construction with removable side, front and back doors. Front and back doors are hinged for easy access and all lockable with five secure 5 lever barrel locks. The front door is constructed of double welded steel with a 'designer style' smoked acrylic front panel to enable status indicators to be seen through the panel, yet remain unobtrusive. Internally the rack features fully slotted reinforced vertical fixing members to take the heaviest of 19" rack equipment. The two movable vertical fixing struts (extras available) are pre-punched for standard 'cage nuts'. A mains distribution panel internally mounted to the bottom rear, provides 8 x IEC 3 pin Euro sockets and 1 x 13 amp 3 pin switched utility socket. Overall ventilation is provided by fully louvered back door and double skinned top section with top and side louvers. The top panel may be removed for fitting of integral fans to the sub plate etc. Other features include: fitted castors and floor levelers, prepunched utility panel at lower rear for cable / connector access etc. Supplied in excellent, slightly used condition with keys. Colour Royal blue, some grey available - CALL - Can be supplied in many other configurations.



33U Order as BC44 External dimensions mm=1625H x 635D x 603 W. (64" H x 25" D x 23 3/4" W) Only £245	42U Order as DT20 External dimensions mm=2019H x 635D x 603 W. (79.5" H x 25" D x 23 3/4" W) Only £345	47U Order as RV36 External dimensions mm=2235H x 635D x 603 W. (88" H x 25" D x 23 3/4" W) Only £410
---	---	---

Call for shipping quotation

COLOUR CCD CAMERAS

Undoubtedly a miracle of modern technology & our special buying power! A quality product featuring a fully cased COLOUR CCD camera at a give away price! Unit features full auto light sensing for use in low light & high light applications. A 10 mm fixed focus wide angle lens gives excellent focus and resolution from close up to long range. The composite video output will connect to any composite monitor or TV (via SCART socket) and most video recorders. Unit runs from 12V DC so ideal for security & portable applications where mains power not available. With dimensions 68 mm wide x 117 deep x 43 high. Supplied BRAND NEW & fully guaranteed with user data, 100's of applications including Security, Home Video, Web TV, Web Cam's etc.

Order as LK33 **ONLY £79.00 or 2 for £149.00 (B)**

SOFTWARE SPECIALS

NT4 WorkStation, complete with service pack 3 and licence - OEM packaged. **ONLY £89.00 (B)**
ENCARTA 95 - CDROM. Not the latest - but at this price! £7.95
DOS 5.0 on 3 1/2" disks with concise books c/w QBasic. £14.95
Windows for Workgroups 3.11+ Dos 6.22 on 3.5" disks £55.00
Windows 95 CDROM Only - No Licence - £19.95
Wordperfect 6 for DOS supplied on 3 1/2" disks with manual £24.95
shipping charges for software is code B

SOLID STATE LASERS

Visible red, 670nm laser diode assembly. Unit runs from 5 V DC at approx 60 mA. Originally made for continuous use in industrial barcode scanners, the laser is mounted in a removable solid aluminium block, which functions as a heatsink and rigid optical mount. Dims of block are 50 w x 60 d x 15 h mm. Integral features include over temperature shutdown, current control, laser OK output, and gated TTL ON / OFF. Many uses for experimental optics, comms & lightshows etc. Supplied complete with data sheet.

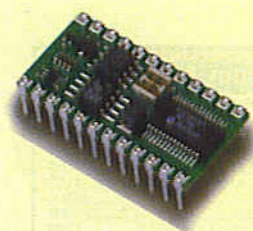
Order as TD91 **ONLY £24.95 (A)**

DC POWER SUPPLIES

Virtually every type of power supply you can imagine. Over 10,000 Power Supplies Ex Stock - Call or see our web site.

RELAYS - 200,000 FROM STOCK

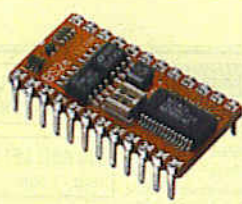
Save ££££'s by choosing your next relay from our Massive Stocks covering types such as Military, Octal, Cradle, Hermetically Sealed, Continental, Contactors, Time Delay, Reed, Mercury Wetted, Solid State, Printed Circuit Mounting etc. CALL or see our web site www.distel.co.uk for more information. Many obsolete types from stock. Save ££££'s



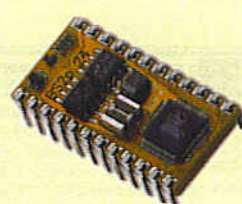
BS2-IC



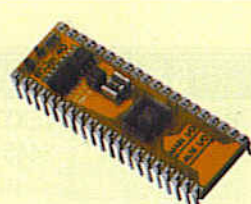
BS2-SX



BS2E-IC

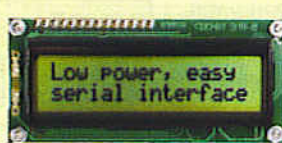
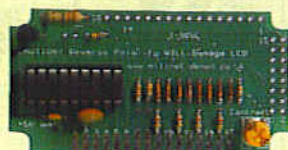


BS2P/24



BS2P/40

Parallax BASIC Stamps - still the easy way to get your project up and running!



Serial Alphanumeric and Graphic Displays, Mini-Terminals and Bezel kits

www.milinst.com



Animated Head



3-Axis Machine



Six-Legged Walkers

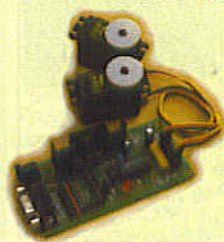


Robotic Arms

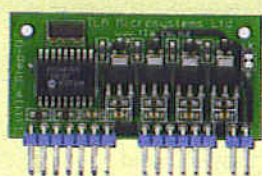


Bipeds

Robotic models for both the beginner and the advanced hobbyist



Servo Drivers



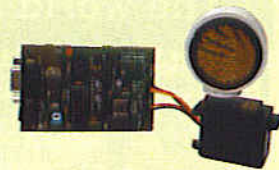
Motor Drivers



On-Screen Displays



DMX Protocol



U/Sound Ranging

Animatronics and Specialist Interface-Control Modules



Quadvox MP3 & Speech Systems



SensoryInc Voice Recognition



Parallax Ubicom Tool Kits



Tech-Tools PIC & Rom Emulators



BASICMicro PIC BASIC Compilers

Development Tools

Milford Instruments Limited Tel 01977 683665, Fax 01977 681465, sales@milinst.com



Quasar Electronics Limited
 PO Box 6935, Bishops Cleeve, Nottingham
 CM23 4WP
 Tel: 0870 246 1826
 Fax: 0870 460 1045
 E-mail: sales@quasarelectronics.com

Add £2.95 P&P to all UK orders or 1st Class Recorded - £4.95,
 Next Day (insured £250) - £7.95, Europe - £6.95, Rest of World - £9.95
 (order online for reduced price UK Postage).
 We accept all major credit/debit cards. Make cheques/PO's payable to
 Quasar Electronics. Prices include 17.5% VAT.
 Call now for our FREE CATALOGUE with details of over 300 kits,
 projects, modules and publications. Discounts for bulk quantities.
 MAIL ORDER ONLY.



QUASAR
 electronics
 Helping you make the right connections!

0871

CREDIT CARD SALES

717 7168

Motor Drivers/Controllers

Here are just a few of our controller and driver modules for AC, DC, unipolar/bipolar stepper motors and servo motors. See website for full details.

NEW! Bidirectional DC Motor Controller
 Controls the speed of most common DC motors (rated up to 32VDC/5A) in both the forward and reverse direction. The range of control is from fully OFF to fully ON in both directions. The direction and speed are controlled using a single potentiometer. Screw terminal block for connections.
 Kit Order Code: 3166KT - £14.95
 Assembled Order Code: AS3166 - £24.95



DC Motor Speed Controller (5A/100V)
 Control the speed of almost any common DC motor rated up to 100V/5A. Pulse width modulation output for maximum motor torque at all speeds. Supply: 5-15VDC. Box supplied. Dimensions (mm): 60Wx100Lx60H.
 Kit Order Code: 3067KT - £12.95
 Assembled Order Code: AS3067 - £19.95



NEW! PC / Standalone Unipolar Stepper Motor Driver
 Drives any 5, 6 or 8-lead unipolar stepper motor rated up to 6 Amps max. Provides speed and direction control. Operates in stand-alone or PC-controlled mode. Up to six 3179 driver boards can be connected to a single parallel port. Supply: 9V DC. PCB: 80x50mm.
 Kit Order Code: 3179KT - £9.95
 Assembled Order Code: AS3179 - £16.95
 Assembled Order Code: AS3113 - £24.95



NEW! Bi-Polar Stepper Motor Driver
 Drive any bi-polar stepper motor using externally supplied 5V levels for stepping and direction control. These usually come from software running on a computer. Supply: 8-30V DC. PCB: 75x85mm.
 Kit Order Code: 3158KT - £12.95
 Assembled Order Code: AS3158 - £26.95



Most items are available in kit form (KT suffix) or assembled and ready for use (AS prefix).

Controllers & Loggers

Here are just a few of the controller and data acquisition and control units we have. See website for full details. Suitable PSU for all units: Order Code PSU445 £8.95

Rolling Code 4-Channel UHF Remote
 State-of-the-Art. High security. 4 channels. Momentary or latching relay output. Range up to 40m. Up to 15 Tx's can be learnt by one Rx (kit includes one Tx but more available separately). 4 indicator LED's. Rx: PCB 77x85mm, 12VDC/6mA (standby). Two and Ten channel versions also available.
 Kit Order Code: 3180KT - £41.95
 Assembled Order Code: AS3180 - £49.95



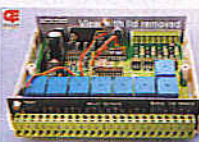
Computer Temperature Data Logger
 4-channel temperature logger for serial port. °C or °F. Continuously logs up to 4 separate sensors located 200m+ from board. Wide range of free software applications for storing/using data. PCB just 38x38mm. Powered by PC. Includes one DS1820 sensor and four header cables.
 Kit Order Code: 3145KT - £19.95
 Assembled Order Code: AS3145 - £26.95
 Additional DS1820 Sensors - £3.95 each



NEW! DTMF Telephone Relay Switcher
 Call your phone number using a DTMF phone from anywhere in the world and remotely turn on/off any of the 4 relays as desired. User settable Security Password, Anti-Tamper, Rings to Answer, Auto Hang-up and Lockout. Includes plastic case. Not BT approved. 130x110x30mm. Power: 12VDC.
 Kit Order Code: 3140KT - £39.95
 Assembled Order Code: AS3140 - £49.95



Serial Isolated I/O Module
 Computer controlled 8-channel relay board. 5A mains rated relay outputs. 4 isolated digital inputs. Useful in a variety of control and sensing applications. Controlled via serial port for programming (using our new Windows interface, terminal emulator or batch files). Includes plastic case 130x100x30mm. Power Supply: 12VDC/500mA.
 Kit Order Code: 3108KT - £54.95
 Assembled Order Code: AS3108 - £64.95



Infrared RC Relay Board
 Individually control 12 on-board relays with included infrared remote control unit. Toggle or momentary. 15m+ range. 112x122mm. Supply: 12VDC/0.5A
 Kit Order Code: 3142KT - £41.95
 Assembled Order Code: AS3142 - £51.95



PIC & ATMEL Programmers

We have a wide range of low cost PIC and ATMEL Programmers. Complete range and documentation available from our web site.

Programmer Accessories:
 40-pin Wide ZIF socket (ZIF40W) £15.00
 18V DC Power supply (PSU010) £19.95
 Leads: Parallel (LDC136) £4.95 / Serial (LDC441) £4.95 / USB (LDC644) £2.95

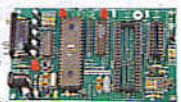
NEW! USB 'All-Flash' PIC Programmer
 USB PIC programmer for all 'Flash' devices. No external power supply making it truly portable. Supplied with box and Windows Software. ZIF Socket and USB Plug A-B lead not incl.
 Kit Order Code: 3128KT - £34.95
 Assembled Order Code: AS3128 - £44.95



Enhanced "PICALL" ISP PIC Programmer
 Will program virtually ALL 8 to 40 pin PICs plus a range of ATMEL AVR, SCENIX SX and EEPROM 24C devices. Also supports In-System Programming (ISP) for PIC and ATMEL AVRs. Free software. Blank chip auto detect for super fast bulk programming. Requires a 40-pin wide ZIF socket (not included). Available in assembled format only.
 Assembled Order Code: AS3144 - £49.95



ATMEL 89xxx Programmer
 Uses serial port and any standard terminal comms program. 4 LED's display the status. ZIF sockets not included. Supply: 16-18VDC.
 Kit Order Code: 3123KT - £29.95
 Assembled Order Code: AS3123 - £34.95



NEW! USB & Serial Port PIC Programmer
 USB/Serial connection. Header cable for ICSP. Free Windows software. See website for PICs supported. ZIF Socket/USB Plug A-B lead extra. Supply: 18VDC.
 Kit Order Code: 3149KT - £34.95
 Assembled Order Code: AS3149 - £49.95



www.quasarelectronics.com

Secure Online Ordering Facilities • Full Product Listing, Descriptions & Photos • Kit Documentation & Software Downloads



The internet site
for all professionals and hobbyists
actively engaged
in electronics and computer technology

ELEKTOR ELECTRONICS
44 48 51 UK

Home Order Mailus

MAGAZINE INDEX
FREE DOWNLOADS
SUBSCRIBE
BOOKS
CD-ROMS
PCBS & SOFTWARE
GADGETS
HYPERLINKS
ADVERTISING INFO
CORRECTIONS/UPDATES
MINI-PROJECTS ONLINE

The publication for all professionals and hobbyists actively engaged in electronics and computer technology

- + New: 18-Month Subscription 17 issues and a free MP3 player
- + Precision Measurement Central / Micro Webserver
- + Test your knowledge of electronics, play Andy's Quest!
- + New CD-ROM: Robotics
- + Flash Microcontroller Starter Kit, stuffed & tested PCB only £ 69.00
- + Gameboy Digital Sampling Oscilloscope back in stock!
- + Trial Subscription (3 issues) for just £ 7.50

elektor electronics
Our friend the BATTERY
CHARGING by type on USB
VEHICLE BATTERY JOGGER

www.elektor-electronics.co.uk

FRUSTRATED!

Looking for ICs TRANSISTORs?
A phone call to us could get a result. We offer an extensive range and with a world-wide database at our fingertips, we are able to source even more. We specialise in devices with the following prefix (to name but a few).



2N 2SA 2SB 2SC 2SD 2P 2SJ 2SK 3N 3SK 4N 6N 17 40 AD
ADC AN AM AY BA BC BD BDT BDV BDW BDX BF
BFR BFS BFT BFX BFY BLY BLX BS BR BRX BRY BS
BSS BSV BSW BSX BT BTA BTB BRW BU BUK BUT BUY
BUW BUX BUY BUZ CA CD CX CXA DAC DG DM DS
DTA DTC GL GM HA HCF HD HEF ICL ICM IRF J KA
KIAL LA LB LC LD LF LM M M5M MA MAB MAX MB
MC MDAJ MJE MJF MM MN MPS MPSA MP5H MPSU
MRF NJM NE OM OP PA PAL PIC PN RC S SAA SAB
SAD SAJ SAS SDA SG SI SL SN SO STA STK STR STRD
STRM STRS SV1 T TA TAA TAG TBA TC TCA TDA TDB
TEA TIC TIP TIPL TEA TL TLC TMP TMS TPU U UA
UAA UC UDN UM UPA UPC UPD VN X XR Z ZN
ZTS + many others

We can also offer equivalents (at customers' risk)
We also stock a full range of other electronic components
Mail, phone, Fax Credit Card orders and callers welcome



Cricklewood Electronics Ltd

40-42 Cricklewood Broadway London NW2 3ET
Tel: 020 8452 0161 Fax: 020 8208 1441



Micro Web Server for Internet and Intranet

Our incredibly popular MSC1210 microcontroller board (also known as 'Precision Measurement Central') now provides network and Internet connectivity, allowing the processor to publish its own data pages onto the web. The article describes a temperature logger allowing the user to enter, via the Internet, temperature limits and an email alarm address. The Micro Web Server can also switch network ports from an Internet-connected PC, literally anywhere on the globe.

Now available:

- **MSC1210 board** (assembled and tested) £ 69.00 (US\$ 112.50)
- **Network extension** (assembled and tested) £ 41.95 (US\$ 73.95)
- **Combined package** (incl. all related Elektor Electronics articles on diskette) £ 103.50 (US\$ 184.95)



All software for the project is available free of charge from our website!

Order now using the Order Form in the Readers Services section in this issue.

Elektor Electronics (Publishing)
P.O. Box 190
Tunbridge Wells TN5 7WY England
Telephone +44 (0) 1580 200 657
Fax +44 (0) 1580 200 616

See also
www.elektor-electronics.co.uk



Heathkit TC-2P Tube Checker

Jan Buiting

I came across this gem in an unexpected place, namely a flea market for vintage motorcycle parts! Standing between heaps of pistons, wheels and engine parts, the owner claimed it was "some kind of electrical instrument" capable of testing "well, a lot of things I guess". When the small case was opened I immediately recognised a Heathkit tube tester that had definitely seen better days. Once I had intimated to the owner that I had no idea what the instrument was actually supposed to do, plus that it was ramshackle, grimy, grossly incomplete and so on, I paid 10 pounds, closed the lid and walked away in exuberance.

Rising damp

My TC-2P (build: approx. 1962) was badly affected by moisture, probably as a result of having been stored in a damp cellar for years. The control panel had large blots of what looked like calcium deposits. Fortunately, these were easy to remove by

first loosening them up with a soft toothbrush and then rubbing with just a touch of car wax. I purposely left one area untouched. All knobs and the moving coil meter were removed and the control panel lacquer soon appeared in all its former glory. On the inside, however, more serious problems were seen. The mains cord (110 VAC) had gone as crusty as cornflakes and was now a real hazard. The same for the tiny power on/off slide switch which was totally blocked by white stuff. All easy to clean and repair, however.

The most troublesome part was the moving-coil meter, of which the needle appeared to be stuck. On closer inspection I discovered that the meter's anchor/coil assembly (a wonder of precision assembly), had been eaten way by corrosion hence was beyond repair. An alternative was found in the use of another vintage 1-mA meter from which I removed the scale plate, replacing it with the still intact Heathkit plate with its delightfully simple **BAD - ? - GOOD** print. Having drilled four holes in the control panel I mounted the 'new' meter. It worked a treat.

The wheel-operated tube selection chart in Heathkit tube testers

is a notorious item because it is easily damaged by all too frequent as well as infrequent use! In my case, the part of the chart that had been horizontal for years had dried up and gone so rigid it was in danger of rupturing when I attempted to turn the wheel. The chart was disassembled; rolled off and on again; creases and a small tear were repaired. Today it can be turned again but not to the extremes. This problem was solved by downloading the chart from the Internet and referring to printed pages to find the various settings for a specific tube I want to test. This also allows me to use updates of the chart for later (post-1965) tube types.

Practical use

In the mid 1970s, a friend and fellow radio amateur occasionally allowed me to use his mighty TT-1 tube checker to see which tubes in my collection were still any good! As it turned out, precious few!

Working with a tube tester soon becomes second nature. Using the rolling chart, finding the pin-out codes and moving the controls and levers to match the tube you want to test needs to be done with care, else you get very strange

results when the TEST switch is finally pulled down! Most people will at least smile when I demonstrate the TC-2 testing the 'quality' of a couple of tubes plugged into the various sockets and then watching the meter indication — youngsters are bewildered if you test a large tube like the 807.

The TC-2 Assembly and Operation Manual is a fine example of no-frills US-style instructions on kit assembly at home. I have no idea how many TC-2's were sold but the occasional look at Ebay USA tells me a genuine TC-2P is a rare find at the price I paid.

Anyone have a set of spare plastic caps for the lever switches?

(045006-1)

Web pointers

www.jogis-roehrenbude.de/Roehren-Geschichtliches/Roe-Pruefer/Heathkit-TC-2/Heath-TC-2.htm

<http://bama.sbc.edu/heath.htm>

Retronics is a monthly column covering vintage electronics including legendary Elektor designs. Contributions, suggestions and requests are welcomed; please send an email to editor@elektor-electronics.co.uk, subject: Retronics EE.

Continuous Flow Soldering

From reader correspondence we know that lots of you are still hesitant about soldering SMDs (surface-mount devices), particularly integrated circuits.

We won't say it's a piece of cake, but maintain that there's no reason to start panicking about SMDs, as accurate soldering does the trick. Using the right tools and some basic skills, soldering SMD ICs with 'gullwing' or 'J' leads should be within your reach.

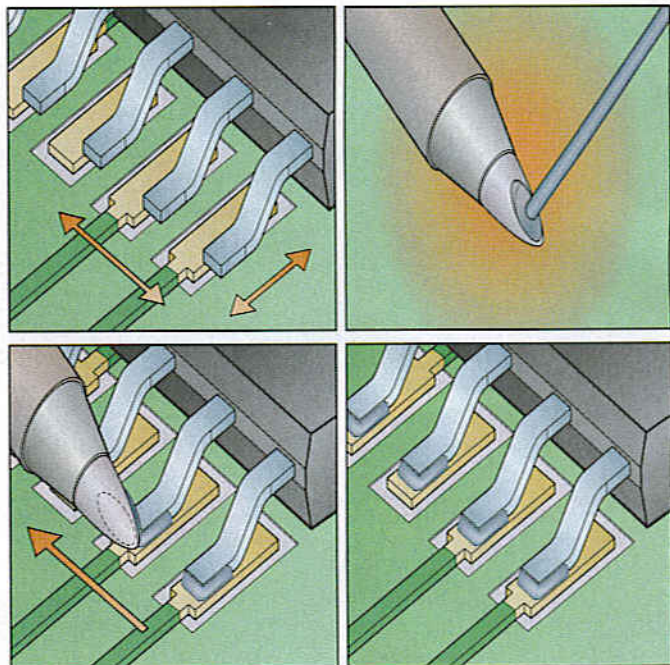
What's needed

In any case, make sure sufficient solder flux (flow agent) is available, so that the liquefied solder will easily flow towards the desired solder pad instead of to creep up adjacent pins or fill unwanted holes! Small pieces of cloth and flux cleaner are also recommended to mop up solder spills. The actual soldering is best done using an iron with a so-called 'wave' tip. This tip has a hollow part capable of holding an amount of liquid solder. Finally, we would recommend the

use of an illuminated desktop magnifying lamp.

What to do

1. Apply flux to the copper pads in the corners of the IC footprint.
2. Put the IC on the footprint, carefully aligning the pins at diagonal corners with the solder pads.
3. Place the wave tip on the junction between the IC pin and the pad in one of the corners. If necessary add some solder flux.
4. Remove the tip. Wait for the solder to solidify. Next, solder the opposite solder pin.
5. Put some solder in the wave tip to create a 'bead'.
6. Hold the solder tip such that the bead is in contact with the upper surface of the IC pins. Slowly, in one smooth movement, move the solder tip



across the contact row, such that a uniform amount of solder is applied to each pin.

7. Repeat step 5 and 6 for the other side(s) of the IC.
8. If necessary clean and inspect the result.

The above method may also be applied to ICs with 'J' leads.

Background

For clarity's sake: the advantage of the proposed method is that you do not have to add solder to the tip for each IC pin. The dispensing of solder from the 'bath' in the solder tip is based on a principle from physics called 'capillary action'. Because every solder pad/pin surface ratio is identical, each contact will attract an identical amount of solder, the excess amount being retracted by the solder tip. In addition, solder is attracted by a heat source, in this

case, the solder tip.

The above process only works if sufficient flux is present on the solder pads. After all, solder does nothing except melt during heating. For best results, however, it should flow and bond, too.

Copper, tin and lead are 'porous' metals that protect themselves from corrosion by forming a thin oxide layer. Agents like solder flux have an etching effect that removes oxide layers.

It is recommended to use solder fluxes based on resin, as they are the easiest to remove using (inexpensive) flux cleaners based on alcohol.

Solder iron tips for continuous flow soldering are produced by, among others, JBC, Xytronic, Metcal, Weller and Pace.

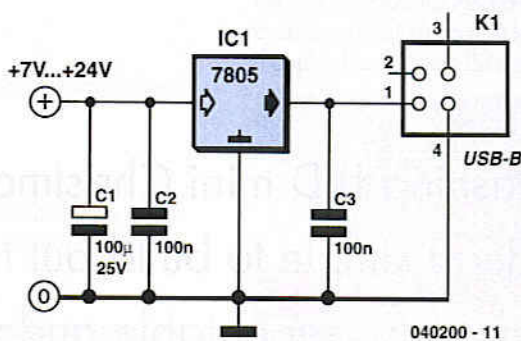
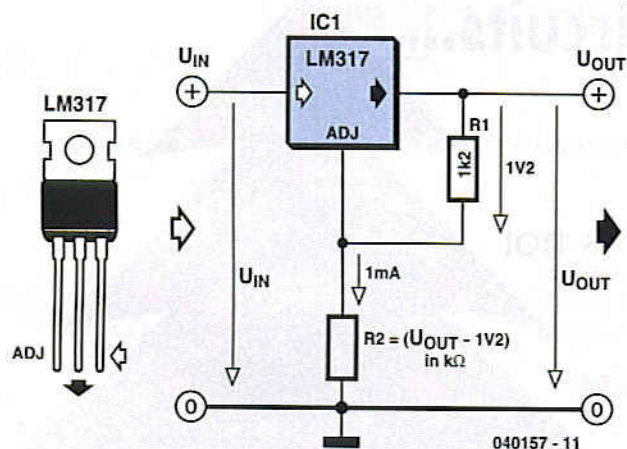
(040323-1)

Illustrations:

courtesy Circuit Technology Center.

The internet site for all professionals and hobbyists actively engaged in electronics and computer technology

www.elektor-electronics.co.uk



Voltage regulator calculation

Victor Himpe

Before you can design an adjustable voltage regulator into your circuit, or do a redesign, you need to calculate the values for two resistors. This is not difficult in itself, but actually finding the right resistors may pose problems. Fortunately a trick is available to make it all much easier. With most adjustable voltage regulators like the LM317 and LM337, the input voltage has to be 1.2 to 1.25 volts above the desired output voltage. This is because the voltage at the ADJ (adjust) input is internally compared to a reference voltage with that value.

The reference voltage always exists across R1. Together with preset R2 it determines the current flowing through the ADJ pin, as follows:

$$V_{out} = V_{REF} [1 + (R2/R1)] + I_{ADJ} R2$$

If for the sake of convenience we ignore I_{ADJ} , enter the reference voltage (1.2 V) and for R1 select a value of one thousand times that voltage (i.e., 1.2 kΩ) then the equation is simplified to:

$$R2 = 1000 (V_{out} - 1.2)$$

In practice, simply determine the voltage drop across R2 (output voltage minus reference voltage) and you get your resistance value directly in kilo-ohms. For example, for 5 V R2 becomes $5 - 1.2 = 3.8 \text{ k}\Omega$ which is easiest made by connecting $3.3 \text{ k}\Omega$ and 470Ω resistors in series.

In the case of relatively low voltages, smaller resistor values are recommended. This is because sufficient current needs to flow to enable the voltage regulator to do its job. A simple solution is to choose, say, 120Ω for R1. R2 then becomes:

$$R2 = 100 (V_{out} - 1.2)$$

(040157-1)

Power Supply for USB Devices

Roman Mittermayr

More and more equipment is sold that runs off internal rechargeable batteries. Although a matching charger is usually supplied in the package, there are also devices that can only be charged via a USB port. That is not surprising in the case of USB MP3 players, which have to 'dock' in the PC anyway for some time for the purpose of file transferring. Still, the same 'feature' can be a serious disadvantage, for example, on 'computer-free' holidays.

Sometimes it makes you wonder how simple the solutions to such problems actually turn out to be. After all, if it's just a supply voltage we're after, then a USB port is easily imitated.

The circuit shown here is nothing but a 7805 in a dead standard configuration. The innovation, if any, might be USB connector to which the MP3 player can be connected.

The 7805 comes in different flavours — most devices can supply 1 A, but there are also more advanced variants that achieve up to 1.5 A. Because a USB device is never allowed to draw more than 500 mA from the port

it is plugged into, the circuit shown here should be able to supply charging and/or operating current to up to two (or three) USB devices at the same time.

The input voltage may be a direct voltage of anything between 7 and 24 volts, so for use at home or abroad a simple wall cube with DC output is sufficient. Another useful bit to make yourself might be a cable with an inline fuse and a cigarette lighter plug so you can tap into a vehicle supply (note that this may be up to 14.4 V with a running engine).

At an output current of 1 A and an input voltage of just 7 V, the 7805 already dissipates 2 watts. Assuming you're using the most commonly seen version of the 7805, the TO-220 case with its metal tab will have a thermal resistance of about $50 \text{ }^\circ\text{C/W}$. Also assuming that the ambient temperature is $20 \text{ }^\circ\text{C}$, the 7805's internal (chip) temperature will be around $120 \text{ }^\circ\text{C}$. In most cases, $150 \text{ }^\circ\text{C}$ is the specified maximum, so ample cooling must be provided especially in a car and with relatively high input voltages.

(040200-1)

LED CHRISTMAS TREE

Plus additional seasonal circuits...

This flashing LED mini Christmas tree is not only dead simple to build but the design is also repeatable and very reliable in operation. In fact an ideal last-minute project to brighten up the house or office in the run-up to Christmas.



It can sometimes be satisfying for the electronics enthusiast to build something that adds a personal touch to a special occasion. The mini Christmas tree design described here fits the bill and should strike a suitably festive note. This particular flashing Christmas decoration cannot be purchased ready made but needs instead to be assembled. The circuit design is just about as bullet-proof as is possible using a PCB, battery and just a few components. It is aimed at the less experienced constructor.

Those of you who would like to try their hand at alternative seasonal projects may be interested in some additional circuits that have been made available for free download this month from the *Elektor Electronics* website at www.elektor-electronics.co.uk (see editor's footnote at the end of this article).

So simple

The circuit for the Christmas tree project is ideal for the complete electronics

novice. The same circuit was used for various flashing ornaments that were built from kits of parts at our *Elektor Electronics* exhibition stand recently. Even five-year olds were seen successfully assembling and soldering the parts together to produce working kits in less than 30 minutes!

The circuit in **Figure 1** is about as simple as it gets. A single IC, two resistors, one capacitor and eleven LEDs comprise the total circuit. LEDs were used here because they consume less power than filament lamps and are also far more reliable.

The circuit will run for 48 hours on end from a fresh 9-V alkaline battery, so a single battery should last you through the whole Christmas week if it is only used in the evening.

The IC is a CMOS 4060 oscillator/divider with ten outputs. The oscillator operating frequency depends on the values of C1, R1 and R2 and should be approximately 2 Hz with the component values given.

The outputs Q3 to Q9 and Q11 to Q13 switch at the oscillator frequency.

The LEDs are wired so that it looks like they are switching in a random manner but if you study the LEDs a bit more closely you will notice that there are always three LEDs lit at any one time.

Soldering

The PCB layout shown in **Figure 2** is already cut into a Christmas tree shape. Component placement and soldering should not present too much of a problem so long as you study the layout closely. It is important to fit the LEDs the correct way round (remember, the shorter or cut lead is the cathode). An IC socket is used to fit IC1 to the PCB. Ensure that the socket is the correct way round before it is soldered to the PCB and that the IC is correctly orientated before it is pushed into the socket (a 'pip' on the package always indicates pin 1).

Once all the components have been fitted solder the battery clip leads to the PCB. The red lead is soldered to the positive (+) pad and the black lead to

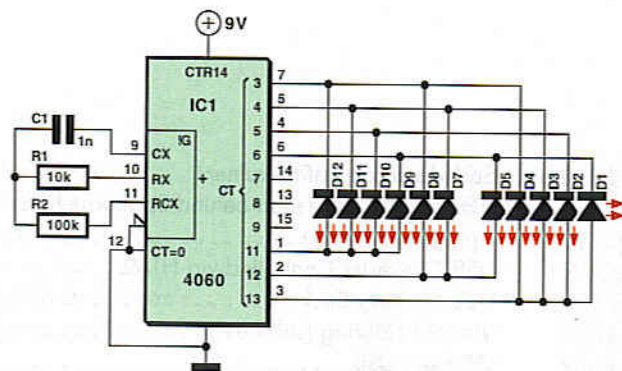


Figure 1. The LED Christmas tree circuit really has been tried and tested a thousand times!

the negative (-) pad. The battery clip contacts are pushed through the two holes at the foot of the tree so that the battery can be fitted to the other side and acts as a stand for the tree. If

everything has gone to plan the LEDs should start to twinkle once the battery is connected.

Merry Christmas!

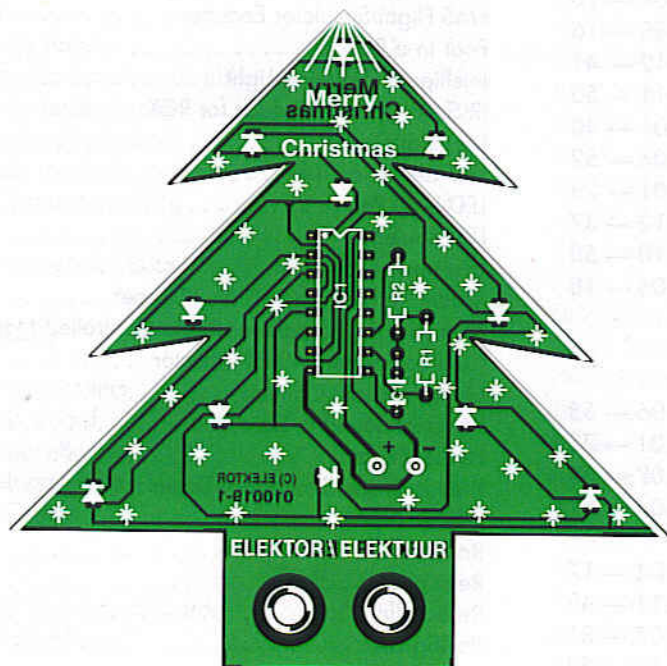


Figure 2. The mini Christmas tree component placement.

COMPONENTS LIST

Resistors:

R1 = 10k_ (black-brown-orange)
R2 = 100k_ (black-brown-yellow)

Capacitor:

C1 = 1nF

Semiconductors:

D1-D12 = LED, low current (all colours possible except white)
IC1 = 4060

Miscellaneous:

16-way DIL socket for IC1
9-V (PP3/6F22) battery with clip

Kit of PCB & parts, order code
010019-91

Free Christmas circuits from www.elektor-electronics.co.uk

We are truly getting the festive spirit at www.elektor-electronics.co.uk where you will find five Christmas circuit designs that are available for free downloading. Each circuit includes a PCB layout and, if applicable, software listings:



- Flashing Christmas Star
(download # 990074-12)



- An Electronic Bell
(download # 000116-12)

- Fairy Lights
(download # 014056-12)



- A Star for Christmas
(download # 020040-12)



- LED Christmas Decoration
(download # 030157-12)

Notation:

Article title [month page number]

Example:06 — 35 = June 2004, page 35

Cumulative Indexes 1996 - 2004 also available from
www.elektor-electronics.co.uk (Free Downloads)

Soundcard as Test Instrument	10 — 40
Tomi Engdahl, the man behind Epanorama.net	07 — 120
Up, up and away	05 — 39
USB Converter Controlled via HTML	07 — 65
USB Memory Stick	10 — 74
Virtual Soldering (LabView)	10 — 28
Wireless USB	09 — 08
Working with ActiveX	07 — 112

Audio / Video / Photography

Audio Power Amps on the Internet	04 — 68
Canon EOS Cameras go Wireless	07 — 102
ClariTy 2 x 300 W Class-T Amplifier (1)	06 — 24
ClariTy 2 x 300 W Class-T Amplifier (2)	09 — 70
ClariTy 2 x 300 W Class-T Amplifier (3)	10 — 50
Codec Complete	07 — 67
High Voltage Amplifier	12 — 18
High-End Preamp (1)	04 — 10
High-End Preamp (2)	05 — 16
LM4096 Boomer Audio Power Amp	12 — 41
Noise Suppression Filters	11 — 50
OTL Headphone Amplifier	01 — 40
Pandora's Sound & Music Box	04 — 52
RIAA Preamplifier with FETs	01 — 28
Simple Audio Peak Detector	12 — 37
Slave Flash for Digital Cameras	10 — 58
That's Class... ..	06 — 18

Computers / Software / Internet

Analog University	06 — 55
Analogue Filter Design	01 — 72
Digital Isolation up to 100 MBit/s	07 — 58
Dream Team (DRM)	04 — 32
Elektor Electronics Year Volume CD-ROMs	
on Hard Disk	04 — 17
Equations, equations	11 — 42
Home Network for ADSL	07 — 81
I ² C / USB Interface	12 — 52
I ² C Home Bus	12 — 60
IIR Tool	12 — 36
Line-2-mic for Notebook	10 — 76
Measurement and Control via the Internet	07 — 28
Micro Webserver	07 — 12
Monitor Life Xtender	07 — 40
Of Mice and Light	04 — 58
On-line Conversions	12 — 39
Parallel Port Switching Interface	02 — 38
Profilab-Expert	10 — 32
Programming with Word	06 — 69
Proteus VSM	09 — 56
Remote Control for your PC	02 — 64
SATA	12 — 47
Software? We'll do that ourselves! (stepper motors)	05 — 64

Hobby & Modelling

Bike Tail Light with Standlight	09 — 40
Bluish Flasher	07 — 74
Digital Motors	06 — 62
Discrete Robot	12 — 25
Ear Boggle	11 — 70
Electronic Switch for Modellers	07 — 116
Electronic Valentine Heart	02 — 56
Flickering Light II	12 — 35
FMS Flight Simulator Encoder	01 — 22
Four in a Row	10 — 66
Intelligent Flickering Light	07 — 38
IR Servo Motor Interface for RCX	07 — 88
Irregular Flasher	07 — 46
LED Christmas Tree	12 — 72
LED Light Pen	07 — 48
LED Roulette	01 — 52
Low-power LED Flash	04 — 60
Model Railway Short-Circuit Beeper	12 — 42
Multichannel Failsafe for Radio Controlled Models	03 — 36
One-Component Metal Detector	10 — 76
On-train Radio Camera	12 — 33
Personal Sound to Light Unit	06 — 58
Pocket Pong	06 — 50
Pseudo Track Occupancy Detector	07 — 50
R/C Analyser	07 — 96
Rail Router	06 — 64
Relaxation Machine	01 — 50
Resounding Truth	05 — 56
Rolling Dice	09 — 34
Smooth Operator	06 — 38
Steam Whistle	07 — 66
Unusual LED Blinker	12 — 30
UV Torch Light	07 — 62
Whistling Kettle	07 — 54

Home & Garden

Back to the Future	12 — 16
Burglar Alarm	01 — 46
Code Lock	03 — 52
Digital Alarm Clock	02 — 18
Doorbell Cascade	07 — 35
Home Network for ADSL	07 — 81
I ² C Home Bus	12 — 60
iAccess	02 — 42

IR Multi-Position Switch	12 — 40
IR Transmitter with HT12E	12 — 50
Multi-event Alarm Clock	01 — 32
On the Buses	12 — 12
Simple Darkness Activated Alarm	07 — 33
Wind Speed & Direction Meter	05 — 24
You have Mail!	07 — 57

Informative / Educational

Bogus Electronic Parts	09 — 66
Bring out your Dead (recycling electronics)	11 — 30
Continuous Flow Soldering	12 — 70
Design your Own IC (1)	05 — 10
Design your Own IC (2)	06 — 32
Foil Capacitor Polarity	02 — 35
Light Sensor Technology	07 — 82
Modern SMD Packages	12 — 48
Project c+	04 — 28
Project c+ Solved	05 — 36
Quizz'away: energy transfer	11 — 79
Quizz'away: high-gain transistor amplifier	10 — 79
Quizz'away: infinite resistor array	09 — 80
Quizz'away: wondrous light chain	12 — 78
Ready, Steady, Fatty (body fat meters)	11 — 74
Resistor-Equipped Transistors (RETs)	12 — 43
Wind Power	03 — 56
YEDA & Young Engineers for Britain	10 — 10

Microcontrollers

500 Links on Microcontrollers	03 — 64
64-K 80C552 Flash Board	01 — 60
Alternatives for Battery-Backed RAM	04 — 39
Blackfin DSP Development Kit	03 — 60
Bluetooth Remote Control	09 — 48
Code Lock	03 — 52
CoolRunner-II	02 — 52
Data Storage on Compact Flash Cards	03 — 46
Drop-in Microcontroller Board	04 — 62
DSPs at 1 GHz	04 — 68
FlexiPanel IR (IrDA)	05 — 40
Free PICProg	06 — 54
Goodbye '16, Welcome PIC18F (1)	10 — 62
Goodbye '16, Welcome PIC18F (2)	11 — 38
Hands-On CPLDs (1)	02 — 12
Hands-On CPLDs (2)	03 — 28
iAccess	02 — 42
IR Servo Motor Interface for RCX	07 — 88
Micro Webserver	07 — 12
Microcontroller Buyers Guide	09 — 16
Multi Programmer	06 — 10
Pandora's Sound & Music Box	04 — 52
PICEX18 and PICWin18	11 — 34
R/C Analyser	07 — 96
Reset IC with Selectable Voltages	07 — 39

Reset Sequencer	07 — 44
Swiss Army Knife	09 — 22
Trends in Microcontrollers	09 — 10
TV Commercials Killer	07 — 20
USB Embedded Host Controller	09 — 58
Xilinx JTAG Interface	07 — 79
Xport	07 — 80

Miscellaneous Electronics

30-mA LED Dimmer	11 — 76
Bistable Relay Driver	11 — 66
Blinker Indicator	07 — 62
Car Central-Locking System	12 — 26
CMOS Crystal Frequency Multiplier	07 — 34
Combi-gate Oscillator IC	05 — 60
Digital Motors	06 — 62
Dimmer with a MOSFET	12 — 24
Direction-Sensitive Light Barrier	12 — 22
DIY RF Inductors	02 — 24
Electrical Safety page	07 — 122
EMC page	07 — 124
First Steps (stepper motors)	05 — 30
Foil Capacitor Polarity	02 — 35
Gated Alarm	07 — 44
HV9901 (Application Note)	01 — 36
I ² C and SMBus	12 — 29
Luxury Car Interior Light	07 — 53
MAX6954 Display Driver	07 — 106
Motor Turn/Stall Detector	07 — 63
On/Off Button	12 — 31
One Component Oscillator for 1 to 10 MHz	07 — 58
Power Flip-Flop Using a Triac	07 — 59
Pressing Matters with Flatcable Connectors	05 — 62
Programmable-Gain Amplifier	07 — 55
Push Off / Push On	07 — 70
PWM Modulator	07 — 78
Relay Coil Energy Saver	07 — 72
Reset from Multiple Power Supplies	07 — 47
Self-tapping Screws	05 — 62
Simple Infrared Control Extender	07 — 56
Stepper Motor Generator	07 — 37
Temperature Switches in SOT packages	04 — 40
The Eternal 555	07 — 39
Thermoelements	11 — 56
Thrifty 2-Hz Clock	12 — 38
Through-hole Plating Double-sided PCBs	04 — 39
Touch-controlled Switch	02 — 36
Ultra Low-profile IC Socket	10 — 76
USB Cyberclocks	11 — 46
Very Low Power 32-kHz Oscillator	07 — 74
White LED Lamp	07 — 46
Zero Gain Mod for Non-Inverting Opamp	07 — 33

continued overleaf

Power Supplies & Batteries

100 V Regulators07 — 36
 3.3 V or 5 V Direct from the Mains07 — 41
 5 volts from the Mains12 — 28
 ABC of Rechargeable Batteries11 — 14
 Adjustable Zener Diode07 — 43
 AVR450 Battery Charger (Application Note)03 — 40
 Battery Charging on USB11 — 76
 Battery Polarity Protection07 — 110
 BTX12 — 27
 Buck/Boost Voltage Converter07 — 60
 Global Power Supply05 — 61
 Inductorless 3-to-5 Volts Converter07 — 76
 Lifespan of Li-Ion Batteries07 — 42
 Low-Drop Constant Current Source12 — 46
 Mains Failure Alarm07 — 70
 Master/Slave Switch07 — 75
 Negative Auxiliary Voltage12 — 21
 NiMH Charger for up to six Cells12 — 32
 Power Supply for USB Devices12 — 71
 Repairing the Damage Caused by Leaking Batteries04 — 38
 Save Energy07 — 50
 Sealed Lead-Acid Batteries11 — 26
 Simple 12-to-230 V Power Inverter02 — 30
 Simple NiCd Charger07 — 51
 SMPSU with a Relay07 — 36
 Solar-Powered High Efficiency Charger07 — 64
 Stable Filament Supply12 — 49
 Stable Zener Reference07 — 77
 Storage Battery Exerciser07 — 48
 Switchless NiCd/NiMH Charger07 — 35
 Triple Power Supply07 — 49
 Universal Mains Filter12 — 34
 Vehicle Battery Jogger11 — 20
 Voltage Monitor12 — 38
 Voltage Regulator Calculation12 — 71

Radio & TV

2 Transistors, 1 Crystal, that's it (DRM)04 — 41
 Automatic Preselector11 — 60
 Bluetooth Remote Control09 — 48
 Build Your Own DRM Receiver03 — 12
 Canon EOS Cameras go Wireless07 — 102
 DIY RF Inductors02 — 24
 Dream Team (DRM)04 — 32
 Linear RF Power Meter07 — 42
 RF Control Interface10 — 76
 Shortwave Monitor07 — 72
 Single-Chip VHF RF Preamp07 — 66
 SSB Add-On for AM Receivers07 — 56
 Ten Years After (DAB)06 — 44
 Tuned Radio Frequency (TRF) Receiver07 — 76
 TV Commercials Killer07 — 20

VHF-Low Explorer04 — 18
 Wavcatcher04 — 44

Test and Measurement

Acoustic Sensor07 — 79
 Air Quality Sensor10 — 46
 Airflow Monitor07 — 32
 Attitude Sensor12 — 20
 Climate Logger01 — 12
 Heathkit TC2-P Tube Checker (Retronics)12 — 69
 Linear RF Power Meter07 — 42
 Long-Interval Pulse Generator07 — 45
 Mains Voltage Monitor07 — 61
 Measurement and Control via the Internet07 — 28
 Meter Adapter with Symmetrical Input07 — 71
 Multifunction Frequency Meter03 — 20
 Poor Man's 1-GHz Probe10 — 36
 Precision Function Generator06 — 56
 R/C Analyser07 — 96
 Room Thermometer11 — 62
 Scope for "Scopes: 22 oscilloscopes tested"10 — 14
 Sensors for Humans05 — 50
 Sensors go Systematic05 — 44
 Servo Tester using a 453807 — 64
 Simple Audio Peak Detector12 — 37
 Soundcard as Test Instrument10 — 40
 The Sense Resistor01 — 56
 Two-LED Voltage Indicator07 — 73
 Voltage & Continuity Tester03 — 50
 Voltage Levels Control Relays07 — 52
 Voltage Monitor12 — 38
 Wind Speed & Direction Meter05 — 24
 Wireless Tyre Pressure Monitoring05 — 69

Corrections and Updates

Atmel Programmer (09/2001)10 — 09
 Canon EOS Cameras go Wireless (07/2004)10 — 09
 Digital Logic Compared (12/2003)02 — 41
 Directional Microphone (11/2003)01 — 74
 Electric Charge Meter (11/2003)01 — 74
 FMS Flight Simulator Encoder (01/2004)05 — 73
 Lambda Probe Readout
 for Carburettor Tuning (07/2003)05 — 73
 LED Roulette (01/2004)05 — 73
 MIDI Lights and Slide Control (03/2001)06 — 73
 PICProg2003 FAQ (09/2003)02 — 41
 Rev Counter for R/C Models (11/2003)01 — 74
 Seconds and Minutes from DCF77 (07/2003)05 — 73
 Stepper Motors Uncovered (2) (12/2003)05 — 73
 Supercap Battery01 — 74
 USB-RS232 Interface (04/2003)01 — 74

For rapid development of electronic systems...

NEW

E-BLOCKS

E-blocks are small circuit boards each of which contains a block of electronics typically found in an electronic system. E-blocks can be programmed in C, Assembly and are tightly integrated with Flowcode - which instantly converts flow charts into PICmicro code.



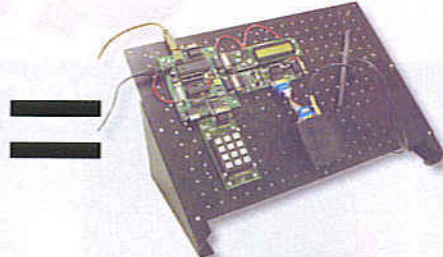
Low cost USB PIC programmers
(Starting at £27, model shown £55)



..plus a wide range of add-on boards and accessories...



.....plus incredibly easy to use software based on flow charts...



...equals extremely rapid system development: like this mobile text messaging system built from E-blocks.

...and solutions for learning and development...

Hands on training courses



training courses in PICmicro(R) programming, CPLD programming and ECAD

Resources for learning CPLD programming



Complete courses in electronics and programming



Equipment for datalogging, control and PC 'scopes



...and more at:



...see www.matrixmultimedia.co.uk

Matrix Multimedia Limited
sales@matrixmultimedia.co.uk
t. 0870 700 1831 f. 0870 700 1832



ECD (Edition 2) Elektor's Components Database

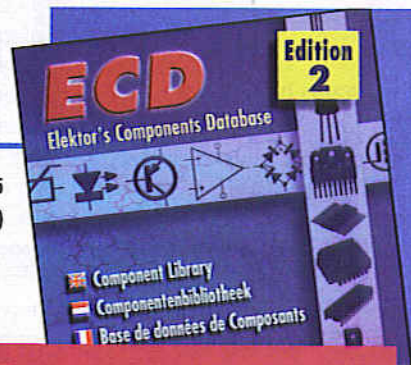
The program package consists of four databanks covering ICs, transistors, diodes and optocouplers. A further nine applications cover the calculation of, for example, zener diode series resistors, voltage regulators, voltage dividers and AMVs. A colour band decoder is included for determining resistor and inductor values.

The ECD gives you easy access to design data for over 5,700 ICs, more than 35,000 transistors, FETs, thyristors and triacs, just under 25,000 diodes and 1,800 optocouplers.

All databank applications are fully interactive, allowing the user to add, edit and complete component data.

This CD-ROM (Windows XP compatible) is a must-have for all electronics enthusiasts.

RRP £12.95
(US\$ 22.90)



Now extended with even more ICs, transistors, FETs, thyristors and triacs!

Order now using the Order Form in the Readers Services section in this issue.

Elektor Electronics (Publishing)
P.O. Box 190
Tunbridge Wells TN5 7WY England
Telephone +44 (0) 1580 200 657
Fax +44 (0) 1580 200 616

See also
www.elektor-electronics.co.uk

QUIZZ'AWAY



Professor Ohsmann in e-magician's disguise during his Christmas lecture when the 'Wond'rous Light Chain' was first demonstrated.

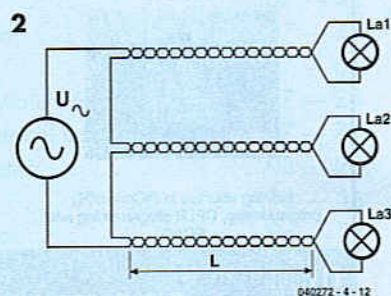
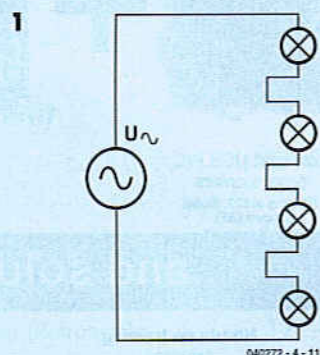
Wond'rous Light Chain

With the Festive Season upon us, it seems fitting to devote this month's Quizz'away instalment to the perennial problems associated with Christmas tree lighting. Conventionally, lamps are connected in series (**Figure 1**) and this immediately creates a problem: when one lamp fails, it breaks the series network and all other lamps will also go out. But that's not all, because in the dark you will have hard time finding the defective lamp in the first place. A solution to this problem could be to simply wire up the lamps as shown in **Figure 2**.

Let's assume each lamp is powered by way of a cable with a length L of 4.5 m. Twisted-pair wires from Ethernet cables are used because of their attractive colours. Close to the power supply, the cable ends are connected in series again. A photograph of the practical version is shown in **Figure 3**. Normal lamps rated at 12 V, 0.1 A are used.

So far so good; let's connect the lot to a suitable 36 VAC power supply. This time, much to everyone's surprise, failure or removal of one lamp does not cause overall darkness — all other lamps in the Wond'rous Light Chain remain on and even light a little brighter! In this manner, the total brightness remains almost constant and the Christmas festivities are not spoiled, plus you will be able to easily spot the faulty lamp.

Can you explain what is happening?



Quizz'away and win!

Send in the best answer to this month's Quizz'away question and win one of three

Varta Charge & Go Battery Chargers complete with 4 'Go' AA batteries worth £50.

All answers are processed by Martin Ohsmann in co-operation with Elektor editorial staff. Results are not open to discussion or correspondence and a lucky winner is drawn in case of several correct answers.



Please send your answer to this month's Quizz'away problem, by email, fax or letter to:

Quizz'away, Elektor Electronics,
PO Box 190,
Tunbridge Wells TN5 7WY, England.
Fax (+44) (0)1580 200616.
Email: editor@elektor-electronics.co.uk,
subject: 'quizzaway 12-04'.

The closing date is
22 December 2004

(solution published in February 2005 issue). The outcome of the quiz is final. The quiz is not open to employees of Segment b.v., its business partners and/or associated publishing houses.

As of the September 2004 issue Quizz'away is a regular feature in *Elektor Electronics*.
The problems to solve are supplied by
Professor Martin Ohsmann of Aachen Technical University.

Solution to the October 2004 problem (p. 79; very high gain two-stage transistor amplifier)

The circuit diagram clearly shows that the first transistor is operated in common-emitter configuration. The second transistor is operated in common-collector mode hence does not contribute to the voltage gain.

By approximation, the voltage gain equals the product of T1's slope (in biased configuration) and its operating resistance. The slope (or transconductance) S is proportional to the collector resistance. For a high voltage amplification A , a high collector current and a high operating resistance are required. In the classical circuit, the above product is the voltage drop across the collector resistor and therefore limited by the supply voltage. Typically, the collector will be at half the supply voltage. Dividing it by the thermal voltage $U_T = 26 \text{ mV}$ results in a maximum amplification $A = 6 \text{ V} / 26 \text{ mV} = 230$.

Here the circuit leaves the beaten track, the second stage acting as the operating resistance, i.e., presenting a (virtually) constant-current load to the first transistor. The crux is resistor R_4 which takes an unusually small value. Because its base voltage is an almost constant 0.7 V , T2 keeps the voltage drop across R_4 virtually constant. The current through R_4 so determines T1's collector current at about $0.7 \text{ V} / 4.7 \text{ k}$

$= 150 \mu\text{A}$ independent of the input signal. In this way, the second stage forms a very high-impedance load that, unlike a fixed resistor, will allow a relatively high collector current to flow. In order to arrive at a quantitative result, we have to calculate the internal resistance of the load. This requires looking at it in greater detail and accounting for the small-signal resistances of the transistors operating at their biasing points. The diagram in **Figure 4** shows the small-signal equivalent circuit comprising all relevant components. Resistor $R_4 = 4\text{k}\Omega$ is in parallel with T2's base-emitter resistance $r_{BE} \approx 2\text{k}\Omega$. T2's gain is just below unity (in this case, $1 - 1/250 = 0.996$), so that the input resistance of the second stage is about 250 times $R_4 // r_{BE}$, which works out at about $400 \text{ k}\Omega$. The internal resistance of the second stage is effectively in par-

allel with the output resistance $r_{CE} \approx 1 \text{ M}\Omega$ of the first stage. The result is that T1 sees a small-signal operating resistance of $1 \text{ M}\Omega // 400 \text{ k}\Omega$ or about $300 \text{ k}\Omega$. Now we can calculate the slope S of T1 as

$$S = I_C / U_T = 150 \mu\text{A} / 26 \text{ mV}$$

$$S = 0.0058 \Omega^{-1}$$

hence

$$A = 300 \text{ k}\Omega \times 0.0058 = 1740$$

which is quite close to the measured value of 1800.

Source:

James D. Keith,
The 'Starved-Circuit' Amplifier is revived in a transistor version,
Electronic Design April 2001, pp. 131.

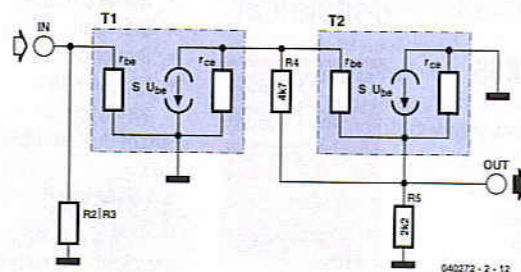


Figure 4. Small-signal equivalent circuit.

The internet site for all professionals and hobbyists
actively engaged in electronics and computer technology

www.elektor- electronics.co.uk

ELEKTOR ELECTRONICS

Magazine, books, CD-ROM, PCBs & software, games, hints & tips, advertisements, competitions, projects, more projects online.

How Over Max 00

The publication for all professionals and hobbyists actively engaged in electronics and computer technology

- + New: 18-Month Subscription 17 issues and a free MP3 player
- + Precision Measurement Central / Micro Webserver
- + Test your knowledge of electronics, play Andy's Quest!
- + New CD-ROM: Robotics
- + Flash Microcontroller Starter Kit, stuffed & tested PCB only £ 59.00
- + Gameboy Digital Sampling Oscilloscope back in stock!
- + Trial Subscription (3 issues) for just £ 7.50

elektor electronics

Get friend the CHARGING BATTERY

by Tom van der Meer

VEHICLE BATTERY, 1000mAh

To book your website space contact **Bernard Hubbard**

Tel 00 44 (0)1242 510760 Fax: 0044 (0)1242 226626

ALLGOOD TECHNOLOGY

www.allgoodtechnology.com

Low-medium volume sub-contract assembly. SMT specialist since 1990. Customers include military, aerospace etc. 0402 to BGA capabilities, automatic assembly and hand built prototypes.

AUDIOXPRESS

www.audioXpress.com

The premier do-it-yourself audio magazine for 35 years.

- Hands-on projects
- Helpful articles
- Expert advice
- New technologies

Full range of books, back issues on CD



BETA LAYOUT

www.pcb-pool.com

Beta layout Ltd Award-winning site in both English and German offers prototype PCBs at a fraction of the cost of the usual manufacturers' prices.



BURN TECHNOLOGY LTD

<http://www.burntec.com>

Test & Measurement Equipment Distributors

- Anemometers • Clamp Meters
- Light Meters • LCR Meters
- Sound Meters • Multimeters
- Device Programmers

Burn Technology Limited, Winfrith Technology Centre, Dorchester, Dorset, DT2 8DH
Tel: (01305) 852090 Fax: (01305) 851940



COMPUCUT

<http://www.compucutters.com>

Computer Numerical Control from your home PC. Great for tricky jobs, and accurate repetitive work. We supply: - Software - Interface - Manual - Support
Price £250 plus postage.

CONFORD ELECTRONICS

<http://www.confordelec.co.uk>

Lightweight portable battery/mains audio units offering the highest technical performance. Microphone, Phantom Power and Headphone Amplifiers. Balanced/unbalanced signal lines with extensive RFI protection.

DANBURY ELECTRONICS

<http://www.mc-h.demon.co.uk/transformers.html>

Here you will find our mains and output transformers in Mike Holme's range of valve/tube amplifiers (PP & SE). Also circuits, parts lists, chassis, advice.

DEBUG INNOVATIONS UK

<http://www.debuginnovations.com>

Introducing hassle free prototyping

- RF / Analogue
- High speed digital
- Surface mount
- 0.1" grid
- Power planes
- Unique patch architecture

Forget custom PCBs, start your project now!



EASYSYNC

<http://www.easysync.co.uk>

EasySync Ltd sells a wide range of single and multi-port USB to RS232/RS422 and RS485 converters at competitive prices.



ELEXOL PTY LTD

<http://www.elexol.com>

Developer and manufacturer of

- USB Development Modules.
- USBMOD Series.
- USBIO24 Digital Input/Output Module.
- MP3 Solutions.
- MP3MOD4 Module.

Distributor inquiries welcome.



ELNEC

www.elnec.com

- device programmer manufacturer
- selling through contracted distributors all over the world
- universal and dedicated device programmers
- excellent support and after sale support
- free SW updates
- once a months new SW release
- reliable HW
- three years warranty for most programmers



ERVAN INTERNATIONAL CO.

<http://www.ervan-int.com>

Power Electronics and Solar Energy Design and Consultants. Also offers;

- Discount prices of:
- Ultra Bright LEDs
 - PCB LED Cluster Kits
 - Laser Pointers
 - Solar Modules
 - Batteries

Compiler, Prog 'n Drop Visual Development and a well featured debugging environment.

FOREST ELECTRONIC DEVELOPMENT

<http://www.fored.co.uk>

FED supply PIC programmers, Basic modules, and development software including a PIC C

FUTURLEC

<http://www.futurlec.com>

Save up to 60% on

- Electronic Components
 - Microcontrollers, PIC, Atmel
 - Development Boards, Programmers
- Huge range of products available on-line for immediate delivery, at very competitive prices.

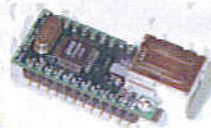


FUTURE TECHNOLOGY DEVICES

<http://www.ftdichip.com>

FTDI designs and sells USB-UART and USB-FIFO interface i.c.'s.

Complete with PC drivers, these devices simplify the task of designing or upgrading peripherals to USB



HAMMOND ELECTRONICS

<http://www.hammondmfg.com>,
sales@hammond-electronics.co.uk

tel: 01256 812812.

Small die-cast, plastic and metal enclosures for the hobbyist and professional. Widely available from major distributors.



ILP ELECTRONICS LIMITED

<http://www.ilpelectronics.com>

ILP has been in the audio industry for over 30 years primarily manufacturing both standard and custom audio modules and pre-amplifiers.



IPEVA LIMITED

<http://www.ipeva.com>

IPEVA sell low cost USB FPGA development boards. IPEVA provide Design Consultancy for Embedded Systems, OpenCores-IP, FPGA, ASIC, HDL translation and migration. Tel. 0870 080 2340



KOMCARD

<http://www.komcard.com>

Learn how to design a PCI card, and write a PCI device driver. We lead you step by step with practical PCI projects you build.

LONDON ELECTRONICS COLLEGE

<http://www.lec.org.uk>

Vocational training and education for national qualifications in Electronics Engineering and Information Technology (BTEC First National, Higher National NVQs, GCSEs and Advanced Qualifications). Also Technical Management and Languages.

MQP ELECTRONICS

<http://www.mqpelectronics.co.uk>

Leaders in Device Programming Solutions.

- Online shop
- Low Cost Adapters for all Programmers
- Single Site and Gang Programmers
- Support for virtually any Programmable Device



NEW WAVE CONCEPTS

<http://www.new-wave-concepts.com>

Software for hobbyists:

- Livewire circuit simulation software, only £29.36
- PCB Wizard circuit design software, only £29.36

Available from all Maplin Electronics stores and www.maplin.co.uk



PCB WORLD

<http://www.pcbworld.org.uk>

World-class site: Your magazine project or prototype PCB from the artwork of your choice for less. Call Lee on 07946 846159 for details. Prompt service.

PEAK ELECTRONIC DESIGN LIMITED

www.peakelec.co.uk

Cool component test gear for your passives and semis. Instant identification, measurement and validation. Connect anyway round. The Peak Atlas family starts from £59.



PHYZX

<http://www.phyzx.co.uk>

Automatically Plot and Drill PCB's

- Accurately
- Repeatably
- Mains operated
- Robust Steel Construction
- Gerber RS274X compatible
- Full XYZ RS232 Control
- Including Accessories
- Complete system Under £500

PICDOS™

<http://www.picdos.com>

Hard disk, DOS & files on PIC16F877.

SmartMedia™ based.

No complex hardware just wires.

Run-Debug existing PIC code & interrupts.

Free schematics, software, debugger



QUASAR ELECTRONICS

www.QuasarElectronics.com

Over 300 electronic kits, projects and ready built units for hobby, education and industrial applications including PIC/ATMEL programming solutions. Online ordering facilities. Tel: +44 (0) 870 246 1826 Fax: +44 (0) 870 460 1045 Email: sales@QuasarElectronics.com



ROBOT ELECTRONICS

<http://www.robot-electronics.co.uk>

- Ultrasonic rangefinders
- Motor H-Bridge controllers
- Magnetic Compasses
- RC servos and controllers
- PIC programmers and components
- Electronic Design/Development and Manufacturer to industry



TECHNOBOTS

<http://www.technobots.co.uk>

Welcome to Technobots - the one stop shop specially for the remote operated robot builder, radio control and engineering hobbyist.



TELNET

<http://www.telnet.uk.com>

The site shows graphically Telnets wide range of quality second-user test and measurement equipment, including oscilloscopes and spectrum analysers.



ULTRALEDS

<http://www.ultraleds.co.uk>

tel: 0871 7110413

Large range of low cost Ultra bright leds and Led related lighting products. Major credit cards taken online with same day despatch.



USB INSTRUMENTS

<http://www.usb-instruments.com>

USB Instruments specialises in PC based instrumentation products and software such as Oscilloscopes, Data Loggers, Logic Analysers which interface to your PC via USB.

VIEWCOM

<http://www.viewcom.f9.co.uk>

tel: 020 8471 9338 fax: 020 8552 0946

- Mail Order supplier of:
- Integrated Circuits and Components.
- Kit and parts for Elektor projects.
- Transistors, FETs, Capacitors, Resistors, Crystals, etc and hard to find devices.

Viewcom Electronics, 77 Upperton Road West, Plaistow, London E13 9LT

PROMOTE YOUR WEBSITE HERE

Elektor Electronics have a feature to help customers to promote their websites, Net Links - a permanent feature of the magazine where you will be able to highlight your site on a regular basis.

- For just £120 + VAT (£10.90 per issue for eleven issues) Elektor will publish your company name, a 25-word description and your website address.

- For £300 + VAT for the year (£27.27 per issue for eleven issues) we will publish the above plus run a 3cm deep full colour screen shot from your site.

Places are limited and spaces will go on a strictly first come, first served basis, please fax back your order today!

I wish to promote my company, please book my space:

- Text insertion only for £120 + VAT
- Text and photo for £300 + VAT

NAME: ORGANISATION:

JOB TITLE:

ADDRESS:

.....

..... TEL:

PLEASE COMPLETE COUPON BELOW AND FAX BACK TO 00-44-(0)1242 226626

COMPANY NAME

WEB ADDRESS

25-WORD DESCRIPTION

.....

.....

ELECTRONIC ENTHUSIASTS

Only one magazine tests its projects and circuits in its own lab before publication

ELEKTOR ELECTRONICS
THE ELECTRONICS &
COMPUTER MAGAZINE

SUBSCRIBE TODAY!

Contact:

Worldwide Subscription Service Ltd,
Unit 4 Gibbs Reed Farm, Pashley Road, Titchhurst TN5 7HE
Telephone: (+44) (0) 1580 200657
Fax: (+44) (0) 1580 200616

Or visit our Website: www.elektor-electronics.co.uk

Please Note

Software items marked @ are available from the Free Downloads page of the Publishers' website at www.elektor-electronics.co.uk. Diskettes are supplied for the convenience of readers without Internet access.

	£	US \$
READY-BUILT PROJECTS		
Clarity 300-W Class-T Amplifier 030217-91 Amplifier board with SMDs pre-fitted; cores for L1 & L2	34.50	55.70
Flash Microcontroller Starter Kit 010208-91 ready-assembled PCB incl. software, cable, adapter & related articles	69.00	112.50
Gameboy Digital Sampling Oscilloscope (GBDSO) 990082-91 ready-assembled board, incl. the PC software and related articles	90.00	160.00
Micro Webserver with MSC1210 Board 030060-91 Microprocessor Board, ready-assembled 044026-91 Network Extension Board, ready-assembled 044026-92 Combined package (030060-91 & 044026-91 & related articles)	69.00 41.95 103.50	112.50 73.95 184.95
EVERGREENS		
Elektor Electronics Help Disk 966022-1 Disk, Windows version	8.15	14.45
Elektor Electronics Item Tracer 1985-2003 046003-11 contents database (disk, Windows version)	8.15	14.35
Universal Prototyping Boards UPBS-1 PCB UPBS-2 2 PCBs UPBS-4 4 PCBs	2.45 4.10 6.55	4.30 7.25 11.55
No. 338 DECEMBER 2004		
I²C Home Bus @ 040333-1 PCB @ 040333-11 Disk; source & hex code files	12.10 4.90	21.40 8.65
LED Christmas Tree 010019-91 Kit of PCB & parts	6.25	11.00
USB / I²C Interface @ 040334-1 PCB @ 040334-11 Disk; project software @ 040334-21 24LC64, programmed	7.65 4.90 4.80	13.50 8.65 8.50
No. 337 NOVEMBER 2004		
Noise Suppression Filters @ 030217-3 PCB	13.35	23.65
Vehicle Battery Jogger @ 044021-1 PCB	6.75	11.95
No. 336 OCTOBER 2004		
Clarity 300-W Class-T Amplifier @ 030217-2 PCB	15.90	28.10
Four in a Row @ 030146-1 PCB @ 030146-11 Disk, source & hex code @ 030146-41 AT90S2313-10PC, programmed	13.15 4.90 7.40	23.25 8.65 13.10
No. 335 SEPTEMBER 2004		
Rolling Dice @ 040248-1 PCB set (6 sides) @ 040248-11 Disk, source & hex files @ 040248-41 AT89C2051-12PI, programmed	13.75 4.90 8.70	24.30 8.65 15.40
Swiss Army Knife @ 030448-1 PCB set; MCU, RS232, USB @ 030448-11 Disk set (a+b), all project software @ 030448-41 AT89S8252-24PC, programmed	9.50 6.50 25.85	16.80 11.50 45.75
No. 334 JULY/AUGUST 2004		
IR Servo Motor Interface @ 020356-11 Disk, RCX program and PIC source & object code @ 020356-41 PIC16F628, programmed @ 020356-42 PIC16F628, programmed	4.90 10.00 10.00	8.65 17.70 17.70
Micro Webserver with MSC1210 Board @ 044026-1 Network Extension Board, PCB only	10.45	18.50
R/C Analyser @ 030178-11 Disk, PIC source code @ 030178-41 PIC16F627-4CP, programmed	4.90 10.25	8.65 18.15
USB Converter Controlled via HTML @ 044034-11 Disk, example programs	4.90	8.65
Working with ActiveX @ 030431-11 Disk	4.90	8.65
No. 333 JUNE 2004		
Multi Programmer @ 020336-1 PCB @ 020336-11 Disk, firmware & source code	8.80 4.90	15.60 8.65
Pocket Pong @ 030320-11 Disk, PIC software	4.90	8.65

GENERAL

Printed-circuit boards (PCBs), self-adhesive front panel foils, ROMs, EPROMs, PALs, GALs, microcontrollers and diskettes for projects which have appeared in *Elektor Electronics* may be ordered using the Order Form printed opposite. The form may also be used to order books (private customers only).

► The artwork for making a PCB which is not available ready-made through the Readers Services may be found in the relevant article.

► EPROMs, GALs, PALs, (E)PLDs, MACHs, PICs and other microcontrollers are supplied ready-programmed.

Prices and item descriptions subject to change. The publishers reserve the right to change prices without prior notification. Prices and item descriptions shown here supersede those in previous issues. E & O E

PAST ISSUES

Past issues, if available, should be ordered from **Worldwide Subscription Service Ltd, Unit 4, Gibbs Reed Farm, Pashley Road, TICEHURST TN5 7HE, England, telephone (+44) 1580 200657, fax (+44) 1580 200616, email wwss@wwss.demon.co.uk**. Prices of past issues (except July/August and December), including postage for single copies, are £4.75 (UK and Eire); £5.30 (air mail Europe); £6.10 (airmail outside Europe). Prices of past July/August and December issues, including postage for single copies, are £6.65 (UK and Eire); £7.35 (airmail Europe); and £8.45 (airmail outside Europe).

PAST ARTICLES

For information on past articles, please contact our Editorial and Administrative Offices, telephone (01580) 200657, fax 200616, email sales@elektor-electronics.co.uk.

	£	US \$
Rail Router @ 030403-1 PCB @ 030403-11 Disk, PIC & PC software @ 030403-41 PIC16F877-20/P, programmed	10.80 4.90 21.45	19.15 8.65 37.95
Smooth Operator @ 030209-11 Disk, PIC software @ 030209-41 PIC16F84-10P, programmed	4.90 14.70	8.65 26.00
No. 332 MAY 2004		
Design Your Own IC @ 030385-1 PCB	15.65	27.70
High-End Preamp @ 020046-1 PCB — main board @ 020046-2 PCB — relay board @ 020046-3 PCB — PSU board @ 020046-11 Disk @ 020046-41 PIC18LF452-1/L, programmed	8.45 7.50 6.70 4.90 28.20	14.95 13.30 11.85 8.65 49.90
Wind Speed & Direction Meter @ 030371-11 Disk, project software @ 030371-41 PIC16F871, programmed	4.90 17.55	8.65 31.05
No. 331 APRIL 2004		
Drop-in Microcontroller Board @ 020148-1 PCB @ 020148-11 Disk, sample project file	8.60 4.90	15.20 8.65
Pandora's Sound & Music Box @ 030402-1 PCB @ 030402-11 Disk, source and hex code files @ 030402-41 PIC16F871/P, programmed	10.60 4.90 20.55	18.75 8.65 36.40
VHF-Low Explorer @ 020416-1 PCB	8.80	15.50
No. 330 MARCH 2004		
Build Your Own DRM Receiver @ 030365-1 PCB @ 030365-11 Disk, DRM.exe program	9.10 4.90	16.10 8.65
Code Lock @ 020434-1 PCB @ 020434-11 Disk, source & hex code files @ 020434-41 Pic16F84A-4P, programmed	9.60 4.90 14.70	16.95 8.65 26.00
Hands-on CPLDs (2) @ 030052-1 PCB @ 030052-11 Software @ 030052-41 EPM7128SLC84-15, programmed	8.90 4.90 33.40	15.75 8.65 59.10
Multichannel Failsafe for Radio Controlled Models @ 020382-11 Disk, source code file @ 020382-41 AT89C52-24JI, programmed	4.90 8.70	8.65 15.40
Multifunction Frequency Meter @ 030136-1 PCB @ 030136-11 Disk, project software @ 030136-41 AT90S2313-10PC, programmed	9.35 4.90 7.95	16.55 8.65 14.05
No. 329 FEBRUARY 2004		
Digital Alarm Clock @ 030096-11 Disk, PIC source and hex code @ 030096-41 PIC16F84-04/p, programmed	4.90 15.20	8.65 26.90
iAccess @ 020163-11 Disk set, source code and control software @ 020163-41 AT89S8252-12PC, programmed	7.50 13.90	13.30 24.60
Simple 12-to-230V Power Inverter @ 020435-1 PCB	8.50	15.05
Touch-controlled Switch @ 030214-11 Disk, PIC source code @ 030214-41 PIC12C508A04/S08, programmed	4.90 6.15	8.65 10.90
No. 328 JANUARY 2004		
64-K 80C552 Flash Board @ 030042-1 PCB	9.35	16.55

	£	US \$
@ 030042-11 Disk, misc. project software	4.90	8.65
030042-21 29F010, programmed	10.00	17.70
030042-31 GAL 16V8D15QR, programmed	6.10	10.80

Climate Logger

@ 030076-1 PCB	7.75	13.70
@ 030076-11 Disk, Windows software	4.90	8.65

FMS Flight Simulator Encoder

@ 030066-1 PCB	10.20	18.05
030066-41 87LPC767BN, programmed	17.05	30.15

LED Roulette

@ 030168-1 PCB	17.90	31.60
@ 030168-11 Disk, source and hex files	4.90	8.65
030168-41 89C2051-12PC, programmed	8.05	14.25

Multi-event Alarm Clock

@ 020304-11 Disk, C (source) hex files	4.90	8.65
020304-41 AT89C2051-12PC, programmed	6.10	10.80

Stepper Motors Uncovered

020127-41 PIC16F873-20/SP	19.10	33.80
---------------------------	-------	-------

No. 327 DECEMBER 2003

FM Remote Control Transmitter & Receiver

@ 034044-1 PCB	10.20	18.05
----------------	-------	-------

LED Christmas Decoration

@ 030157-1 PCB	7.55	13.35
----------------	------	-------

P87LPC76x Programmer

@ 030313-11 Disk, project software	4.90	8.65
------------------------------------	------	------

Project Timekeeper

@ 020350-11 Disk, source & object code files	4.90	8.65
020350-41 PIC16F84-10P, programmed	13.15	23.25

Stepper Motors Uncovered (2)

@ 020127-11 Disk, source code file	4.90	8.65
------------------------------------	------	------

Universal Clock Generator

@ 020395-11 Disk, source code file	4.90	8.65
------------------------------------	------	------

Wireless RS232 Link

@ 030204-1 PCB	8.70	15.40
----------------	------	-------

No. 326 NOVEMBER 2003

Precision Measurement Central

@ 030060-4 PCB	6.70	15.40
----------------	------	-------

No. 326 NOVEMBER 2003

Rev Counter for R/C Models

@ 024111-1 PCB	17.50	31.00
024111-11 Disk, source and hex code	4.90	8.65
024111-41 89C2051-12PC, programmed	8.85	15.65

Running Text Display

@ 020407-11 Disk, source and hex code	4.90	8.65
---------------------------------------	------	------

USB Analogue Converter

@ 020374-1 PCB	7.65	13.50
@ 020374-11 Disk, hex code and Windows software	4.90	8.65
020374-41 PIC16C765, programmed	13.25	23.45

No. 325 OCTOBER 2003

DDS RF Signal Generator

@ 020299-2 PCB, control/supply	12.10	21.45
020299-41 AT90S8515 8PC, programmed	30.55	54.05

Minimalist Induction-Balance Metal Detector

@ 020290-1 PCB	8.95	15.85
----------------	------	-------

Xilinx PROM Programmer

@ 010109-11 Software	4.90	8.65
----------------------	------	------

No. 324 SEPTEMBER 2003

ATV Picture Generator

@ 020295-11 Disk, source & hex code files	4.90	8.65
020295-41 AT90S8515-8PC, programmed	15.20	
26.90 020295-42 AT90S1200-12PC, programmed	13.90	
24.60		

DTMF Remote Telephone Switch

@ 020294-1 PCB	11.65	20.60
@ 020294-11 Disk, project software	4.90	8.65
26.00 020294-41 PIC16F84A-20/P, programmed	14.70	

LC Display with I2C Bus

@ 030060-2 PCB	7.35	13.00
----------------	------	-------

PICProg 2003

@ 010202-1 PCB	9.05	16.00
@ 010202-11 Disk, Windows software	4.90	8.65
010202-41 PIC16F874-20/P, programmed	23.55	41.65

Polyphonic Doorbell

@ 020354-11 Disk, project software	4.90	8.65
25.55 020354-41 PIC16F84A-10/P, programmed	14.45	

Precision Measurement Central

030060-91 Ready-assembled & tested board	69.00	
--	-------	--

Valve Preamp (1)

@ 020383-1 PCB, amplifier board	11.55	20.40
---------------------------------	-------	-------

	£	US \$
@ 020383-2 PCB, power supply board	11.40	20.20
@ 020383-3 PCB, I/O board	10.10	17.80

No. 323 JULY/AUGUST 2003

Add a Sparkle

@ 020293-11 Disk, HEX and source files	4.90	8.65
020293-41 PIC12C509A-04/SM, programmed	7.40	13.10

AT90S2313 Programmer

@ 034036-1 PCB	9.05	16.00
----------------	------	-------

Hard Disk Selector

@ 034050-1 PCB	9.45	16.75
----------------	------	-------

Mini Running Text Display

@ 020365-11 Disk, source code file	4.90	8.65
------------------------------------	------	------

Mini Test Chart Generator

@ 020403-11 Disk, PIC source code	4.90	8.65
-----------------------------------	------	------

Programming Tool for ATtiny15

@ 030030-1 PCB	7.55	13.35
@ 030030-11 Disk, project software	4.90	8.65

Quad Bridge Car Amp

@ 034039-1 PCB	8.70	15.35
----------------	------	-------

Remote Light Control with Dimmer

@ 020337-11 Disk, HEX and source files	4.90	8.65
020337-41 AT89C2051-12, programmed	6.25	11.05

No. 322 JUNE 2003

AVR TV Tennis

@ 030026-1 Main PCB	8.70	15.40
@ 030026-2 Pushbutton PCB	8.60	15.25
@ 030026-11 Disk, AVR source code	4.90	8.65
030026-41 AT90S8515, programmed	15.20	26.90

Electronic Knotted Handkerchief

@ 020308-11 Disk, PC and controller software	4.90	8.65
020308-41 AT90S2313-10PC, programmed	12.60	22.30

Low-Cost LCD Controller (2)

@ 020114-1 PCB	8.70	15.35
@ 020114-11 Disk, project software	4.90	8.65

Night Light Control

@ 020115-11 Disk, hex and source code	4.90	8.65
020115-41 AT90S2313-10PC, programmed	12.85	22.75

Universal XA Development Board

@ 010103-1 PCB	13.20	23.35
@ 010103-11 Disk, GAL code, EPROM hex files, XADEV	4.90	8.65
010103-21 EPROM IC8, 27C256-90, programmed	10.00	17.70
010103-22 EPROM IC9, 27C256-90, programmed	10.00	17.70
010103-31 GAL 16V8, programmed	4.80	8.50

No. 321 MAY 2003

Countdown Timer

@ 020296-11 Disk, source and hex code	4.90	8.65
020296-41 AT90S1200, programmed	13.90	24.60

USB Audio Recorder

@ 012013-11 Disk, EPROM hex code	4.90	8.65
012013-21 EPROM 27C512, programmed	12.60	22.30

Valve Final Amp (2)

@ 020071-1 Amplifier board (one channel)	15.10	26.75
@ 020071-2 Power supply board	10.05	17.75

No. 320 APRIL 2003

8-Channel Disco Light Controller

@ 010131-1 PCB	13.10	23.15
010131-41 87C750 or 87C71, programmed	23.00	40.70

Pico PLC

@ 010059-1 PCB	18.70	33.10
@ 010059-11 Disk, test program	4.90	8.65

Single-Chip Tone Control

@ 020054-4 PCB	10.90	19.30
----------------	-------	-------

Switched-Outlet Power Bar with RS232 Control

@ 020298-1 PCB	10.80	19.10
@ 020298-11 Disk, project software	4.90	8.65

Temperature Indicator for the PC

@ 020380-11 Disk, source and compiled code	4.90	8.65
020380-41 AT89C2051, programmed	10.25	18.15

No. 319 MARCH 2003

17 V / 10 A Switch-Mode Power Supply

@ 020054-3 PCB	9.45	16.65
----------------	------	-------

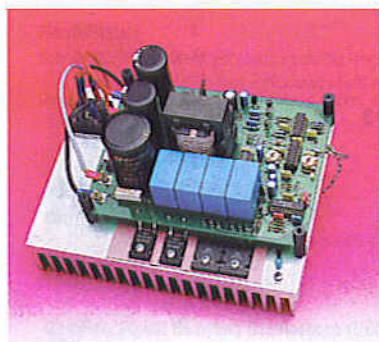
Add-on Switch unit for R/C Models

@ 020126-1 PCB	8.95	15.85
@ 020126-11 Disk, hex and source files	4.90	8.65
020126-41 PIC16C712-041/S0, programmed	15.20	26.90

AVRee Development System

@ 020351-1 PCB	13.20	23.35
@ 020351-11 Disk, example programs	4.90	8.65

Products for older projects (if available) may be found on our web site <http://www.elektor-electronics.co.uk>



Cuk Converter

The Cuk converter is a type of electrical inverter converting power at one DC voltage to power at a different voltage. Unlike most other types of converter which use an inductor, it employs a capacitor as its main energy-storage component. The converter is named after Slobodan M. Cuk of the California Institute of Technology, who first presented the design in the early 1990s.

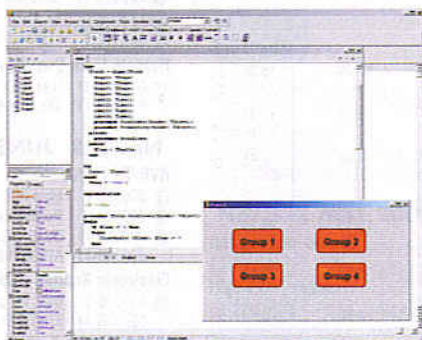
In good Elektor tradition we describe the theory as well as a practical design in the form of an adjustable 0-50V, 0-5A power supply unit. This project was previously announced for publication in the November 2004 issue. It was moved to the January 2005 magazine to fit in with the theme of the month: Power Supplies.

ATX PSU Tester

PC power supplies come at an excellent price/performance ratio, especially when supplied as spare parts (NOS — new old stock). However, before actually using the replacement PSU you will want to be sure it works. The tester we've designed for that purpose excels in ease of use. All ATX PSU output voltages are checked under 'loaded' conditions and the results are displayed on six LEDs for a quick Go/Non-Go indication. Optionally, the exact test results may be viewed on an external LC display.

The Road to Delphi (1)

In the January 2005 we launch a new course on practical use of the Delphi higher programming language for hardware control. For example, we describe in detail how a Delphi program is written on a Windows PC and subsequently transferred to a microcontroller to enable it to run a turnkey application. Further extensive and practice-oriented instalments are planned to form a series of articles you can use as courseware.



Also...

- Super Lithium Batteries;
- Ultrasonic Distance Meter / Liquid Level Gauge;
- PIC18F Microcontroller System;
- Intelligent Clap Switch;
- RFID Read/write Station.

RESERVE YOUR COPY NOW!

The January 2005 issue goes on sale on Friday 17 December 2004 (UK distribution only).

UK subscribers will receive the magazine a few days before this date.

Article titles and magazine contents subject to change.

NEWSAGENTS ORDER FORM

SHOP SAVE / HOME DELIVERY

Please save / deliver one copy of *Elektor Electronics* magazine for me each month

Name:
 Address:
 Post code:
 Telephone:
 Date:
 Signature:



Please cut out or photocopy this form, complete details and hand to your newsagent. *Elektor Electronics* is published on the third Friday of each month, except in July. Distribution S.O.R. by Seymour (NS).

INDEX OF ADVERTISERS

Allgood Technology, Net Links	www.allgoodtechnology.com80
Audioexpress, Net Links	www.audioexpress.com80
Avit Research	www.avitresearch.co.uk4
Beta Layout, Net Links	www.pcb-pool.com	4, 11, 80
Burn Technology LTD, Net Links	www.burntec.com80
CMS	www.cms.uk.com11
Compucut, Net Links	www.compucutters.com80
Conford Electronics, Net Links	www.confordelec.co.uk80
Cricklewood68
Danbury, Net Links	www.mc-h.demon.co.uk80
Debug Innovations, Net Links	www.debuginnovations.com80
Display Electronics	www.distel.co.uk64
Easysync, Net Links	www.easysync.co.uk	4, 80
Elxol, Net Links	www.elxol.com80
Elneq, Net Links	www.elneq.com80
Ervan International, Net Links	www.ervan-int.com80
Eurocircuits	www.thepcbshop.com58
ExpressPCB	www.expresspcb.com11
Forest, Net Links	www.forest.co.uk80
Future Technology Devices, Net Links	www.ftdichip.com80
Futurlec, Net Links	www.futurlec.com80
Hammond Electronics, Net Links	www.hammondmfg.com80
ILP Direct Limited, Net Links	www.ilpelectronics.com80
Ipeva Limited, Net Links	www.ipeva.com80
ITP	www.itp101.com4
Jaycar Electronics	www.jaycarelectronics.co.uk51
Komcard, Net Links	www.komcard.com80
Labcenter	www.labcenter.co.uk88
London Electronics College, Net Links	www.lec.org.uk80
Matrix Multimedia Ltd	www.matrixmultimedia.co.uk77
Milford Instruments	www.milinst.demon.co.uk65
MQP Electronics, Net Links	www.mqpelectronics.co.uk81
Net Links80, 81
New Wave Concepts, Net Links	www.new-wave-concepts.com81
Number One Systems	www.numberone.com66
PAGM	www.pagm.co.uk2
PCB World, Net Links	www.pcbworld.org.uk81
Peak Electronic, Net Links	www.peakelec.co.uk81
PHYZX, Net Links	www.phyzx.co.uk81
Picdos, Net Links	www.picdos.com81
Pico	www.drdaq.com3
Quasar Electronics, Net Links	www.quasarelectronics.com67, 81
RD Research	www.spice-software.com59
Robot Electronics, Net Links	www.robot-electronics.co.uk81
Stewart of Reading	www.stewart-of-reading.co.uk66
Technobots, Net Links	www.technobots.co.uk81
Telnet, Net Links	www.telnet.uk.com81
Ultraleds, Net Links	www.ultraleds.co.uk81
USB Instruments, Net Links	www.usb-instruments.com81
Viewcom, Net Links	www.viewcom.f9.co.uk81

ADVERTISING SPACE for the issue of 18 January 2005 may be reserved not later than 21 December 2004 with Elektor Electronics (Publishing) Advertisement Office – 3 Crescent Terpace – Cheltenham GL50 3PE – England – Telephone 01242 510 760 – Fax 01242 226 626 – e-mail: bernardhubbard@ukonline.co.uk to whom all correspondence, copy instructions and artwork should be addressed.

ORDERING INSTRUCTIONS, P&P CHARGES

Except in the USA and Canada, all orders, except for subscriptions (for which see below), must be sent BY POST or FAX to our Tunbridge Wells address using the Order Form overleaf. On-line ordering: <http://www.ektor-electronics.co.uk>

Readers in the USA and Canada may (but are not obliged to) send orders, except for subscriptions (for which see below),

to the USA address given on the order form. Please apply to Old Colony Sound for applicable P&P charges. Please allow 4-6 weeks for delivery.

Orders placed on our Tunbridge Wells office must include P&P charges (Priority or Standard) as follows:

UK: £4.00 Europe: £5.00 (Standard) or £7.00 (Priority) Outside Europe: £8.00 (Standard) or £12.00 (Priority)

HOW TO PAY

Unless you have an approved credit account with us, all orders must be accompanied by the full payment, including postage and packing charges as stated above. Payment may be made by cheque drawn on a London clearing bank (but see para. 4 below), postal order, VISA, Access, MasterCard or EuroCard (when paying by credit card, the order must go the cardholder's address). Do not send cash through the mail. Cheques and postal orders should be crossed and made payable to 'Elektor Electronics (Publishing)'. Payment may also be made by direct transfer from a private or business Giro account to our **Giro account No. 34-152-3801** by completing and sending to the National Giro Centre, in a National Giro postage paid envelope, a National Giro transfer/deposit form. Do not send Giro transfers direct to us, as this will delay your order. If you live outside the UK, payment may also be made by Bankers' sterling draft drawn on a London clearing bank, Eurocheque made out in pounds sterling (with holder's guarantee card number written on the back), or US or Canadian dollar cheque drawn on a US or Canadian bank. If you pay by Bankers' sterling draft, make clear to the issuing bank that your full name and address MUST be communicated to the London clearing bank. Our bankers are **NAT WEST PLC, 1 St James's Square, Wadhurst, East Sussex TN5 6BH, England. Our account number is 3512 5225, Sorting Code 60-22-15. IBAN code: GB40 NWB K6 022 15 3512 5225 BIC code: NWB KGB 2L**

COMPONENTS

Components for projects appearing in Elektor Electronics are usually available from certain advertisers in this magazine. If difficulties in the supply of components are envisaged, a source will normally be advised in the article. Note, however, that the source(s) given is (are) not exclusive.

TERMS OF BUSINESS

Delivery Although every effort will be made to dispatch your order within 2-3 weeks from receipt of your instructions, we can not guarantee this time scale for all orders. **Returns** Faulty goods or goods sent in error may be returned for replacement or refund, but not before obtaining our consent. All goods returned should be packed securely in a padded bag or box, enclosing a covering letter stating the dispatch note number. If the goods are returned because of a mistake on our part, we will refund the return postage. **Damaged goods** Claims for damaged goods must be received at our Tunbridge Wells office within 10-days (UK); 14-days (Europe) or 21-days (all other countries). **Cancelled orders** All cancelled orders will be subject to a 10% handling charge with a minimum charge of £5.00. **Patents** Patent protection may exist in respect of circuits, devices, components, and so on, described in our books and magazines. Elektor Electronics (Publishing) does not accept responsibility or liability for failing to identify such patent or other protection. **Copyright** All drawings, photographs, articles, printed circuit boards, programmed integrated circuits, diskettes and software carriers published in our books and magazines (other than in third-party advertisements) are copyright and may not be reproduced or transmitted in any form or by any means, including photocopying and recording, in whole or in part, without the prior permission of Elektor Electronics (Publishing) in writing. Such written permission must also be obtained before any part of these publications is stored in a retrieval system of any nature. Notwithstanding the above, printed-circuit boards may be produced for private and personal use without prior permission. **Limitation of liability** Elektor Electronics (Publishing) shall not be liable in contract, tort, or otherwise, for any loss or damage suffered by the purchaser whatsoever or howsoever arising out of, or in connexion with, the supply of goods or services by Elektor Electronics (Publishing) other than to supply goods as described or, at the option of Elektor Electronics (Publishing), to refund the purchaser any money paid in respect of the goods. **Law** Any question relating to the supply of goods and services by Elektor Electronics (Publishing) shall be determined in all respects by the laws of England.

January 2004

SUBSCRIPTION RATES FROM JANUARY 2005 ISSUE

	Standard	Plus
United Kingdom	£39.50	£46.00
Economy Mail		
Rest of the World (excluding Europe)	£51.30	£57.80
Priority Airmail		
Europe & Eire	£52.50	£59.00
Middle East, Africa, Southwest Asia, Central & South America	£64.00	£70.50
Australia, New Zealand, Far East & Pacific Territories	£66.00	£72.50
Airfreight		
USA & Canada only	US\$88.00	US\$98.00

Payment should be made by:

- Cheque or bankers' draft in sterling drawn on a London clearing bank (except in the USA and Canada — see below);
- US\$ cheques drawn on a US or Canadian bank — only by subscribers in the USA or Canada.
- Direct transfer to our bank (NAT WEST PLC, 1 St James's Square, Wadhurst, East Sussex TN5 6BH, England). Our account number is 3512 5225, Sorting Code 60-22-15. IBAN code: GB40 NWB K6 022 15 3512 5225 BIC code: NWB KGB 2L
- Postal order.
- Credit card: VISA, ACCESS, Euro/MasterCard, JCB Electron or Switch.
- Transfer to our Giro Account number 34 152 3801. Giro transfers should be made by completing and sending the appropriate transfer/deposit form to the National Giro Centre (UK) or to your national Giro Centre.

Cheques and postal orders should be made payable to Elektor Electronics (Publishing). Do not send cash through the mail.

SUBSCRIPTION RATES FOR 18-MONTH SUBSCRIPTION

	Standard	Plus
United Kingdom	£59.25	£69.00
Economy Mail		
Rest of the World (excluding Europe)	£76.95	£86.70
Priority Airmail		
Europe & Eire	£78.75	£88.50
Middle East, Africa, Southwest Asia, Central & South America	£96.00	£105.75
Australia, New Zealand, Far East & Pacific Territories	£99.00	£108.75
Airfreight		
USA & Canada only	US\$132.00	US\$147.00

SUBSCRIPTION CONDITIONS

The standard subscription order period is twelve months. If a permanent change of address during the subscription period means that copies have to be despatched by a more expensive service, no extra charge will be made. Conversely, no refund will be made, nor expiry date extended, if a change of address allows the use of a cheaper service. Student applications, which qualify for a 20% (twenty per cent) reduction in current rates, must be supported by evidence of studentship signed by the head of the college, school or university faculty. A standard Student Subscription costs £31.60, a Student Subscription-Plus costs £37.60 (UK only).

Please note that new subscriptions take about four weeks from receipt of order to become effective.

Cancelled subscriptions will be subject to a charge of 25% (twenty-five per cent) of the full subscription price or £7.50, whichever is the higher, plus the cost of any issues already dispatched. Subscriptions cannot be cancelled after they have run for six months or more.

January 2004

Order now using the Order Form in the Readers Services section in this issue.

Elektor Electronics (Publishing)
P.O. Box 190 • Tunbridge Wells TN5 7WY
ENGLAND
Telephone +44 (0) 1580 200 657 • Fax +44 (0) 1580 200 616

More information on www.elektor-electronics.co.uk

FAVOURITE PRODUCTS EVERY MONTH IN THE ELEKTOR SHOP

GIFT TIPS

ITEM TRACER 1985-2003

This 3.5-inch diskette (runs under Windows) contains the digital contents list of all articles published in the *elektor electronics* magazine over the period 1985-2003. It offers an attractive graphics interface and the program allows searching for various keywords or combinations.



DISKETTE £8.25 (US\$ 9.50)

Robotics

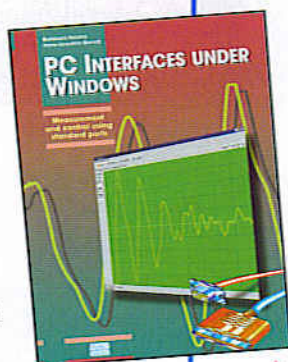
A large collection of data-sheets, software tools, tips, tricks and Internet links to assorted robot constructions and general technical information. All aspects of modern robotics are covered, from sensors to motors, mechanical parts to microcontrollers, not forgetting matching programming tools and libraries for signal processing.



CD-ROM £12.05 (US\$ 21.25)

PC-Interfaces under windows

PC Interfaces can be used for more than just the printer, mouse, modem and joystick! While it was relatively easy to directly access PC interfaces using a DOS computer, under Windows things are not all that simple. This book shows you how it can be done. In addition to exact, practically oriented descriptions of the traditional PC interfaces (what can they do and how they are addressed via software), the authors describe the DIY construction and programming of a number of highly interesting circuits, all of which can be connected to the PC ports.



BOOK £25.95 (US\$ 52.00)

CD-ROM Audio Collection 2

A unique CD-ROM for the true audio lover, containing no fewer than 75 audio designs from the past five year volumes of *elektor electronics* magazine. The articles on the CD-ROM cover test & measurement equipment, amplifiers, digital audio and loudspeaker technology. Highlights include the Crescendo Millennium Edition, Audio-DAC 2000, Audio-ADC 2000 and the IR-S/PDIF Transmitter and Receiver. Using the included Acrobat Reader you are able to browse the articles on your computer, as well as print texts, circuit diagrams and PCB layouts.



£12.05 (US\$ 21.25)

Flashboard Starter kit

Contents of Starter Kit: 89S8252 Flash Micro-controller board (ready-assembled and tested PCB), 300-mA mains adapter, serial cable for COM port and a software-bundle on CD-ROM.



£69.00 (US\$ 112.50)

Article compilation on CD-ROM:

- 89S8252 Flash Microcontroller Board (December 2001)
- Microcontroller Basics Course parts 1-6 (January through June 2002)
- Microcontroller Basics FAQ (September 2002)
- Port Line and ADC Extension for 89S8252 Flash Micro Board (December 2002)
- Chess Computer using the Flash Micro Board (February 2003)

Gameboy Digital Sampling Oscilloscope

The GBDSO is a plug-in module that turns the popular Nintendo Gameboy Classic, Pocket, Colour or Advanced into a versatile dual-channel oscilloscope. An optional link to a PC even allows measured oscillograms to be viewed or stored on the PC.

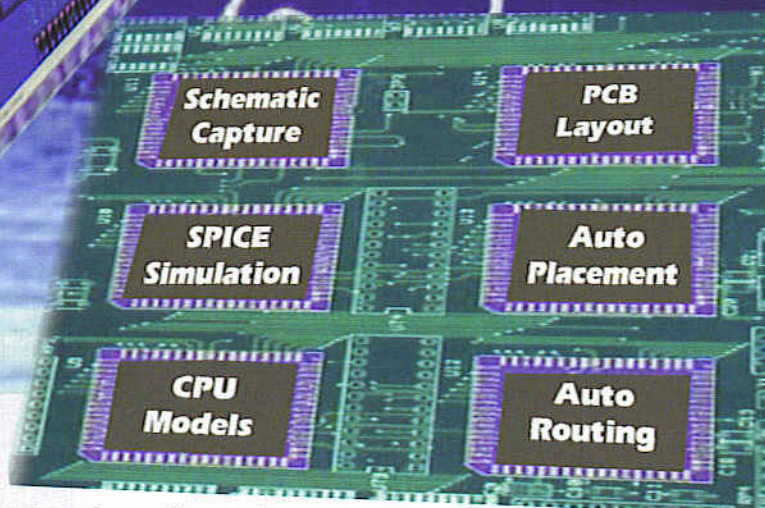
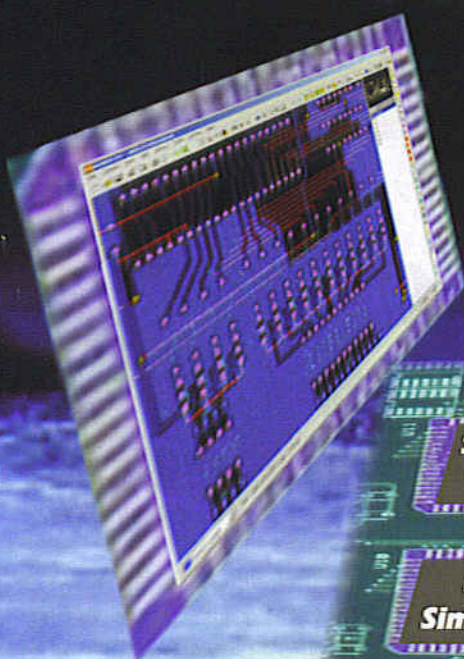
The GBDSO rocked the electronics hobby world and that's why we continue offering ready-built GBDSO modules (including the associated PC software and the magazine articles).



£90.00 (US\$ 160.00)

PROTEUS

The Complete Electronics Design System



VSM
Virtual System Modelling

Schematic & PCB Layout

- Powerful & flexible schematic capture.
- Auto-component placement and rip-up/retry PCB routing.
- Polygonal gridless ground planes.
- Libraries of over 8000 schematic and 1000 PCB parts.
- Bill of materials, DRC reports and much more.

Mixed Mode SPICE Circuit Simulation

- Berkeley SPICE3F5 simulator with custom extensions for true mixed mode and interactive simulation.
- 6 virtual instruments and 14 graph based analysis types.
- 6000 models including TTL, CMOS and PLD digital parts.
- Fully compatible with manufacturers' SPICE models.

Proteus VSM - Co-simulation and debugging for popular Micro-controllers

- Supports PIC, AVR, 8051, and BASIC STAMP micro-controllers.
- Co-simulate target firmware with your hardware design.
- Includes interactive peripheral models for LED and LCD displays, switches, keypads, virtual terminal and much, much more.
- Compatible with popular compilers and assemblers from Microchip, Crownhill, IAR, Keil, and others.

New Features in Version 6.5

- Textual library part search.
- User defined keyboard map.
- CAD/CAM output to ZIP file.
- Bitmap import function.
- Truetype fonts on PCBs.
- Enhanced printer output.

Call Now for Upgrade Pricing

labcenter

Electronics
53-55 Main Street, Grassington, BD23 5AA

Tel: 01756 753440
Fax: 01756 752857

Contact us for
Free Demo CD

NEW
ELECTRA
SHAPE BASED
AUTOROUTER
NOW AVAILABLE

www.labcenter.co.uk
info@labcenter.co.uk